



**WESTON**

RECONNECT WITH REAL FOOD

# VERTICAL SAUSAGE STUFFERS

7 LB: 86-0701-W

11 LB: 86-1101-W

DUE TO CONSTANT FACTORY IMPROVEMENTS, THE PRODUCT PICTURED MIGHT DIFFER SLIGHTLY FROM THE PRODUCT IN THIS BOX. 052115

GENERAL SAFETY RULES .....	3
COMPONENT LIST .....	4-5
GEAR MOVEMENT .....	6
ASSEMBLY .....	7-8
DISASSEMBLY & CLEANING .....	9-10
FOOD SAFETY .....	11
SAUSAGE INFORMATION .....	12
WARRANTY .....	14
REGLAS IMPORTANTES DE SEGURIDAD .....	16
LISTA DE COMPONENTES .....	18-19
MOVIMIENTO DE LOS ENGRANES .....	20
ENSAMBLADO .....	21-22
DESARMADO Y LIMPIEZA .....	23
INSTRUCCIONES DE RELLENADO .....	23-24
SEGURIDAD DE LOS ALIMENTOS .....	25
INFORMACIÓN DE LA SALCHICHA .....	26
INFORMACIÓN DE GARANTÍA WESTON .....	28
IMPORTANTES RÈGLES DE SÉCURITÉ .....	30
DESCRIPTION DE LA PIÈCE .....	32-33
MOUVEMENT DES ENGRENAGES .....	34
MONTAGE .....	35-36
DÉMONTAGE ET NETTOYAGE .....	37
INSTRUCTIONS DE BOURRAGE .....	37-38
SÉCURITÉ ALIMENTAIRE .....	39
INFORMATIONS SUR LES SAUCISSES .....	40
INFORMATION SUR LA GARANTIE .....	41

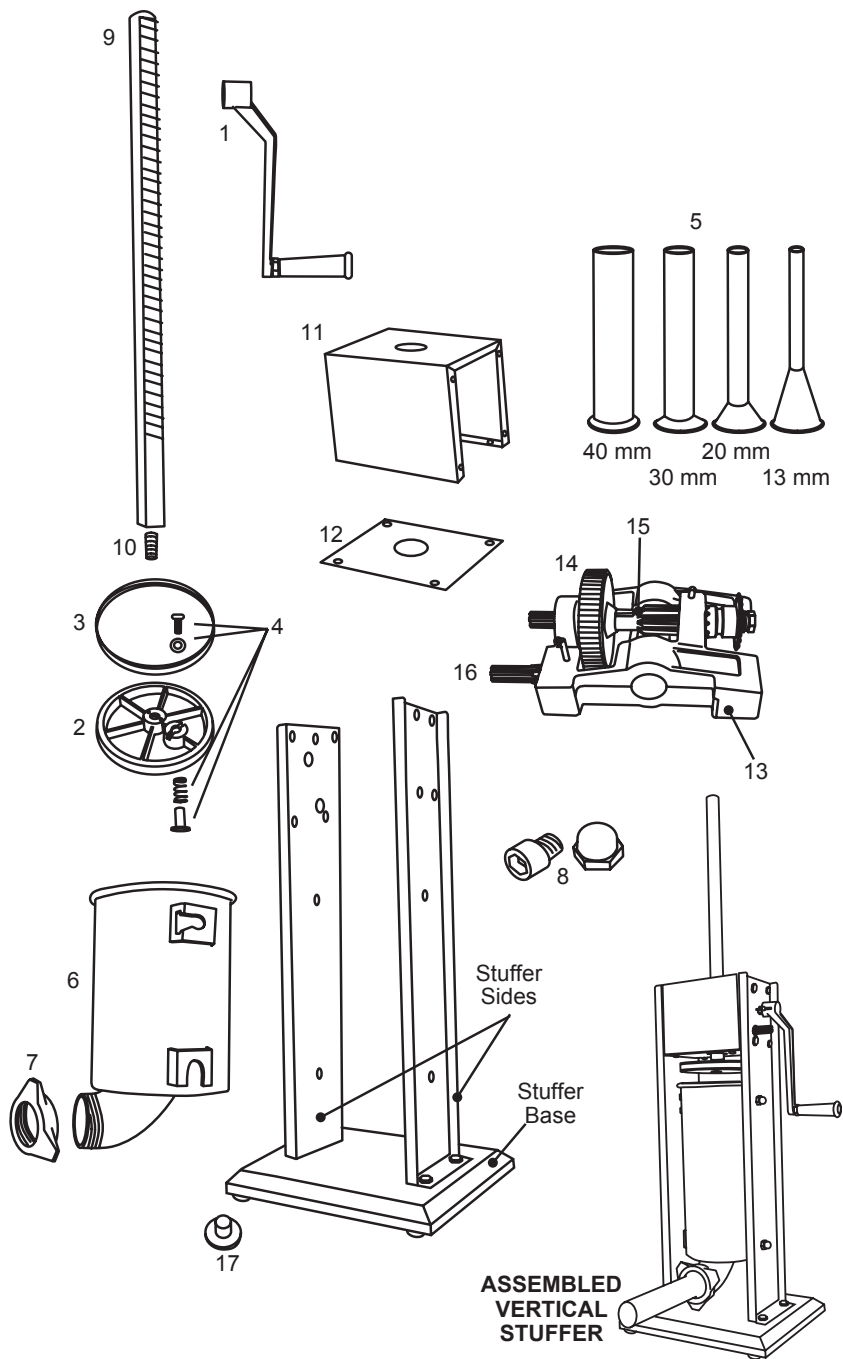
## GENERAL SAFETY RULES

READ AND FULLY UNDERSTAND ALL INSTRUCTIONS AND WARNINGS PRIOR TO USING THIS UNIT. YOUR SAFETY IS MOST IMPORTANT! FAILURE TO COMPLY WITH PROCEDURES AND SAFE GUARDS MAY RESULT IN SERIOUS INJURY OR PROPERTY DAMAGE. REMEMBER: YOUR PERSONAL SAFETY IS YOUR RESPONSIBILITY!

1. CHECK FOR DAMAGED PARTS. Before using the Stuffer, check that all parts are operating properly and perform the intended functions. Check for binding of moving parts, mounting and any other conditions that may affect the operation.
2. KEEP CHILDREN AWAY. NEVER LEAVE THE APPLIANCE UNATTENDED. The Stuffer is NOT A TOY.
3. The Manufacturer declines any responsibility in the case of improper use of the Stuffer. Improper use of the Stuffer will VOID the warranty.
4. NEVER store or leave the Stuffer at a temperature lower than 32°F (0°C).
5. Repair must be done by an authorized dealer. Use only factory original parts and accessories. Modification of the Stuffer will VOID the warranty.
6. Be sure the Stuffer is stable during use. All four feet should be secure on a level surface. The Stuffer should not move during operation.
7. NEVER operate the Stuffer with the Gear Housing Cover open or removed.
8. WEAR EYE PROTECTION! Everyday eye glasses are not safety glasses. Safety glasses conform to ANSI Z87.1 requirements. Note: Approved safety glasses have Z87 printed or stamped on them.
9. DO NOT use while under influence of drugs or alcohol.
10. Household use only.

## SAVE THESE INSTRUCTIONS

# ENGLISH INSTRUCTIONS



# COMPONENT LIST

DIAGRAM NUMBER	PART DESCRIPTION	PART NUMBER
1	HANDLE	86-0710
2	PLUNGER	86-1126
3	PLUNGER SEAL	86-0716
4	PRESSURE RELEASE VALVE (4 PIECE SET)	86-0715
5	STAINLESS STEEL FUNNEL SET (4 FUNNELS)	86-0720
6	STAINLESS STEEL CANISTER	7 LB: 86-0712 11 LB: 86-1112
7	FRONT RING NUT	86-0721
8	CANISTER MOUNTING HARDWARE KIT (4 SETS)	86-0722
9	PLUNGER SHAFT	7 LB: 86-0711 11 LB: 86-1111
10	PLUNGER BOLT	86-1125
11	GEAR HOUSING COVER WITH HARDWARE KIT	86-1113
12	GEAR HOUSING COVER BOTTOM PLATE WITH HARDWARE KIT	86-1114
13	GEAR HOUSING WITH HARDWARE KIT	86-1117
14	MAIN DRIVING GEAR	86-1119
15	SLOW SPEED CONTROL GEAR	86-1120
16	FAST SPEED CONTROL GEAR	86-1121
17	RUBBER FOOT (4 PIECE SET)	86-0717

If any components of this unit are broken, the unit does not operate properly or you need a replacement instruction manual, visit us on the web at

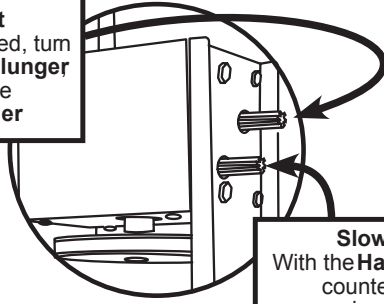
[WestonProducts.com](http://WestonProducts.com)

Or call Weston Brands LLC Toll Free at 1-800-814-4895  
Monday thru Friday 8:00am-5:00pm ET. Outside the U.S. call 001-440-638-3131

## GEAR MOVEMENT

### Fast Gear Shaft

With the **Handle** attached, turn clockwise to raise the **Plunger**  
counter-clockwise to lower the **Plunger**



### Slow Gear Shaft

With the **Handle** attached, turn counter-clockwise to raise the **Plunger**,  
clockwise to lower the **Plunger**

**FAST GEAR SHAFT BEST FOR ASSEMBLY AND DISASSEMBLY. NOT IDEAL FOR USE WITH STUFFING.**

# ASSEMBLY

## PLUNGER ASSEMBLY

1. Slide the Plunger Seal onto the Plunger (**FIGURE 1**).

2. Assemble the Pressure Release Valve Kit onto the Plunger. From the top of the Plunger, place the Washer onto the Valve Hole, then insert the Screw through the Washer and into the Valve Hole. From the underside of the Plunger, place the Spring onto the end of the Screw, then place the Valve Cap onto the end of the Screw and twist to secure.

3. Screw the Plunger Bolt onto the Plunger Shaft (**FIGURE 2**).

4. Place the assembled Plunger onto the end of the Plunger Shaft (**FIGURE 3**).

## STUFFER ASSEMBLY

5. Attach the Handle by sliding it onto either the Fast or the Slow Gear (**FIGURE 4**).

6. Crank the Handle to bring the Plunger to the top of the Stuffer.

FIGURE 1

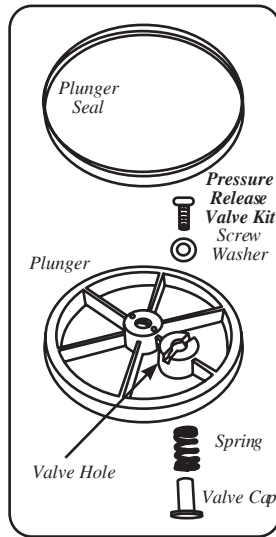


FIGURE 2

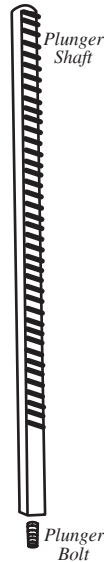


FIGURE 3

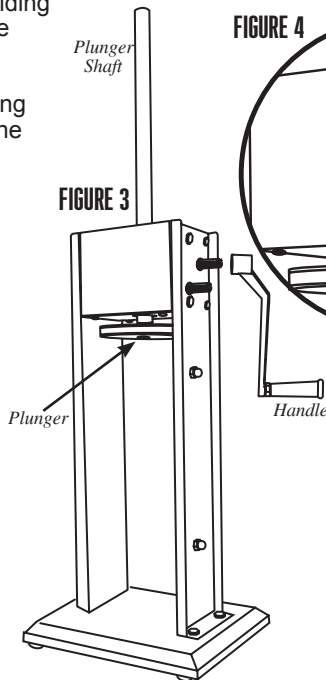
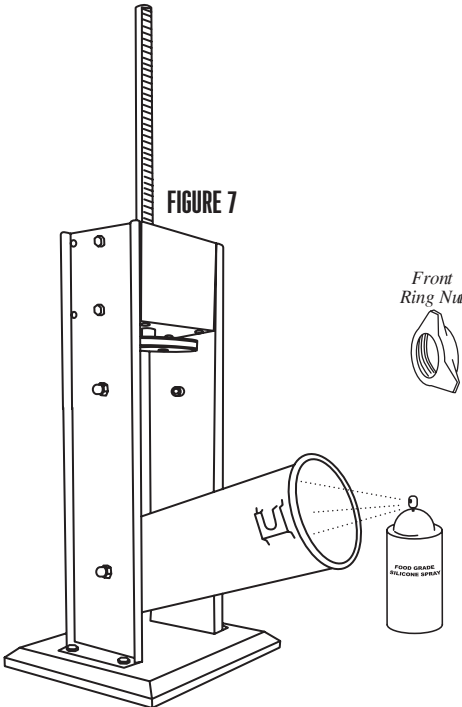
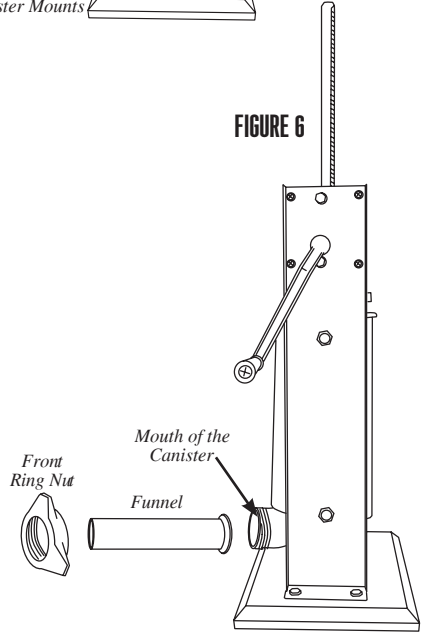
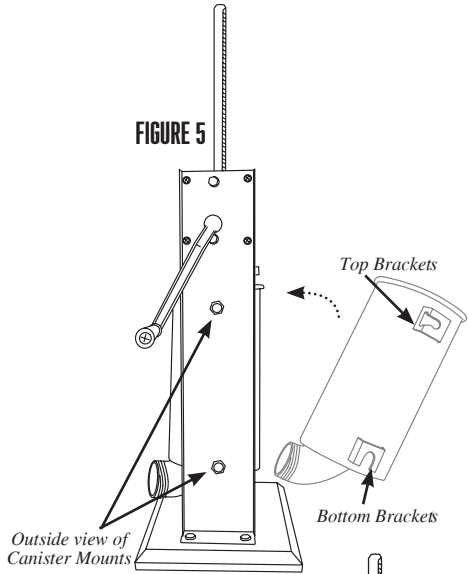


FIGURE 4

7. Rest the Canister's Bottom Brackets onto the Canister Mounts inside the Housing of the Stuffer. Pivot the bottom of the Canister into the Stuffer Housing. Pivot the Canister fully into the Stuffer Housing, snapping the Top Brackets into the Canister Mounts (**FIGURE 5**).

8. Insert the Stuffing Funnel of choice through the Front Ring Nut. Screw the Front Ring Nut and Stuffing Funnel onto the mouth of the Canister until snug. **DO NOT OVERTIGHTEN** the Front Ring Nut, as it may damage the Funnel (**FIGURE 6**).

9. Thoroughly coat the inside of the Canister with a food-grade lubricant prior to use (**FIGURE 7**).





## DISASSEMBLY & CLEANING

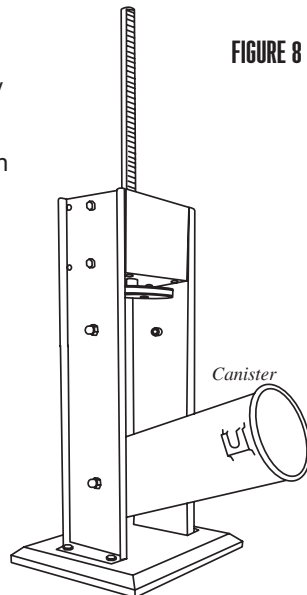
1. Remove the Stuffing Funnel by unscrewing the Front Ring Nut, and pulling the Funnel out.
2. Turn the Handle until the Plunger comes up and out of the Canister.
3. Pivot the Canister outward, then pull the Canister up to remove the Canister from the Stuffer Housing.
4. Unscrew the Plunger from the Plunger Shaft. Disassemble the Pressure-Release Valve from the Plunger. Remove the Plunger Seal from the Plunger.
5. Wash all parts that have come in contact with meat in hot soapy water. **BE SURE TO CLEAN THE PARTS IMMEDIATELY AFTER USE.** Rinse and thoroughly dry all parts immediately. Sterilize as needed.
6. Fully lubricate the Shaft, Canister, Pressure-Release Valve components and the Front Ring Nut with a food-grade lubricant before and after each use.

## STUFFING INSTRUCTIONS

**CAUTION!!** When the Plunger is pulled out of the Canister, **RELEASE THE HANDLE SLOWLY!** Pressure or gravity could cause the Handle to spin back slightly and cause injury.

NOTE: Apply a food-grade lubricant to the inside of the Canister before filling with the meat mixture.

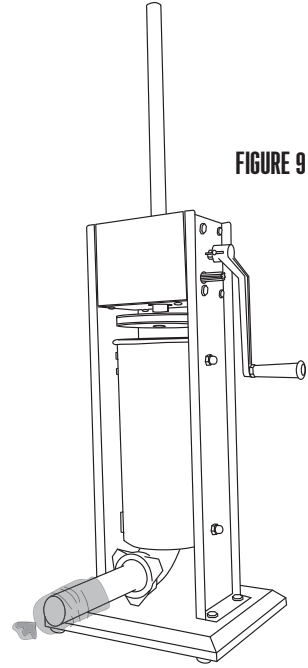
1. Tilt out the Canister.
2. Fill the Canister with the ground meat and seasoning mixture (**FIGURE 8**).
3. Press the mixture down into the Canister firmly to release any trapped air.
4. Pivot the Canister back into the upright position and snap the Top Brackets onto the Canister Mounts.
5. Turn the Handle until the Plunger comes in contact with the meat and the mixture is ready to extrude out the end of the Stuffing Funnel.



6. Slip a casing on the end of the Stuffing Funnel until the entire casing has slid onto the Funnel (**FIGURE 9**).
7. Tie, twist or hog ring the end of the casing to seal it.
8. Turn the Handle to extrude the mixture into the casing. For best results, apply pressure around the casing, close to the end of the Stuffing Funnel. This will hold the casing tight and will cause the mixture to pack firmly into the casing.
9. When the end of the casing has been reached, tie, twist or hog ring the end of the casing to seal the contents inside.

**STUFFING TIPS:** The following are suggestions to help reduce the resistance when stuffing with the 13 mm Stuffing Funnel.

- A. Add water to the meat mixture- up to 1-1/2 cups (0.4 L) of water per every 5 lb (2.3 kg) of seasoned meat.
- B. Add 1/4 cup (60 ml) of vegetable or olive oil per every 5 lb (2.3 kg) of seasoned meat for better flow.
- C. Use slow speed gear shaft for easier cranking



**FIGURE 9**

# FOOD SAFETY

There are basic rules to follow when handling food. They are **COOK, SEPARATE, CLEAN,** and **CHILL.**

## COOK

It's crucial to cook food to a safe internal temperature to destroy bacteria that is present. The safety of hamburgers and other foods made with ground meat has been receiving a lot of attention lately, and with good reason. When meat is ground, the bacteria present on the surface is mixed throughout the ground mixture. If this ground meat is not cooked to at least 160°F to 165°F (71°C to 74°C), bacteria will not be destroyed and there's a good chance you will get sick.

Solid pieces of meat like steaks and chops don't have dangerous bacteria like E. coli on the inside, so they can be served more rare. Still, any beef cut should be cooked to an internal temperature of at least 145°F (63°C) (medium rare). The safe temperature for poultry is 165°F (75°C) and solid cuts of pork should be cooked to 145°F (63°C).

## SEPARATE

Foods that will be eaten uncooked and foods that will be cooked before eating **MUST ALWAYS** be separated. Cross-contamination occurs when raw meats or eggs come in contact with foods that will be eaten uncooked. This is a major source of food poisoning. Always double-wrap raw meats and place them on the lowest shelf in the refrigerator so there is no way juices can drip onto fresh produce. Then use the raw meats within 1-2 days of purchase, or freeze for longer storage. Defrost frozen meats in the refrigerator, not on the counter.

When grilling or cooking raw meats or fish, make sure to place the cooked meat on a clean platter. Don't use the same platter you used to carry the food out to the grill. Wash the utensils used in grilling after the food is turned for the last time on the grill, as well as spatulas and spoons used for stir-frying or turning meat as it cooks.

Make sure to wash your hands after handling raw meats or raw eggs. Washing hands with soap and water, or using a pre-moistened antibacterial towelette is absolutely necessary after you have touched raw meat or raw eggs. Not washing hands and surfaces while cooking is a major cause of cross-contamination.

## CLEAN

Wash your hands and work surfaces frequently when you are cooking. Washing with soap and warm water for at least 15 seconds, then dry with a paper towel.

## CHILL

Chilling food is very important. The danger zone where bacteria multiply is between 40°F and 140°F (4°C and 6°C). Your refrigerator should be set to 40°F (4°C) or below; your freezer should be 0°F (-17°C) or below. Simple rule: serve hot foods hot, cold foods cold. Use chafing dishes or hot plates to keep food hot while serving. Use ice water baths to keep cold foods cold. Never let any food sit at room temperature for more than 2 hours - 1 hour if the ambient temperature is 90°F (32°C) or above. When packing for a picnic, make sure the foods are already chilled when they go into the insulated hamper. The hamper won't chill food - it just keeps food cold when properly packed with ice. Hot cooked foods should be placed in shallow containers and immediately refrigerated so they cool rapidly. Make sure to cover foods after they are cool.

**NOTE:** Special considerations must be made when using venison or other wild game, since it can become heavily contaminated during field dressing. Venison is often held at temperatures that could potentially allow bacteria to grow, such as when it is being transported. Refer to the USDA Meat and Poultry Department for further questions or information on meat and food safety.

# SAUSAGE INFORMATION

## MEAT SELECTION FOR SAUSAGE MAKING

Sausage making has evolved over many years and generations, and as a result there are countless types of sausage you can make using the basic ingredients of meat, fat and a few carefully blended spices. Following are a few simple guidelines that will help you make the best tasting sausage possible.

Any type of meat can be used for making sausage: pork, beef, bison, moose and caribou, even antelope make great sausage. It is important when preparing venison or other red game meats to trim all the fat from the meat, as red game tallow will turn rancid in as few as five days. Replace the fat with either pork or beef fat, depending on the type of product you are making, at a ratio of 1 pound (0.5 kg) of fat for every 4 pounds (1.8 kg) of game meat.

The fat content of your sausage will affect the taste, texture, cooking characteristics and shelf life of your product. Most commercially made sausage has a fat content of about 20%. Using less than 12% fat will result in a very dry tasting sausage, while using more than 20% may result in a sticky flavorless sausage that will be difficult to cook.

## CURING

It is important to properly cure meats to preserve meat and poultry, and to destroy undesirable microorganisms on the meat surfaces that cause spoilage and foodborne illnesses. There are many steps that help in this process, including smoking, cooking, drying, chilling and the addition of cure ingredients. The oldest means of accomplishing this is by introducing salt into the meat. The resistance of bacteria to salt varies widely among different types of bacteria. The growth of some bacteria is inhibited by salt concentrations as low as 3%, e.g., Salmonella, whereas other types are able to survive in much higher salt concentrations, e.g., Staphylococcus. Fortunately, the growth of many undesirable organisms normally found in cured meat and poultry products is inhibited at low concentrations of salt.

Modern curing is based on Nitrates and is very scientific. Purchase Weston Pink Curing Salt (02-0000-W) and follow the included instructions to ensure that you are properly curing your homemade sausage.

## CASING

Weston offers a complete variety of casings. The right choice depends on personal preference as well as the type of sausage you wish to make. For most sausages, your choices are natural or collagen. Don't let the names fool you; collagen casings are not a synthetic. They are made from beef skin and other tissues. Collagen casings are uniform in size and texture and require almost no preparation. "Natural" casings are the intestines of lamb, sheep, hogs or beef. They are less uniform in size and require preparation. There are also fibrous non-edible casings that are most commonly used for summer sausage and ring bologna.

## TYPES OF SAUSAGE

Most sausages fall into one of four categories: Fresh, Smoked, Cooked or Dried. All sausages, except dried, require refrigerated storage. There is also a sub-category of uncooked smoked sausages.

Among the fresh and uncooked smoked sausages, you will find such flavors as kielbasa or Polish sausage, Italian sausage, breakfast sausage and many others. Both fresh and uncooked smoked sausages require cooking before eating and also require refrigerated storage.

Smoked and cooked sausages include salami, bologna, the ever-popular hot dogs and many others. Proper smoking requires a smokehouse or smoker. Weston offers Outdoor Propane Smokers in a variety of sizes (41-0701-W, 41-0301-W, or 41-0401-W). Most smoked sausages are warmed before serving. Many people think that a smoked sausage will last much longer without spoilage, but this is not true. Smoked sausages should be treated the same as fresh sausage in terms of storage.

Dried sausages require the longest processing time, as they are air dried over a long period of time. Dry cured sausages include salami, chorizo, pepperoni, among others. The conditions under which the meat is dried are very exacting; temperature, time and humidity must all be carefully monitored for a safe and delicious product.

## STORAGE

For the best flavors, we recommend vacuum sealing your fresh sausages, then storing them in the refrigerator (short term) or freezer (long term). Weston manufactures a variety of vacuum sealers. Ask the retailer from which you purchased this unit for their selection. Store dry cured products in paper or other breathable wrapping, unrefrigerated.



# WESTON WARRANTY INFORMATION

## SAVE THIS WARRANTY INFORMATION FOR YOUR RECORDS!

Weston Brands LLC warrants to the ORIGINAL RETAIL PURCHASER of this product that if operated in accordance with the printed instruction accompanying it, then for a period of 1 year from the date of purchase, the product shall be free from defects in material and workmanship.

The Warranty Card, along with a copy of the original receipt, must be received by Weston Brands LLC within 30 days from purchase date for the warranty to apply. Failure to send the completely filled out Warranty Card, along with a copy of the original receipt, will void the warranty.

The product must be delivered to or shipped freight prepaid to Weston Brands LLC for warranty services, in either its original packaging or similar packaging affording an equal degree of protection. Damage due to shipping is not the responsibility of the company. Weston Brands LLC charges a \$35.00 per hour bench charge. **NOTE:** No repairs will be started without the authorization of the customer. The return shipping cost to the customer will be added to the repair invoice.

Prior to returning the product for Warranty Repair, the product must be thoroughly cleaned and free from any food particles or other debris. Failure of the purchaser to comply with this standard will result in the unit being returned without repair. In some cases, a \$50 cleaning surcharge may apply.

Weston Brands LLC will repair (or at its discretion, replace) the product free of charge, if in the judgment of the company, it has been proven to be defective as to seller's labor and material, within the warranty period.

New or rebuilt replacements for factory defective parts will be supplied for one (1) year from the date of purchase.

Replacement parts are warranted for the remainder of the original warranty period.

For non-warranty repairs, contact Weston Brands LLC's Customer Service at 1-800-814-4895 M-F 8am-5pm ET (outside of the United States 001-440-638-3131) to obtain a Return Merchandise Authorization Number (RMA Number).

Weston Brands LLC will refuse all returns that do not contain this number. **DO NOT RETURN THE UNIT WITHOUT**

### PROPER AUTHORIZATION FROM WESTON BRANDS LLC.

**LIMITATIONS:** The warranty is void if the product is used for any purpose other than that for which it is designed. The product must not have been previously altered, repaired, or serviced by anyone else other than Weston Brands LLC. If applicable, the serial number must not have been altered or removed. The product must not have been subjected to accident in transit or while in the customer's possession, misused, abused, or operated contrary to the instructions contained in the instruction manual. This includes failure caused by neglect of reasonable and necessary maintenance, improper line voltage and acts of nature. This warranty is not transferable and applies only to U.S. and Canadian sales.

Except to the extent prohibited by applicable law, no other warranties whether expressed or implied, including warranty merchantability and fitness for a particular purpose, shall apply to this product. Under no circumstances shall Weston Brands LLC be liable for consequential damages sustained in connection with said product and Weston Brands LLC neither assumes nor authorizes any representative or other person to assume for it any obligation or liability other than such as is expressly set forth herein. Any applicable implied warranties are also limited to the one (1) year period of the limited warranty.

This warranty covers only the product and its specific parts, not the food or other products processed in it. Weston is not responsible for missing or damaged parts on discounted/clearance, resale or final sale items where the seller may not be able to guarantee full functionality or completeness of the unit.

**CUT ALONG THE DOTTED LINE AND SEND THE WARRANTY CARD ALONG WITH A COPY OF YOUR ORIGINAL PURCHASE RECEIPT TO:**

**Weston Brands LLC / WARRANTY  
20365 Progress Drive, Strongsville, OH 44149 USA**

## WESTON WARRANTY CARD

SEND THIS CARD ALONG WITH A COPY OF YOUR ORIGINAL PURCHASE RECEIPT TO:  
WESTON BRANDS LLC / WARRANTY, 20365 PROGRESS DRIVE, STRONGSVILLE, OH 44149 USA

Customer Name: \_\_\_\_\_

Address: \_\_\_\_\_

City/State/Zip/Country: \_\_\_\_\_

Telephone Number: \_\_\_\_\_

E-Mail Address: \_\_\_\_\_

Original Date of Purchase: \_\_\_\_\_

Copy of Receipt  
Included

Product Model #: \_\_\_\_\_

Serial # (if applicable): \_\_\_\_\_

I have read the warranty information. Initial here: \_\_\_\_\_







**WESTON**

RECONNECT WITH REAL FOOD

# RELLENADORA VERTICAL DE SALCHICHAS

7 LB: 86-0701-W

11 LB: 86-1101-W

DEBIDO A CONSTANTES MEJORAS EN LA FÁBRICA, EL PRODUCTO QUE SE MUESTRA PUEDE SER LIGERAMENTE DIFERENTE DEL PRODUCTO EN ESTA CAJA. 052115

## REGLAS IMPORTANTES DE SEGURIDAD

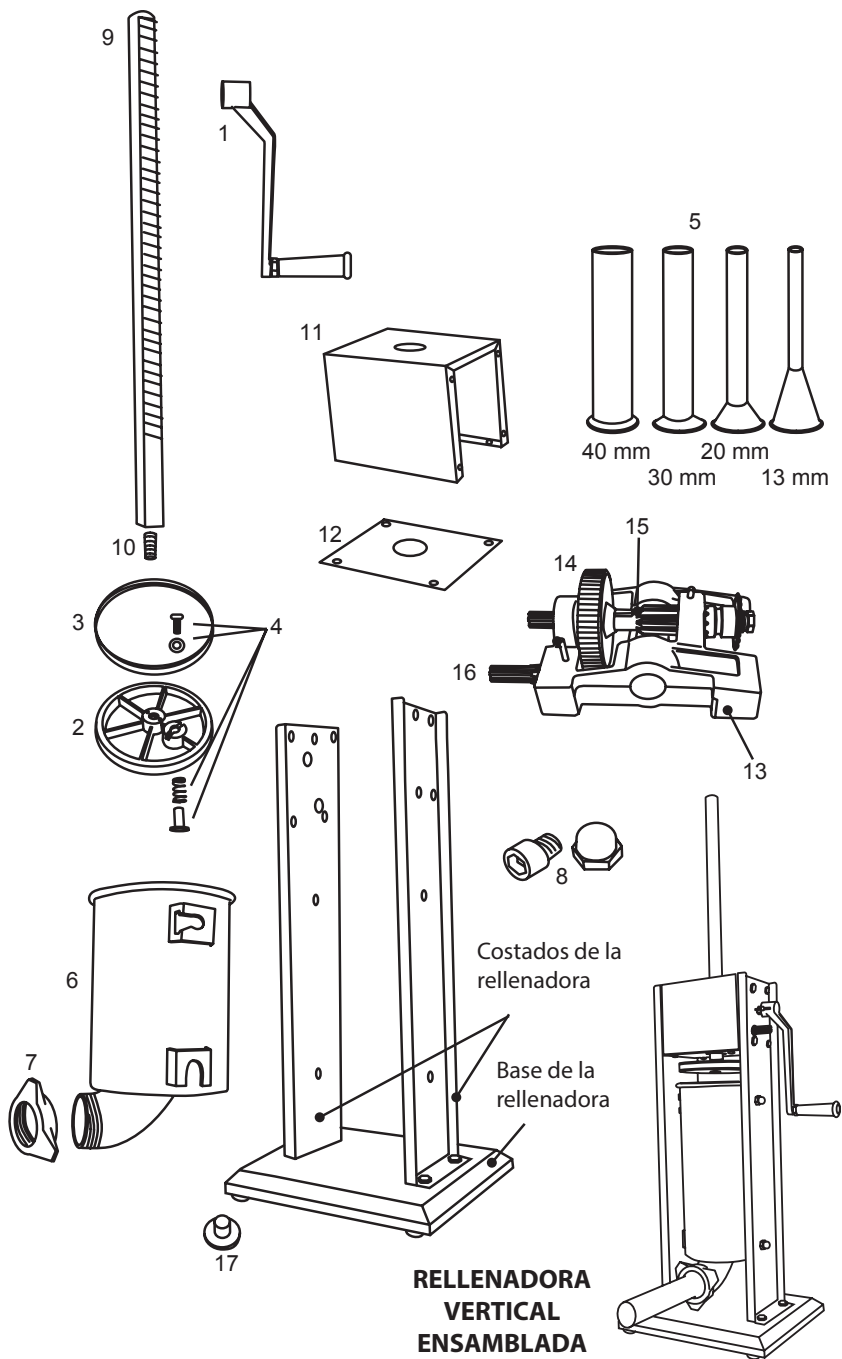
LEA Y ENTIENDA COMPLETAMENTE TODAS LAS INSTRUCCIONES Y ADVERTENCIAS ANTES DE UTILIZAR ESTA UNIDAD. ¡SU SEGURIDAD ES LO MÁS IMPORTANTE! NO SEGUIR LOS PROCEDIMIENTOS Y PRECAUCIONES PUEDE PROVOCAR LESIONES GRAVES Y DAÑOS MATERIALES. RECUERDE: ¡SU SEGURIDAD PERSONAL ES RESPONSABILIDAD DE USTED!

1. REVISE SI TIENE PARTES DAÑADAS. Antes de usar la rellenadora revise que todas las partes estén funcionando debidamente y realicen las funciones deseadas. Revise si están atoradas las partes móviles, encimadas o en cualquier otra situación que afecte su funcionamiento.
2. MANTÉNGALO ALEJADO DE LOS NIÑOS. NUNCA DEJE SIN SUPERVISIÓN EL APARATO. La rellenadora NO ES UN JUGUETE.
3. El fabricante rechaza cualquier responsabilidad en caso de uso indebido de la rellenadora. El uso indebido de la rellenadora ANULA la garantía.
4. NUNCA guarde o use la rellenadora a una temperatura inferior a 0 °C (32 °F).
5. Las reparaciones deben ser realizadas por un distribuidor autorizado. Use solamente partes y accesorios originales de fábrica. La modificación de la rellenadora ANULA la garantía.
6. Revise que la rellenadora esté estable mientras la usa. Las cuatro patas deben estar firmes en una superficie nivelada. No debe mover la rellenadora durante su funcionamiento.
7. NUNCA opere la rellenadora con la cubierta del gabinete de engranes abierta o quitada.
8. ¡USE PROTECCIÓN EN LOS OJOS! Los anteojos ópticos no son protección de seguridad.  
Las gafas de seguridad cumplen con los requerimientos de la norma ANSI Z87.1.  
Nota: Las gafas de seguridad aprobadas tienen impresa o estampada la clave Z87.
9. NO lo use bajo los efectos de drogas o alcohol.
10. Para uso doméstico únicamente.

## ¡GUARDE ESTAS INSTRUCCIONES!







## LISTA DE COMPONENTES

NÚMERO DE DIAGRAMA	DESCRIPCIÓN DE LA PIEZA	NÚMERO DE PIEZA
1	MANGO	86-0710
2	ÉMBOLO	86-1126
3	SELLO DEL ÉMBOLO	86-0716
4	VÁLVULA DE LIBERACIÓN DE PRESIÓN (JUEGO DE 4 PIEZAS)	86-0715
5	JUEGO DE EMBUDOS DE ACERO INOXIDABLE (4 EMBUDOS)	86-0720
6	RECIPIENTE DE ACERO INOXIDABLE	7 LB: 86-0712 11 LB: 86-1112
7	TUERCA DE ARO FRONTAL	86-0721
8	JUEGO PARA MONTAR LOS ACCESORIOS DEL RECIPIENTE (4 JUEGOS)	86-0722
9	EJE DEL ÉMBOLO	7 LB: 86-0711 11 LB: 86-1111
10	TORNILLO DEL ÉMBOLO	86-1125
11	CUBIERTA DEL GABINETE DE ENGRANES CON JUEGO DE ACCESORIOS	86-1113
12	PLACA DEL FONDO DE LA CUBIERTA DEL GABINETE DE ENGRANES CON JUEGO DE ACCESORIOS	86-1114
13	GABINETE DE ENGRANES CON JUEGO DE ACCESORIOS	86-1117
14	ENGRANE IMPULSOR PRINCIPAL	86-1119
15	ENGRANE DE CONTROL DE BAJA VELOCIDAD	86-1120
16	ENGRANE DE CONTROL DE ALTA VELOCIDAD	86-1121
17	PATA DE HULE (JUEGO DE 4 PIEZAS)	86-0717

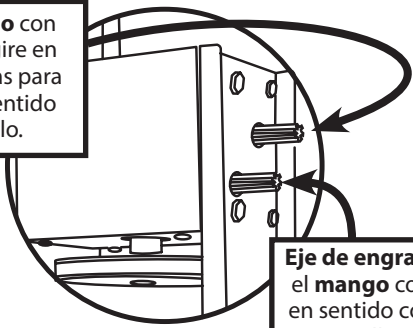
Si cualquier componente de esta unidad está roto, si no funciona debidamente, o si necesita un instructivo de repuesto, visítenos en la Web en

[WestonProducts.com](http://WestonProducts.com)

O llame a Weston Brands LLC larga distancia sin costo **1-800-814-4895**

De lunes a viernes, de 8:00 am a 5:00 pm tiempo del ET. Fuera de Estados Unidos llame  
al 001-440-638-3131

## MOVIMIENTO DE LOS ENGRANES



**Eje de engranes rápido** con el **mango** conectado, gire en sentido de las manecillas para elevar el **émbolo**, en sentido contrario para bajarlo.

**Eje de engranes lento** con el **mango** conectado, gire en sentido contrario de las manecillas para elevar el **émbolo**, en sentido de las manecillas para bajarlo.

**EJE DE ENGRAGAJE RAPIDO MEJOR PARA ENSAMBLADO Y DESARMADO. NO ES IDEAL PARA RELLENAR.**

# ENSAMBLADO

## CONJUNTO DEL ÉMBOLO

1. Deslice el sello del émbolo en el émbolo (FIGURA 1).

2. Ensamble el juego de la válvula de liberación de presión en el émbolo. Desde la parte superior del émbolo, coloque la arandela en el agujero de la válvula, después inserte el tornillo a través de la arandela y del agujero de la válvula. Desde la parte inferior del émbolo, coloque el resorte en el extremo del tornillo, después coloque la tapa de la válvula en el extremo del tornillo y gire para fijar.

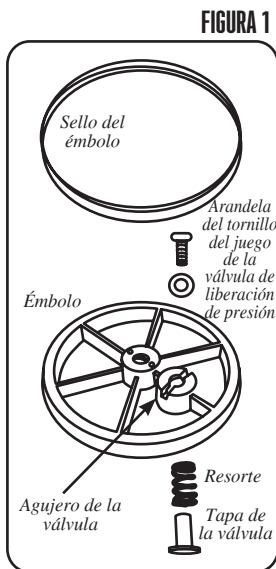
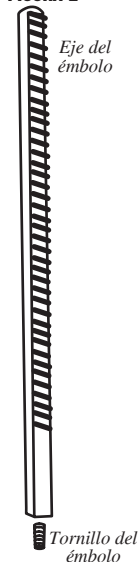


FIGURA 2



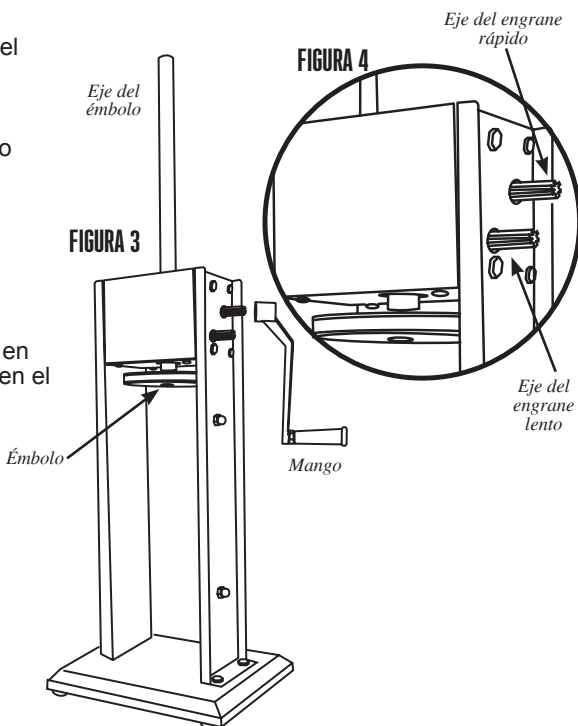
3. Atornille el sello del émbolo en el eje del émbolo (FIGURA 2).

4. Coloque el émbolo ensamblado en el extremo del eje del émbolo (FIGURA 3).

## ENSAMBLE DE LA RELLENADORA

5. Fije el mango deslizándolo ya sea en el engrane rápido o en el lento (FIGURA 4)

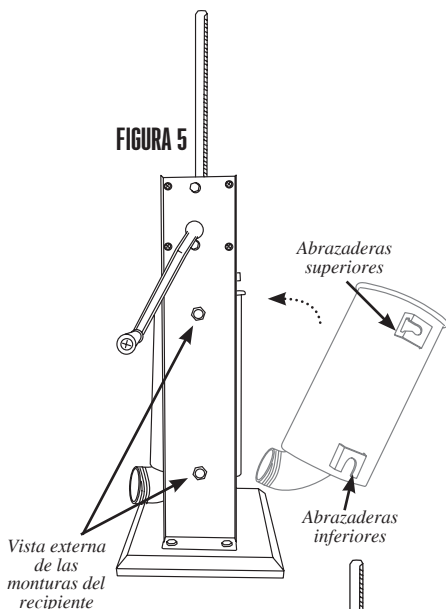
6. Dele vueltas al mango para hacer subir el émbolo a la parte superior de la rellenadora.



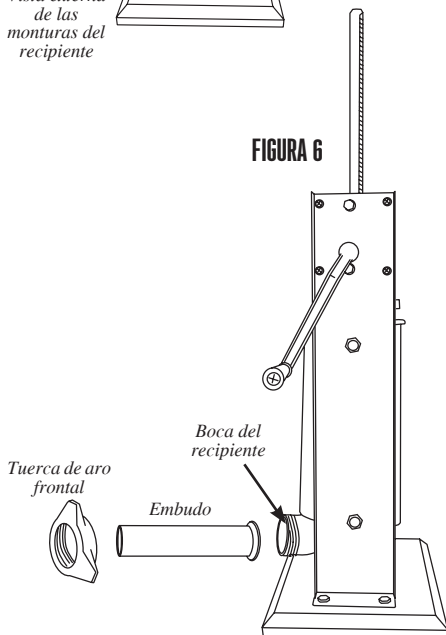
7. Apoye las abrazaderas del fondo del recipiente en las monturas del recipiente adentro del gabinete de la rellenadora. Haga girar el fondo del recipiente en el gabinete de la rellenadora. Haga girar por completo el recipiente en el gabinete de la rellenadora, enganchando las abrazaderas superiores en las monturas del recipiente (**FIGURA 5**).

8. Inserte el embudo de rellenado de su elección a través de la tuerca de aro frontal. Atornille la tuerca de aro frontal y el embudo de rellenado en la boca del recipiente hasta que estén apretados. **NO APRIETE EN EXCESO** la tuerca de aro frontal pues podría dañar el embudo (**FIGURA 6**).

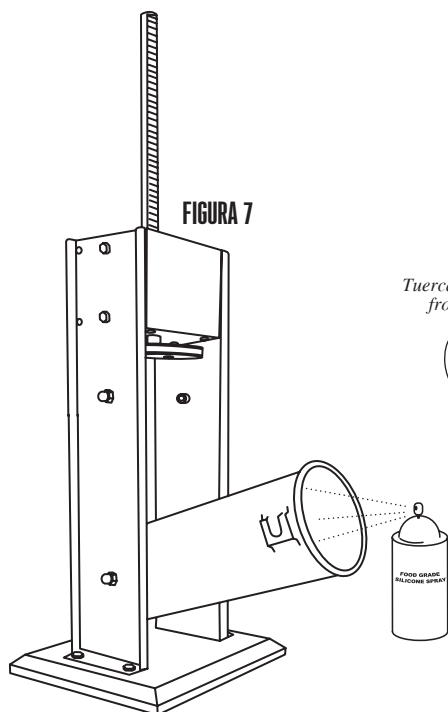
9. Antes de usarlo, cubra muy bien el interior del recipiente con un lubricante para alimento (**FIGURA 7**).



**FIGURA 6**



**FIGURA 7**



## DESARMADO Y LIMPIEZA

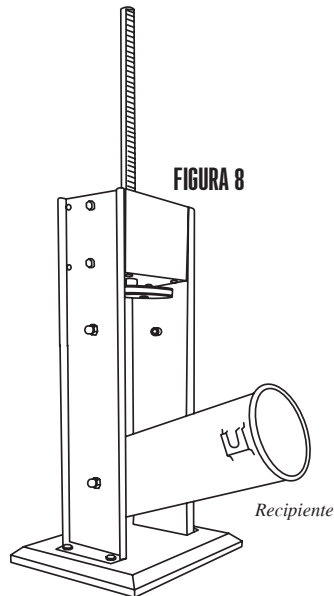
1. Quite el embudo de relleno desatornillando la tuerca de aro frontal y jalando el embudo.
2. Gire el mango hasta que el émbolo suba y salga del recipiente.
3. Gire el recipiente hacia afuera, después tire de él hacia arriba para sacarlo del gabinete de la rellenaadora.
4. Desatornille el émbolo de su eje. Retire la válvula de liberación de presión del émbolo. Quite el sello del émbolo.
5. Lave con agua jabonosa caliente todas las partes que entren en contacto con la carne. **PROCURE LIMPIAR LAS PARTES INMEDIATAMENTE DESPUÉS DE USARLAS.** Enjuague y seque cuidadosamente todas las partes inmediatamente. Esterilice si es necesario.
6. Antes y después de cada uso, lubrique por completo los componentes del eje, el recipiente, la válvula de liberación de presión y la tuerca de aro frontal con un lubricante para alimento.

## INSTRUCCIONES DE RELLENADO

**¡ADVERTENCIA!** Cuando el émbolo esté salido del recipiente, **SUELTE LENTAMENTE EL MANGO.** La presión y la gravedad pueden hacer que el mango gire ligeramente hacia atrás y provoque lesiones.

NOTA: Aplique un lubricante para alimento en el interior del recipiente antes de llenar con la mezcla de carne.

1. Incline el recipiente hacia afuera.
2. Llene el recipiente con la mezcla de carne y sazónadores (**FIGURA 8**).
3. Presione firmemente la mezcla hacia abajo del recipiente para expulsar el aire que estuviera atrapado.
4. Gire el recipiente para ponerlo en posición vertical y enganche las abrazaderas superiores en las monturas del recipiente.
5. Gire el mango hasta que el émbolo esté en contacto con la carne y la mezcla esté lista para ser expulsada por el extremo del embudo de relleno.

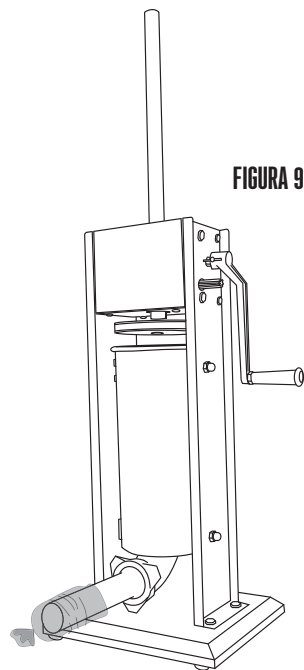


6. Deslice un forro en el extremo del embudo de relleno hasta que se haya deslizado completamente en el embudo (**FIGURA 9**).
7. Ate, tuerza o ponga un aro en el extremo del forro para sellarlo.
8. Gire el mango para expulsar la mezcla en el forro. Para lograr mejores resultados, aplique presión alrededor del forro cerca del extremo del embudo de relleno. Así mantiene apretado el forro y hace que la mezcla se empaque firmemente en el forro.
9. Cuando llegue al extremo del forro ate, tuerza o ponga un aro en el extremo para sellar el contenido.

**CONSEJOS DE RELLENADO:** Los siguientes consejos ayudan a reducir la resistencia al estar relleno con el embudo de relleno de 13 mm.

A. Agréguele agua a la mezcla de carne: hasta 1 1/2 tazas (0.4 l) de agua por cada 2.3 kg (5 lb) de carne sazonada.

B. Vierta 1/4 de taza (60 ml) de aceite vegetal o de oliva por cada 2.3 kg (5 lb) de carne sazonada para que fluya mejor.



**FIGURA 9**



# SEGURIDAD DE LOS ALIMENTOS

Hay que seguir ciertas reglas básicas al manejar alimentos. Las reglas son **COCINAR**, **SEPARAR**, **LIMPIAR** y **ENFRIAR**.

## COCINAR

Es muy importante cocinar los alimentos a una temperatura interna que destruya cualquier bacteria que esté presente. Últimamente se ha puesto mucha atención en la higiene de las hamburguesas y otros alimentos elaborados con carne molida y con razón. Cuando se muele la carne, las bacterias presentes en la superficie se revuelven en toda la mezcla de la carne molida. Si la carne molida no se cuece a por lo menos 71°C a 74°C (160°F - 165°F), no se destruyen las bacterias y hay una buena posibilidad de enfermarse.

Las piezas de carne sólida, como los filetes y las chuletas, no tienen en su interior bacterias peligrosas como le E. coli, por lo que pueden servirse menos cocidas. Aun así, cualquier corte de vacuno debe cocinarse a una temperatura interna de por lo menos 63°C (145°F) (medio cocido). La temperatura recomendable para las aves es de 75°C (165°F) y los cortes sólidos de carne de puerco deben cocinarse a 71°C (160°F).

## SEPARAR

SIEMPRE DEBE separar los alimentos que se comen crudos y los que se vayan a cocer antes de comerse. La contaminación cruzada se presenta cuando la carne o los huevos crudos entran en contacto con alimentos que se van a consumir sin cocimiento. Ésta es una importante causa de intoxicaciones. Siempre use una doble envoltura para la carne cruda y colóquela en la repisa más baja del refrigerador, para que no haya manera de que su jugo gotee en las verduras frescas. Use la carne cruda 1 o 2 días después de comprarla, o congélela para guardarla más tiempo. Descongele la carne congelada en el refrigerador, no en el mesón de la cocina.

Cuando ase o cocine carne o pescado crudo, coloque la carne ya cocida en un platón limpio. No use el mismo platón que usó para llevar la carne al asador. Lave los utensilios usados en el asador después de haber volteado los alimentos por última vez, así como las cucharas y espátulas usadas para freír o para voltear la carne al estarla cocinando.

No olvide lavarse las manos después de manejar carne o huevos crudos. Es absolutamente necesario lavarse las manos con agua y jabón o usar una toallita húmeda antibacteriana después de tocar carne o huevos crudos. No lavarse las manos o las superficies cuando se cocina es una causa importante de contaminación cruzada.

## LIMPIAR

Lávese las manos y las superficies de trabajo con frecuencia mientras esté cocinando. Lávese con agua tibia y jabón durante por lo menos 15 segundos; después séquese con una toalla de papel.

## ENFRIAR

Es muy importante enfriar los alimentos. La zona de peligro para la multiplicación de bacterias está entre los 4 °C y 60 °C (40 °F - 140 °F). El refrigerador debe estar a 4 °C (40 °F) o menos; el congelador debe estar a -17 °C (0 °F) o menos. Regla básica: sirva calientes los alimentos calientes y sirva fríos los alimentos fríos. Use platos calientes para mantener caliente la comida a la hora de servirla. Use baños de agua con hielo para mantener fría la comida fría. Nunca deje ningún alimento a temperatura ambiente por más de 2 horas; o por más de 1 hora si la temperatura ambiente es de 32 °C (90 °F) o superior. Cuando empaque para un picnic, asegúrese de que la comida ya esté fría cuando la meta en la canasta aislada. La canasta no enfría la comida; sólo la mantiene fría si está debidamente empacada con hielo. Los alimentos cocidos calientes deben colocarse en recipientes bajos y refrigerarse de inmediato para que se enfríen rápidamente. No olvide cubrir los alimentos una vez que se enfríen..

NOTA: Debe tener especial consideración al usar venado y otra carne de caza, ya que puede contaminarse durante la preparación de campo. El venado suele mantenerse a temperaturas que podrían permitir el crecimiento de bacterias, como cuando se transporta. Consulte con el Departamento de Carnes y Aves de la USDA si tiene más preguntas o quiere más información sobre higiene de carne y alimentos.

# INFORMACIÓN DE LA SALCHICHA

## SELECCIÓN DE CARNE PARA HACER SALCHICHAS

La elaboración de salchichas ha evolucionado a lo largo de muchos años y generaciones, y como resultado, hay un sinnúmero de tipos de salchichas que puede hacer usando los ingredientes básicos como carne, grasa y algunas especias cuidadosamente combinadas. A continuación se presentan algunos lineamientos sencillos que le ayudarán a elaborar salchichas con el mejor sabor posible.

Se puede utilizar cualquier tipo de carne para elaborar embutidos: carne de cerdo, de res, de bisontes, de alces y de caribúes, incluso con la de antílope se hacen excelentes salchichas. En la preparación de la carne de venado o de otras carnes rojas de caza es importante quitar toda la grasa de la carne, ya que el sebo de la carne roja de caza se vuelve rancio en tan sólo cinco días. Reemplace la grasa, con grasa de cerdo o de vaca, dependiendo del tipo de producto que esté elaborando, en una proporción de 0.5 kg (1 lb) de grasa por cada 1.8 kg (4 lb) de carne de caza.

El contenido de grasa de la salchicha afectará el sabor, la textura, las características de cocción y la vida útil de su producto. La mayoría de las salchichas comerciales tienen un contenido de grasa de alrededor del 20%. El uso de menos de 12% de grasa dará lugar a una salchicha muy seca a la degustación, mientras que con más del 20% puede dar como resultado una salchicha sin sabor y pegajosa que será difícil de cocinar.

## CURADO

Es importante curar adecuadamente las carnes para conservarlas, y destruir los microorganismos indeseables en las superficies de la carne que causan su descomposición así como enfermedades derivadas de ésta. Hay muchas medidas que son de ayuda en este proceso, como el ahumado, la cocción, el secado, la refrigeración, y la adición de ingredientes para curado. Los medios más antiguos para lograr esto eran mediante la introducción de la sal en la carne. La resistencia de las bacterias a la sal varía ampliamente entre los diferentes tipos de bacterias. El crecimiento de algunas bacterias se inhibe por concentraciones de sal tan bajas como el 3% en por ejemplo la Salmonela, mientras que otros tipos son capaces de sobrevivir en concentraciones mucho más altas de sal, por ejemplo el estafilococo. Afortunadamente, el crecimiento de muchos organismos no deseados que normalmente se encuentran en los productos de carne y de aves de corral curadas se inhibe a concentraciones bajas de sal. El curado moderno se basa en nitratos y es muy científico. Adquiera Sal rosa para curar Weston (02-0000-W) y siga las instrucciones para asegurar que está curando adecuadamente su salchicha casera.

## FORRO

Weston ofrece una variedad completa de envoltorios. La elección correcta depende de su la preferencia personal, así como del tipo de salchicha que desea elaborar. Para la mayoría de las salchichas, sus opciones son naturales o de colágeno. No deje que los nombres le engañen; los forros de colágeno no son un producto sintético. Están hechos de piel de res y otros tejidos. Los forros de colágeno son uniformes en tamaño y textura y casi no requieren preparación. Los forros "naturales" son los intestinos de cordero, de ovejas, de cerdos o de res. Son menos uniformes en tamaño y requieren una preparación. También hay forros fibrosos no comestibles que se utilizan para algunas variedades de salchichas y mortadelas ahumadas. También hay envoltorios fibrosos no comestibles que son usados más comúnmente para salchichón y bolonia

## TIPOS DE SALCHICHAS

La mayoría de las salchichas caen dentro de una de cuatro categorías: Frescas, ahumadas, cocidas o secas. Todas las salchichas, excepto las secas, requieren ser refrigeradas para su almacenamiento. También hay una subcategoría de salchichas ahumadas crudas.

Entre las salchichas ahumadas frescas y las crudas, encontrará sabores como kielbasa o salchicha polaca, salchicha italiana, salchichas para desayuno y muchos otros. Las salchichas ahumadas frescas y crudas requieren cocción antes de comerse y también requieren de almacenamiento refrigerado.

Las salchichas ahumadas y las cocidas incluyen al salami, a la mortadela, a los siempre populares perros calientes y a muchas otras. El ahumado adecuado requiere un ahumadero o un ahumador. Weston ofrece ahumadores de propano para estar al aire libre en varios tamaños (41-0701-W, 41-0301-W, o 41-0401-W). La mayoría de las salchichas ahumadas se calientan antes de servir. Muchas personas piensan que una salchicha ahumada va a durar mucho más tiempo sin echarse a perder, pero esto no es cierto. Las salchichas ahumadas deben ser tratadas de la misma manera que las salchichas frescas en cuanto al almacenamiento. Las salchichas secas requieren un tiempo de procesamiento más largo, ya que se secan al aire durante un largo período de tiempo. Las salchichas curadas en seco incluyen salami, chorizo y pepperoni, entre otras. Las condiciones en las que se seca la carne son muy exigentes; la temperatura, el tiempo y la humedad deben ser monitoreados cuidadosamente para obtener un producto seguro y delicioso.

## ALMACENAMIENTO

Recomendamos sellar al vacío sus salchichas frescas, luego almacenarlas en el refrigerador (por corto tiempo) o en el congelador (por largo tiempo) para obtener el mejor sabor. Weston fabrica diversas selladoras al vacío. Pida su selección al vendedor donde compró esta unidad. Almacene los productos curados secos y sin refrigerar en papel u otra envoltura transpirable.



# INFORMACIÓN DE GARANTÍA WESTON

## ¡GUARDE ESTA INFORMACIÓN DE GARANTÍA PARA SUS REGISTROS!

Weston Brands LLC garantiza al COMPRADOR AL DETALLE ORIGINAL de este producto que si funciona en cumplimiento con las instrucciones impresas adjuntas, entonces por un período de 1 año desde la fecha de compra, el producto se considerará libre de defectos respecto del material y mano de obra.

La Tarjeta de Garantía, junto con una copia del recibo original debe ser recibida por Weston Brands LLC dentro de 30 días desde la fecha de compra para hacer efectiva la garantía. Si no se envía la Tarjeta de Garantía completamente llena, junto con una copia del recibo original, anulará la garantía.

El producto debe ser enviado o despachado mediante flete prepago a Weston Brands LLC para efectuar los servicios establecidos en la garantía, en su envase original o en un envase similar que garantice igual grado de protección. El daño producto del despacho no es responsabilidad de la compañía. Weston Brands LLC cobra \$35.00 por concepto de mesón por hora. NOTA: Las reparaciones no se iniciarán sin la autorización del cliente. El costo por despacho de devolución al cliente se agregará a la factura por reparación.

Antes de devolver el producto para la Reparación según la Garantía, el producto debe estar completamente limpio y libre de partículas de alimentos u otros fragmentos. El incumplimiento del comprador respecto de esta norma resultará en el envío de la unidad sin reparación. En algunos casos, podría aplicar un sobrecargo de \$50 por concepto de limpieza.

Weston Brands LLC reparará (o a su decisión, cambiará) el producto sin cobro, si a juicio de la compañía, se ha demostrado que está defectuoso respecto de la mano de obra y material del vendedor, dentro del período de garantía.

Los cambios de productos nuevos o reacondicionados por partes defectuosas de fábrica serán suministrados por un (1) año desde la fecha de compra. Las partes cambiadas están garantizadas por el resto del período original de garantía.

Para las reparaciones que no estén cubiertas en la garantía, comuníquese con Servicio al Cliente de Weston Brands LLC al 1-800-814-4895 de lunes a viernes, desde las 8 a.m. hasta las 5pm ET (Desde fuera de los Estados Unidos comuníquese al 001-440-638-3131) para solicitar un Número de Autorización de Devolución de la Mercadería (Número RMA). Weston Brands LLC rechazará todo envío que no contenga este número. NO DEVUELVA LA UNIDAD SIN LA AUTORIZACIÓN DE WESTON BRANDS LLC.

LIMITACIONES: La garantía queda invalidada si el producto se utiliza para algún objetivo que no sea aquél para el cual está diseñado. El producto no debe haber sido previamente alterado, reparado, ni tampoco se le debe haber hecho servicio técnico por cualquier otra persona que no sea de Weston Brands LLC. Si corresponde, no se debe alterar o eliminar el número de serie. El producto no debe estar sujeto a accidentes durante el transporte o estando en posesión del cliente, no debe ser mal usado, mal tratado, u operado en forma contraria a las instrucciones de este manual. Esto incluye toda falla causada por negligencia de mantenimiento razonable o necesaria, voltaje de línea inadecuado o actos de la naturaleza. Esta garantía es intransferible y sólo se aplica a ventas realizadas en Estados Unidos y Canadá.

Salvo en la medida en que lo prohíba la ley correspondiente, ninguna otra garantía expresa o implícita, incluyendo comerciabilidad o aptitud de la garantía para un objetivo en particular, aplicará a este producto. Bajo ninguna circunstancia Weston Brands LLC será responsable de daños emergentes sostenidos en conexión con dicho producto y Weston Brands LLC no asume ni autoriza a ningún representante u otra persona a asumir por él ninguna obligación o responsabilidad que no sea aquella expresamente establecida en esta tarjeta de garantía. Toda garantía correspondiente implícita también se limita a un período de un (1) año de la garantía limitada.

Esta garantía cubre sólo el producto y sus partes específicas, no cubre los alimentos u otros productos procesados en él. Weston no se hace responsable por partes faltantes o dañadas en productos con descuento/en oferta, reventa, o en promoción final, sobre los cuales el vendedor puede no ser capaz de garantizar una funcionalidad completa, o la integridad de la unidad.

CORTE POR LA LÍNEA PUNTEADA Y ENVÍE LA TARJETA DE GARANTÍA JUNTO CON UNA COPIA DE SU RECIBO DE COMPRA ORIGINAL A

**Weston Brands LLC / WARRANTY**  
**20365 Progress Drive, Strongsville, OH 44149 USA**

## TARJETA DE GARANTÍA WESTON

ENVÍE ESTA TARJETA JUNTO CON UNA COPIA DE SU RECIBO DE COMPRA ORIGINAL A:  
WESTON BRANDS LLC/WARRANTY, 20365 PROGRESS DRIVE, STRONGSVILLE, OH 44149 USA

Nombre del Cliente: \_\_\_\_\_

Dirección: \_\_\_\_\_

Ciudad/Estado/Código Zip/País: \_\_\_\_\_

Número Telefónico: \_\_\_\_\_

Dirección de Correo Electrónico: \_\_\_\_\_

Copia del recibo  
incluido

Fecha de Compra Original: \_\_\_\_\_

Modelo del Producto #: \_\_\_\_\_

# de Serie (Si corresponde): \_\_\_\_\_







**WESTON**

RECONNECT WITH REAL FOOD

# REMP LISSEUR VERTICAL DE SAUCISSES

7 LB: 86-0701-W

11 LB: 86-1101-W

PARCE QUE NOS PRODUITS BÉNÉFICIENT DE PERFECTIONNEMENTS CONSTANTS APPORTÉS EN USINE, LES ILLUSTRATIONS PRÉSENTES PEUVENT ÊTRE LÉGÈREMENT DIFFÉRENTES DU PRODUIT REÇU. 052115

## **IMPORTANTES RÈGLES DE SÉCURITÉ**

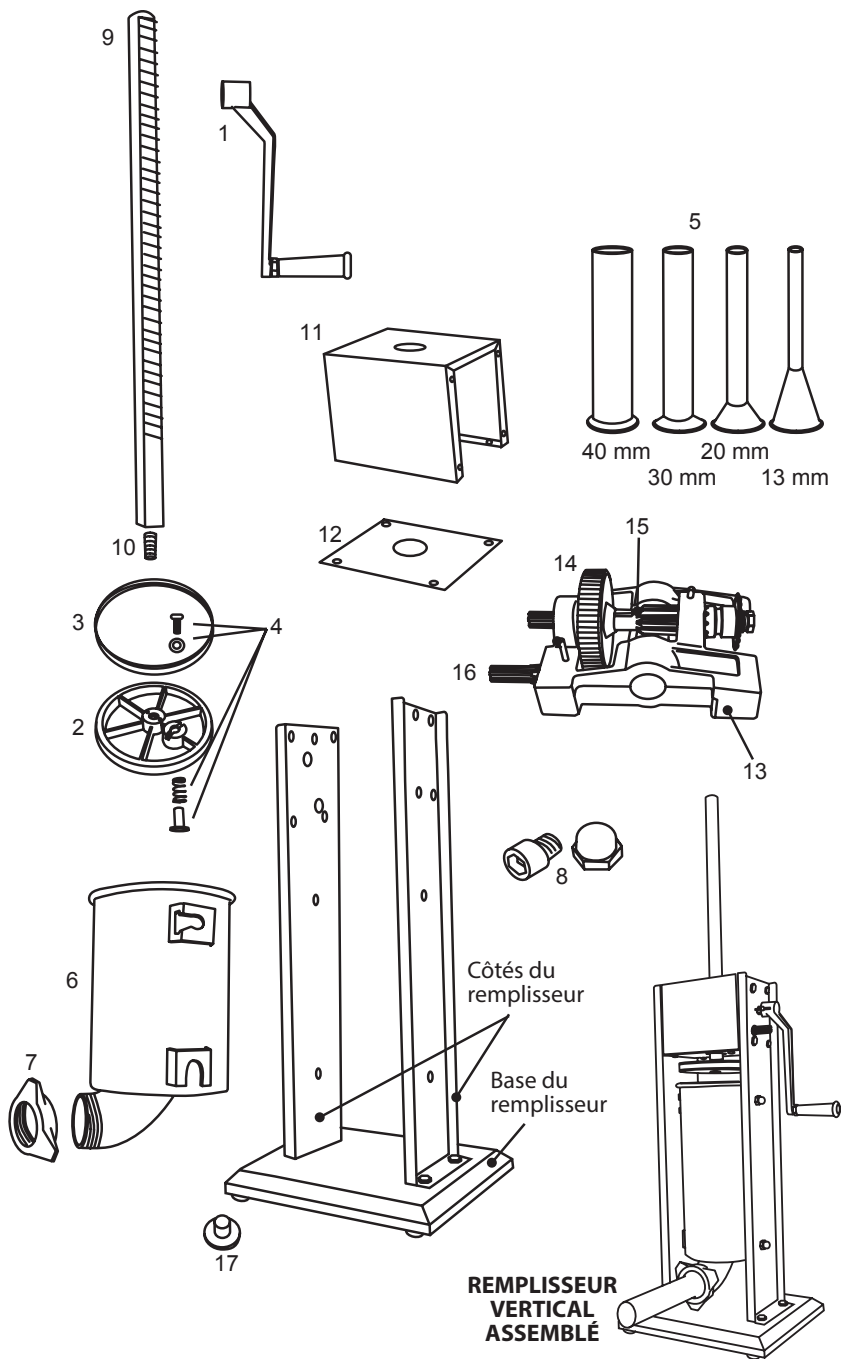
LIRE ET COMPRENDRE COMPLÈTEMENT TOUTES LES DIRECTIVES ET AVERTISSEMENTS AVANT D'UTILISER CE PRODUIT. LE PLUS IMPORTANT EST VOTRE SÉCURITÉ! LE DÉFAUT D'OBSERVER LES PROCÉDURES ET MISES EN GARDE PEUT ENTRAÎNER DES BLESSURES GRAVES OU DES DOMMAGES MATÉRIELS. N'OUBLIEZ PAS : VOTRE SÉCURITÉ PERSONNELLE EST VOTRE RESPONSABILITÉ!

1. INSPECTER POUR DÉTECTER TOUTE TRACE DE DOMMAGES DES PIÈCES. Avant d'utiliser le remplisseur, s'assurer que toutes les pièces fonctionnent correctement et effectuent les fonctions pour lesquelles elles sont destinées. Vérifier tout blocage potentiel des pièces mobiles, le montage et tout autre état qui pourrait avoir une incidence sur le fonctionnement.
2. TENIR LES ENFANTS À L'ÉCART. NE JAMAIS LAISSER L'APPAREIL SANS SUPERVISION. Le remplisseur n'est pas un jouet.
3. Le fabricant décline toute responsabilité en cas d'utilisation inappropriée du remplisseur. Toute utilisation inappropriée du remplisseur ANNULERA la garantie.
4. NE JAMAIS placer ou laisser le remplisseur à des températures de moins de 0 °C (32 °F).
5. Seul un revendeur agréé est en droit d'effectuer des réparations. Utiliser uniquement des pièces et des accessoires d'origine de l'usine. Toute modification apportée au remplisseur ANNULERA la garantie.
6. S'assurer que le remplisseur est stable pendant l'utilisation. Les quatre pieds doivent être sécurisés sur une surface à niveau. Le remplisseur ne doit pas bouger pendant le fonctionnement.
7. NE JAMAIS utiliser le remplisseur avec le couvercle du boîtier d'engrenages ouvert ou retiré.
8. PORTER UNE PROTECTION POUR LES YEUX! Les lunettes de vue ne sont pas des lunettes de sécurité. Les lunettes de sécurité doivent être conformes aux exigences de la norme ANSI Z87.1. Remarque: Les lunettes de sécurité agréées ont la marque Z87 imprimée ou gravée dessus.
9. NE PAS utiliser sous l'effet d'alcool et de drogue.
10. Utilisation domestique uniquement.

## **CONSERVER CES DIRECTIVES!**



# INSTRUCTIONS EN FRANÇAIS





# DESCRIPTION DE LA PIÈCE

NUMÉRO DE SCHÉMA	DESCRIPTION DE LA PIÈCE	NUMÉRO DE LA PIÈCE
1	MANIVELLE	86-0710
2	POUSSOIR	86-1126
3	JOINT DU POUSSOIR	86-0716
4	VALVE DE SURPRESSION (JEU DE 4 PIÈCES)	86-0715
5	JEU D'ENTONNOIRS EN ACIER INOXYDABLE (4 ENTONNOIRS)	86-0720
6	CONTENANT EN ACIERS INOXYDABLE	7 LB: 86-0712 11 LB: 86-1112
7	ÉCROU ANNULAIRE AVANT	86-0721
8	KIT DE QUINCAILLERIE DE MONTAGE DU CONTENANT (4 JEUX)	86-0722
9	AXE DU POUSSOIR	7 LB: 86-0711 11 LB: 86-1111
10	BOULON DU POUSSOIR	86-1125
11	COUVERCLE DU BOÎTIER D'ENGRENAGES AVEC KIT DE QUINCAILLERIE	86-1113
12	PLAQUE INFÉRIEURE DU COUVERCLE DU BOÎTIER D'ENGRENAGES AVEC KIT DE QUINCAILLERIE	86-1114
13	BOÎTIER D'ENGRENAGES AVEC KIT DE QUINCAILLERIE	86-1117
14	ENGRENAGE D'ENTRAÎNEMENT PRINCIPAL	86-1119
15	ENGRENAGE DE CONTRÔLE DE LA VITESSE BASSE	86-1120
16	ENGRENAGE DE CONTRÔLE DE LA VITESSE RAPIDE	86-1121
17	PIED CAOUTCHOUTÉ (JEU DE 4 PIÈCES)	86-0717

N'hésitez pas à visiter notre site [Web WestonProduct.com/support](http://WebWestonProduct.com/support) si un composant est cassé, l'outil fonctionne mal, ou pour commander un nouveau mode d'emploi.

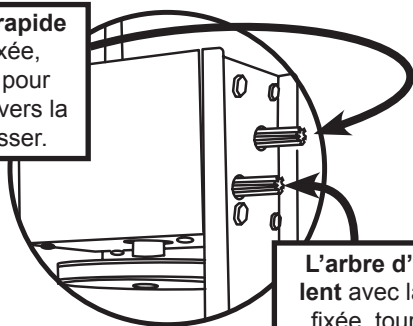
[WestonProducts.com](http://WestonProducts.com)

Veuillez appeler Weston Brands, LLC au numéro sans frais : **1-800-814-4895**

Du lundi au vendredi: de 8h00 à 17h00 ET. En dehors des États-Unis, veuillez appeler le 001-440-638-3131

## MOUVEMENT DES ENGRENAGES

L'arbre d'engrenage rapide avec la manivelle fixée, tourner vers la droite pour relever le **poussoir** et vers la gauche pour le rabaisser.



L'arbre d'engrenage lent avec la manivelle fixée, tourner vers la gauche pour relever le **poussoir** et vers la droite pour le rabaisser.

L'ARBRE D'ENGRENAGE RAPIDE EST MIEUX POUR LE MONTAGE ET LE DÉMONTAGE. PAS L'IDÉAL POUR BOURRAGE

# MONTAGE

## POUSOIR

1. Glissez le joint du poussoir sur le poussoir (**FIGURE 1**).

2. Assemblez le kit de valve de surpression dans le poussoir. Depuis le dessus du poussoir, placez la rondelle sur le trou de la valve et insérez ensuite la vis par la rondelle dans le trou de la valve. Depuis le dessous du poussoir, placez le ressort sur l'extrémité de la vis, puis placez le capuchon de la valve sur l'extrémité de la vis et tordez pour sécuriser.

3. Glissez le joint du poussoir dans l'axe du poussoir (**FIGURE 2**).

4. Placez le poussoir assemblé sur l'extrémité de l'axe du poussoir (**FIGURE 3**).

## POUSOIR

5. Attachez la manivelle en la glissant soit sur l'engrenage rapide soit sur l'engrenage lent (**FIGURE 4**).

6. Tournez la manivelle pour que le poussoir se trouve sur le dessus du remplisseur.

FIGURE 1

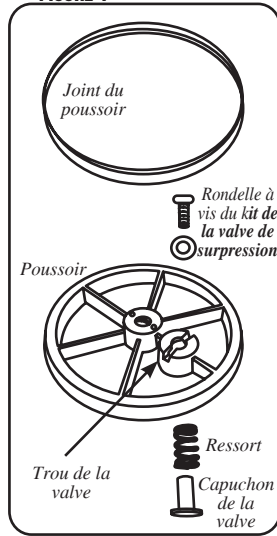


FIGURE 2

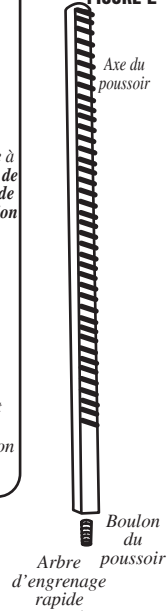


FIGURE 4

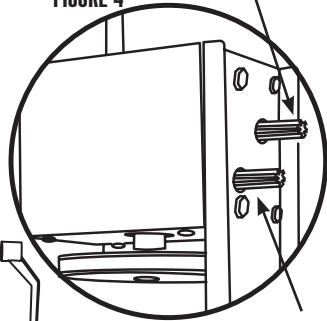
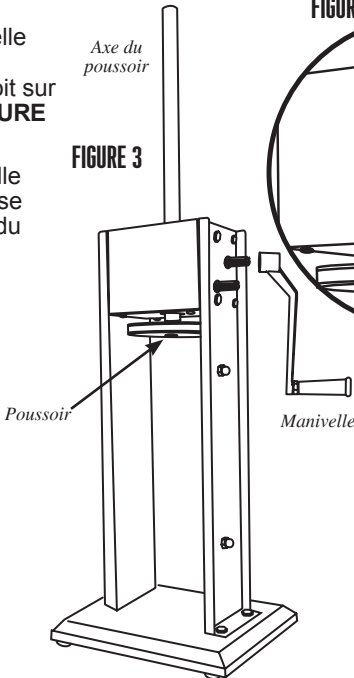


FIGURE 3



7. Posez les brides inférieures du contenant sur les supports du contenant à l'intérieur du boîtier du remplisseur. Faites tourner le fond du contenant dans le boîtier du remplisseur. Faites tourner complètement le contenant dans le boîtier du remplisseur en enclenchant les brides supérieures dans les supports du contenant (FIGURE 5).

8. Insérez l'entonnoir de bourrage de votre choix par l'écrou annulaire avant. Vissez l'écrou annulaire avant et l'entonnoir de bourrage dans la bouche du contenant jusqu'au serrage. NE PAS SERRER AVEC EXCÈS l'écrou annulaire avant sous risque d'endommager l'entonnoir (FIGURE 6).

9. Enduisez bien l'intérieur du contenant avec un lubrifiant de qualité alimentaire avant de l'utiliser (FIGURE 7).

FIGURE 5

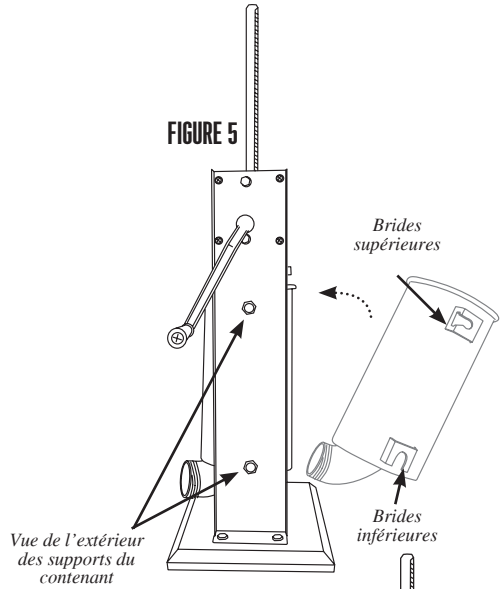


FIGURE 6

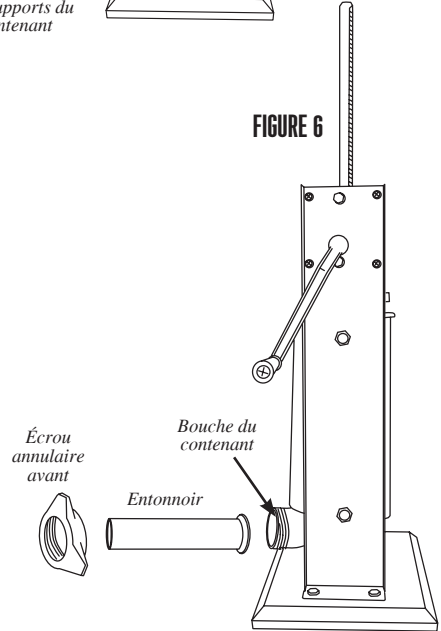
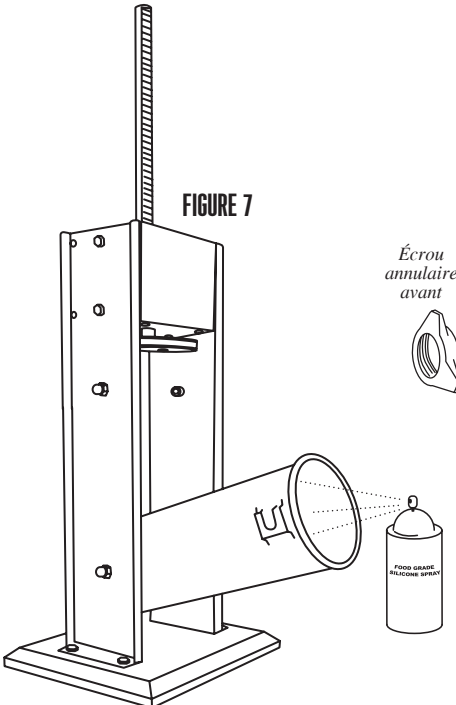


FIGURE 7



## DÉMONTAGE ET NETTOYAGE

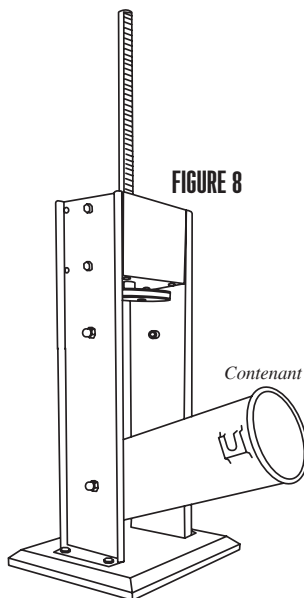
1. Retirez l'entonnoir de bourrage en dévissant l'écrou annulaire avant et dégageant l'entonnoir.
2. Tournez la manivelle jusqu'à ce que le poussoir remonte et sorte du contenant.
3. Faites tourner le contenant vers l'extérieur et tirez le contenant vers le haut pour le dégager du boîtier du remplisseur.
4. Dévissez le poussoir de l'axe du poussoir. Détachez le clapet de surpression du poussoir. Retirez le joint du poussoir.
5. Lavez toutes les pièces qui entrent en contact avec la viande dans de l'eau savonneuse. **TOUJOURS NETTOYER LES PIÈCES IMMÉDIATEMENT APRÈS EMPLOI.** Rincez et séchez bien toutes les pièces immédiatement. Stérilisez selon les besoins.
6. Lubrifiez bien l'axe, le contenant, les composants de la valve de surpression et l'écrou annulaire avant avec un lubrifiant de qualité aliment

## INSTRUCTIONS DE BOURRAGE

**ATTENTION !** Lorsque vous relevez le poussoir pour le sortir du contenant, **RELÂCHEZ LA MANIVELLE LENTEMENT!** La pression ou la gravité peuvent forcer la manivelle à tourner légèrement vers l'arrière ce qui entraînerait des blessures.

REMARQUE: Appliquer un lubrifiant de qualité alimentaire sur l'intérieur du contenant avant de le remplir de mélange de viandes.

1. Inclinez le contenant vers l'avant.
2. Remplissez le contenant du mélange de viande et d'assaisonnements (**FIGURE 8**).
3. Poussez fermement le mélange vers le bas dans le contenant pour que l'air piégé puisse s'échapper.
4. Faites tourner le contenant vers l'arrière en position verticale et enclenchez les brides supérieures dans les supports du contenant.
5. Tournez la manivelle jusqu'à ce que le poussoir entre en contact avec la viande et que le mélange est prêt à sortir de l'autre côté de l'entonnoir de bourrage.



6. Glissez l'enveloppe sur l'extrémité de l'entonnoir de bourrage jusqu'à ce que l'enveloppe entière soit passée sur l'entonnoir (FIGURE 9).

7. Attachez, tordez ou serrez avec un anneau l'extrémité de l'enveloppe pour le sceller.

8. Tournez la manivelle pour faire sortir le mélange et le verser dans l'enveloppe. Pour faciliter l'opération, exercez une pression autour de l'enveloppe, près de l'extrémité de l'entonnoir de bourrage. Ce faisant, l'enveloppe est bien serrée et le mélange sera emballé fermement dedans.

9. Lorsque le fond de l'enveloppe est atteint, tordez ou serrez l'enveloppe avec un anneau pour sceller le contenant à l'intérieur.

**CONSEILS POUR LE BOURRAGE:** Vous trouverez ci-dessous des suggestions pour réduire la résistance lors du bourrage avec un entonnoir de bourrage de 13 mm.

A. Ajoutez de l'eau dans votre mélange de viandes – jusqu'à 0,4 L (1-1/2 tasses) d'eau pour 2,3 kg (5 lb) de viande assaisonnée.

B. Ajoutez 60 ml (1/4 tasse) d'huile végétale ou d'olive dans le mélange de viandes pour faciliter le flux.

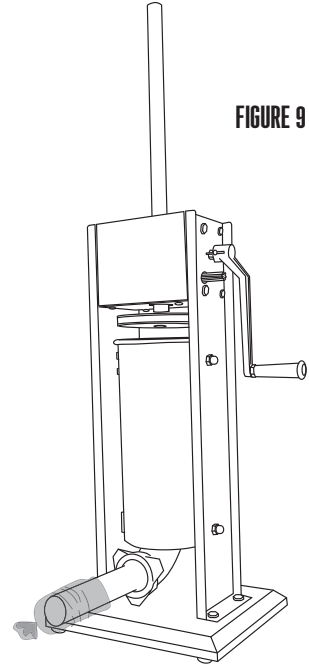


FIGURE 9

# SÉCURITÉ ALIMENTAIRE

Il y a des règles fondamentales à suivre lors de la manipulation d'aliments. Elles sont **CUIRE, SÉPARER, NETTOYER, et REFROIDIR RAPIDEMENT.**

## CUIRE

Il est crucial de cuire les aliments à une température interne sûre pour détruire les bactéries qui sont présentes. La sécurité des hamburgers et autres aliments faits avec de la viande hachée a reçu dernièrement beaucoup d'attention, et pour une bonne raison. Quand la viande est hachée, les bactéries présentes sur la surface sont mélangées dans l'ensemble du mélange haché. Si cette viande hachée n'est pas cuite jusqu'à au moins 71oC à 74oC (160oF à 165oF), les bactéries ne seront pas détruites et il y a une forte chance que cela vous rendra malade.

Des morceaux solides de viande comme des steaks et côtelettes n'ont pas de bactéries dangereuses comme E. coli à l'intérieur, donc ils peuvent être servis plus saignants. Quand même, tout morceau de bœuf doit être cuit à une température interne d'au moins 63oC (145oF) (mi-saignant). La température sûre pour la volaille est 75oC (165oF) et les morceaux de viande entier de porc doivent être cuits à 71oC (160oF).

## SÉPARER

Les aliments qui seront mangés crus et les aliments qui seront cuits avant d'être mangés **DOIVENT TOUJOURS** être séparés. La contamination croisée se produit quand des viandes crues ou des œufs viennent en contact avec des aliments qui seront mangés crus. Ceci est une source principale d'intoxication alimentaire. Enveloppez toujours deux fois les viandes crues et placez-les sur l'étagère la plus basse dans le réfrigérateur de manière qu'aucun jus ne puisse goutter sur les fruits et légumes crus. Puis utilisez les viandes crues entre 1 et 2 jours après l'achat, ou congelez-les pour les conserver plus longtemps. Décongelez les viandes congelées dans le réfrigérateur, pas sur le comptoir.

Quand vous grillez ou cuisez des viandes ou des poissons crus, assurez-vous de mettre la viande cuite sur un plat propre. N'utilisez pas le même plat que vous avez utilisé pour transporter les aliments avant de les mettre sur le grill. Lavez les ustensiles utilisés pour griller après que les aliments sont tournés pour la dernière fois sur le grill, aussi bien que les spatules et cuillers utilisées pour faire sauter à feu vif en remuant ou pour tourner la viande au fur et à mesure qu'elle cuit.

Assurez-vous de bien laver vos mains après avoir manipulé des viandes crues ou des œufs crus. Se laver les mains avec du savon et de l'eau, ou utiliser une lingette antibactérienne pré-humidifiée est absolument nécessaire après avoir touché de la viande crue ou des œufs crus. Ne pas se laver les mains et les surfaces pendant la cuisine est une cause majeure de contamination croisée.

## NETTOYER

Lavez fréquemment vos mains et les surfaces de travail lorsque vous cuisinez. Lavez avec du savon et de l'eau chaude pendant au moins 15 seconds, puis séchez avec une serviette en papier.

## REFROIDIR RAPIDEMENT

La réfrigération rapide des aliments est très importante. La zone de danger où les bactéries se multiplient est entre 4oC et 60oC (40oF et 140oF). Votre réfrigérateur doit être réglé à 4oC (40oF) ou en-dessous; votre congélateur doit être à -17oC (0oF) ou en-dessous. Une règle simple : servir chaud les aliments chauds, servir froid les aliments froids. Utilisez des réchauds ou plaques chauffantes pour garder les aliments chauds pendant le service. Utilisez des bains d'eau glacée pour garder au froid les aliments froids. Ne jamais laisser des aliments à la température ambiante pendant plus de deux (2) heures - 1 heure si la température ambiante est 32oC (90oF) ou au-dessus. Lorsque vous emballez les aliments pour un pique-nique, assurez-vous que les aliments sont déjà refroidis rapidement lorsqu'ils sont mis dans le panier à pique-nique isotherme. Le panier à pique-nique ne refroidira pas les aliments – il garde simplement les aliments froids lorsqu'il est emballé correctement avec de la glace. Les aliments cuits chauds doivent être placés dans des conteneurs peu profonds et immédiatement réfrigérés pour qu'ils se refroidissent rapidement. Assurez-vous de bien couvrir les aliments après qu'ils sont froids.

**REMARQUE :** Des considérations particulières doivent être prises lors de l'utilisation de venaison ou d'autre gibier sauvage, puisqu'ils peuvent devenir très contaminés durant l'opération de dépouille. La venaison est souvent gardée à des températures qui pourraient potentiellement permettre la croissance de bactéries, tel que lorsque celle-ci est transportée. Se référer au Département de la viande et de la volaille de l'USDA (USDA Meat and Poultry Department) pour d'autres questions ou informations sur la sécurité de la viande et des aliments.

# INFORMATIONS SUR LES SAUCISSES

## CHOIX DE VIANDE POUR LA FABRICATION DE SAUCISSE

La fabrication de saucisse s'est développée au cours des nombreuses années et générations, et il en résulte qu'un nombre incalculable de type de saucisses peuvent être fabriquées en utilisant les ingrédients de base de la viande, matière grasse et quelques épices soigneusement mélangées. Ci-dessous, vous trouverez quelques indications simples qui vous aideront à faire des saucisses avec le meilleur goût possible.

Tout type de viande peut être utilisé pour faire des saucisses : porc, bœuf, bison, original et caribou, même l'antilope font de la très bonne saucisse. Il est important lors de la préparation de venaison ou d'autres viandes de gibier rouges d'enlever la matière grasse de la viande, car le suif de gibier rouge rancira en aussi peu que cinq jours. Remplacez la matière grasse avec soit de la graisse de porc ou de bœuf, suivant le type de produit que vous faites, à un taux de 0,5 kg (1 livre) de graisse pour chaque 1,8 g (4 livres) de viande de gibier.

La teneur en matière grasse de vos saucisses affectera le goût, la texture, les caractéristiques de cuisson et la durée de conservation de votre produit. La plupart des saucisses fabriquées commercialement ont une teneur en matière grasse d'environ 20%. En utilisant moins de 12% de matière grasse, vous obtiendrez des saucisses avec un goût très sec, alors que si vous utilisez plus de 20%, cela peut résulter en des saucisses collantes et sans goût qui seront très difficiles à cuire.

## SAUMURAGE

Il est important de saumer correctement les viandes pour conserver la viande et la volaille, et pour détruire les microorganismes indésirables sur les surfaces de la viande qui causent la détérioration et des maladies d'origine alimentaire. Il y a de nombreuses étapes qui aident à ce processus, y compris la fumaison, la cuisson, le séchage, le refroidissement rapide et l'addition d'ingrédients de saumure. Le plus ancien moyen d'accomplir cela est en introduisant le sel dans la viande. La résistance des bactéries au sel varie beaucoup parmi les différents types de bactéries. Le développement de certaines bactéries est inhibé par des concentrations en sel aussi basses que 3%, par exemple, Salmonella, alors que d'autres types peuvent survivre dans de plus hautes concentrations en sel, par exemple, Staphylococcus. Heureusement, le développement de nombreux microorganismes indésirables normalement trouvés dans les viandes et produits de volaille saumurés est inhibé à des basses concentrations de sel.

Le saumurage moderne est basé sur les Nitrates et est très scientifique. Achetez le sel de salage rose Weston (02-0000-W) et suivez les instructions fournies pour vous assurer que vous faites correctement votre saucisse maison.

## BOYAUX

Weston offre une variété complète de boyaux. Le bon choix dépend de la préférence personnelle aussi bien que le type de saucisse que vous désirez faire. Pour la plupart des saucisses, vos choix sont "naturel" ou "collagène". Ne laissez pas les noms vous tromper; les boyaux en collagène ne sont pas un produit synthétique. Ils sont fabriqués à partir de peau de bœuf et d'autres tissus. Les boyaux en collagène sont uniformes en taille et en texture et ne nécessitent presque aucune préparation. Les boyaux "Naturels" sont les intestins d'agneau, de mouton, porc ou bœuf. Ils sont moins uniformes en taille et nécessitent une préparation. Il existe également des boyaux non comestibles en matière fibreuse qui sont le plus couramment utilisés pour le saucisson d'été et la mortadelle.

## TYPES DE SAUCISSE

La plupart des saucisses se situent dans une des quatre catégories : Fraîche, Fumée, Cuite ou Sèche. Toutes les saucisses, sauf les sèches, exigent l'entreposage frigorifique. Il y a aussi une sous-catégorie de saucisses fumées non cuites.

Parmi les saucisses fraîches et fumées non cuites, vous trouverez des arômes tels que la kielbasa ou saucisse polonaise, saucisse italienne, saucisse petit déjeuner et beaucoup d'autres. Les saucisses fraîches aussi bien que les saucisses fumées non cuites doivent être cuites avant de les manger et elles nécessitent aussi l'entreposage frigorifique.

Les saucisses fumées et cuites comprennent le salami, le saucisson de Bologne, les toujours aussi populaires hot-dogs et de nombreux autres. La fumaison correcte nécessite un four ou appareil pour fumer les aliments. Ceux-ci peuvent être simplement des structures faites maison à partir de bidons Weston offre des fumeurs extérieurs au propane dans une panoplie de grosseurs (41-0701-W, 41-0301-W, ou 41-0401-W). La plupart des saucisses fumées sont réchauffées avant de servir. Un grand nombre de personnes pensent qu'une saucisse fumée durera plus longtemps sans altération, mais cela n'est pas vrai. Les saucisses fumées doivent être traitées de la même manière que les saucisses fraîches en termes d'entreposage.

Les saucisses sèches exigent le temps de transformation le plus long, puisqu'elles sont séchées à l'air pendant une longue période de temps. Weston offre des fumeurs extérieurs au propane dans une panoplie de grosseurs (41-0701-W, 41-0301-W, ou 41-0401-W). Les conditions sous lesquelles la viande est séchée sont très exigeantes; la température, la durée et l'humidité doivent toutes être soigneusement surveillées pour avoir un produit sûr et délicieux.

## ENTREPOSAGE

Pour obtenir de meilleures saveurs, nous recommandons le scellage sous vide pour les saucisses fraîches, puis de les entreposer dans le réfrigérateur (à court terme) ou au congélateur (à long terme). Weston fabrique une variété d'appareils d'emballage sous vide. Demandez au détaillant où vous avez acheté cet appareil de vous parler de sa sélection. Conservez les produits salés à sec dans du papier ou un autre emballage qui respire, non réfrigéré.



# INFORMATION SUR LA GARANTIE

## CONSERVEZ CETTE INFORMATION SUR LA GARANTIE POUR VOS DOSSIERS!

Weston Brands LLC garantit à l'ACHETEUR AU DÉTAIL D'ORIGINE de ce produit contre tout défaut en matériau et en main-d'œuvre pendant un (2) ans à partir de la date d'achat à condition qu'il soit utilisé conformément aux directives imprimées qui y sont jointes.

La Carte de Garantie, avec une copie du reçu original, doivent être reçus par Weston Brands LLC dans les trente (30) jours à partir de la date d'achat pour que la garantie puisse s'appliquer. Le manque d'envoyer la Carte de Garantie complètement remplie avec une copie du reçu original annulera la garantie.

Le produit doit être livré à ou expédié franco de port à Weston Brands LLC pour les services de garantie, soit dans son emballage d'origine ou un emballage similaire offrant un degré de protection équivalent. Les dommages causés par l'expédition ne sont pas la responsabilité de la société. Weston Brands LLC charge 35,00 \$ par heure pour frais de service. **REMARQUE** : Aucune réparation ne sera commencée sans l'autorisation du client. Les frais d'expédition de retour seront ajoutés à la facture de réparation.

Avant de renvoyer le produit pour une réparation sous garantie, bien nettoyer le produit pour qu'il soit exempt de toute particule alimentaire ou autres débris. Si l'acheteur ne respecte pas cette consigne, le produit lui sera renvoyé sans avoir été réparé. Dans certains, la somme de 50 dollars sera facturée pour le nettoyage.

Weston Brands LLC réparera (ou à sa discrétion, remplacera) le produit sans frais, si à l'opinion de la société, il a été prouvé être défectueux en matériau et en main d'œuvre dans la période de garantie.

Des remplacements neufs ou remis en état pour les pièces d'usine défectueuses seront fournis pendant de (2) ans à partir de la date d'achat. Les pièces de remplacement sont garanties pour le reste de la période de garantie originale.

Pour les réparations non garanties, veuillez contacter le Service à la clientèle de Weston Brands LLC au numéro sans frais 1-800-814-4895, du lundi au vendredi, de 8h00 à 17h00 ET (en dehors des Etats-Unis : 001-440-638-3131) pour obtenir une Autorisation de retour d'article (Numéro RMA). Weston Brands LLC refusera tous les retours qui ne contiennent pas ce numéro. **NE PAS RENVoyer CET APPAREIL SANS L'AUTORISATION CORRECTE DE Weston Brands LLC.**

**LIMITATIONS** : La garantie est annulée si le produit est utilisé pour toute raison autre que pour laquelle il est conçu. Le produit ne doit pas avoir été antérieurement modifié, réparé, ou entretenu par quelqu'un autre que Weston Brands LLC. Le cas échéant, le numéro de série ne doit pas être modifié ou enlevé. Le produit ne doit pas avoir été soumis à un accident en transit ou pendant qu'il est en la possession du client, mal utilisé, mal traité, ou utilisé contrairement aux directives contenues dans le manuel d'utilisation. Ceci comprend la défaillance causée par la négligence d'un entretien raisonnable et nécessaire, une tension de secteur incorrecte et des catastrophes naturelles. Cette garantie n'est pas transférable et s'applique seulement aux ventes américaines et canadiennes.

A l'exception des cas où la loi en vigueur l'interdit, aucune autre garantie, expresse ou implicite, y compris les garanties relatives au caractère adéquat pour la commercialisation ou un usage particulier, ne s'appliquera à ce produit. Weston Brands LLC ne sera en aucun cas responsable des dommages indirects liés au dit produit et Weston Brands LLC n'a aucune obligation ni responsabilité autre que celles expressément établies dans la présente, et n'autorise aucun représentant ou autre personne à les assumer pour lui. Toutes garanties implicites applicables sont aussi limitées à la période de (2) ans de la garantie limitée.

Cette garantie couvre seulement le produit et ses pièces spécifiques, pas les aliments ou autres produits traités dans celui-ci. Weston n'est pas responsable des pièces manquantes ou endommagées pour les articles réduits/en solde ou les articles finaux de vente où le vendeur peut ne pas être en mesure de garantir l'ensemble de la fonctionnalité ou l'intégralité de l'unité.

**DÉCOUPEZ LE LONG DE LA LIGNE POINTILLÉE ET ENVOYEZ CETTE CARTE DE GARANTIE AVEC UNE COPIE DE VOTRE REÇU D'ACHAT ORIGINAL À :**

**Weston Brands LLC / WARRANTY  
20365 Progress Drive, Strongsville, OH 44149 USA**

## CARTE DE GARANTIE

ENVOYEZ CETTE CARTE DE GARANTIE AVEC UNE COPIE DE VOTRE REÇU D'ACHAT ORIGINAL À :  
WESTON BRANDS LLC / WARRANTY, 20365 PROGRESS DRIVE, STRONGSVILLE, OH 44149 USA

Nom du Client: \_\_\_\_\_

Adresse: \_\_\_\_\_

Province/Code postal/Région: \_\_\_\_\_

Numéro de téléphone: \_\_\_\_\_

Adresse de courrier électronique: \_\_\_\_\_

Date d'achat d'origine: \_\_\_\_\_ Copie du reçu incluse

No de modèle du produit: \_\_\_\_\_

No de série (s'il y a lieu): \_\_\_\_\_

J'ai lu les informations relatives à la garantie. Initiales ici: \_\_\_\_\_









## **ATTENTION!**

PLEASE INSPECT THIS PACKAGE THOROUGHLY FOR MISSING PARTS OR ANY PRODUCT DAMAGE. IF YOUR PRODUCT CONTAINS SHIPPING DAMAGE, PLEASE CONTACT RETAILER FOR ASSISTANCE.

For all other questions regarding product usage, missing parts, product damage, difficulty or warranty activation, please contact the Weston Brands Customer Service Team:  
8:00 am to 5:00 pm ET, Monday thru Friday

[CustomerService@WestonProducts.com](mailto:CustomerService@WestonProducts.com)

U.S. Residents Customer Service Line: 1-800-814-4895 (Outside U.S. Call: 001-440-638-3131)

Weston Brands LLC, Cleveland, Ohio 44149

[WestonProducts.com](http://WestonProducts.com)

Please DO NOT return this item to the retailer before contacting  
Weston Brands Customer Service.

## **SAVE THESE INSTRUCTIONS!**

*Refer to them often and use them to instruct others.*

## **ATTENTION!**

*VEUILLEZ INSPECTER CET EMBALLAGE AVEC SOIN POUR Y DÉTECTER  
TOUTE PIÈCE MANQUANTE OU ENDOMMAGÉE.  
SI DES PIÈCES ONT ÉTÉ ENDOMMAGÉES PENDANT LE TRANSPORT, VEUILLEZ  
COMMUNIQUER AVEC LE DÉTAILLANT POUR OBTENIR DE L'AIDE.*

*Pour toutes les autres questions concernant l'utilisation du produit, les pièces manquantes, les problèmes ou l'activation de la garantie, veuillez communiquer avec l'équipe du service clientèle des produits Weston: de 8:00 à 17:00 HNE, du lundi au vendredi.*

[CustomerService@WestonProducts.com](mailto:CustomerService@WestonProducts.com)

Numéro de téléphone du service clientèle pour les résidents des É.-U. : 1-440-638-3131

Numéro de téléphone à l'extérieur des É.-U. : 001-440-638-3131 Weston Brands LLC,

Weston Brands LLC, Cleveland, Ohio 44149

[WestonProducts.com](http://WestonProducts.com)

*Veillez communiquer avec le service clientèle des produits Weston AVANT de retourner cet appareil au détaillant.*

## **CONSERVER CES DIRECTIVES!**

*Veillez les consulter fréquemment et les utiliser pour la formation.*

## **¡ATENCIÓN!**

Revise completamente el envase y compruebe que no falten partes o que algún producto esté dañado. si el producto está dañado por el transporte, solicite asistencia al distribuidor.

Para todas aquellas preguntas referentes al uso del producto, partes faltantes, daño del producto, dificultad o activación de la garantía, comuníquese con el equipo de servicio al cliente de weston Brands: desde las 8:00 am hasta las 5:00 pm ET, de lunes a viernes

[CustomerService@WestonProducts.com](mailto:CustomerService@WestonProducts.com)

Línea de Servicio al Cliente para Residentes de EE.UU.: 1.800.814.4895 (Fuera de EE.UU., llame al: 001-1-440-638-3131) Weston Brands LLC, Cleveland, Ohio 44149

[WestonProducts.com](http://WestonProducts.com)

NO devuelva este artículo al vendedor minorista antes de comunicarse con Servicio al Cliente de Weston Brands.

## **¡GUARDE ESTAS INSTRUCCIONES!**

*Consulte estas instrucciones y úselas para enseñar sobre el uso de este producto a otras personas.*