

COMPACT UNDERCOUNTER REFRIGERATORS

MODEL: MXCR27U-FBHC



MXCR27U-FBHC

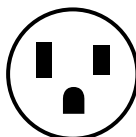
The Maxx Cold Front-Breathing Undercounter Refrigerator is designed for performance. The compact undercounter refrigerator makes the most of available space and the stainless steel exterior provides durability and ensures years of reliable service.

FEATURES AND CONSTRUCTION

- Durable, easy to clean stainless steel exterior
- Painted aluminum interior
- Easy to grip recessed door handle
- Supplied with one (1) adjustable heavy-duty wire shelf
- Equipped with four (4) 3" swivel casters
- Solid state digital control system
- LED temperature display
- Automatic defrost system
- Equipped with integrated condensate evaporator therefore no drain line connection is needed
- Urethane insulated walls and doors
- Accommodates full-size sheet pans
- Compact front-breathing design accommodates tight spaces

ELECTRIC

115V / 60Hz / 1Ph
 (230V / 50-60Hz / 1Ph is available as an option)
 6' (2m) NEMA 5-15P cord set included



NEMA 5-15P

NET STORAGE CAPACITY

MXCR27U-FBHC 6.5 Cu Ft (184 L)

TEMPERATURE

Holding temperature 33°F to 41°F (1°C to 5°C)

- Efficient forced-air refrigeration system

3RD PARTY APPROVALS



Intertek

Certified to ANSI NSF 7



Intertek

Certified to ANSI UL 471



Zero Ozone Depletion Potential

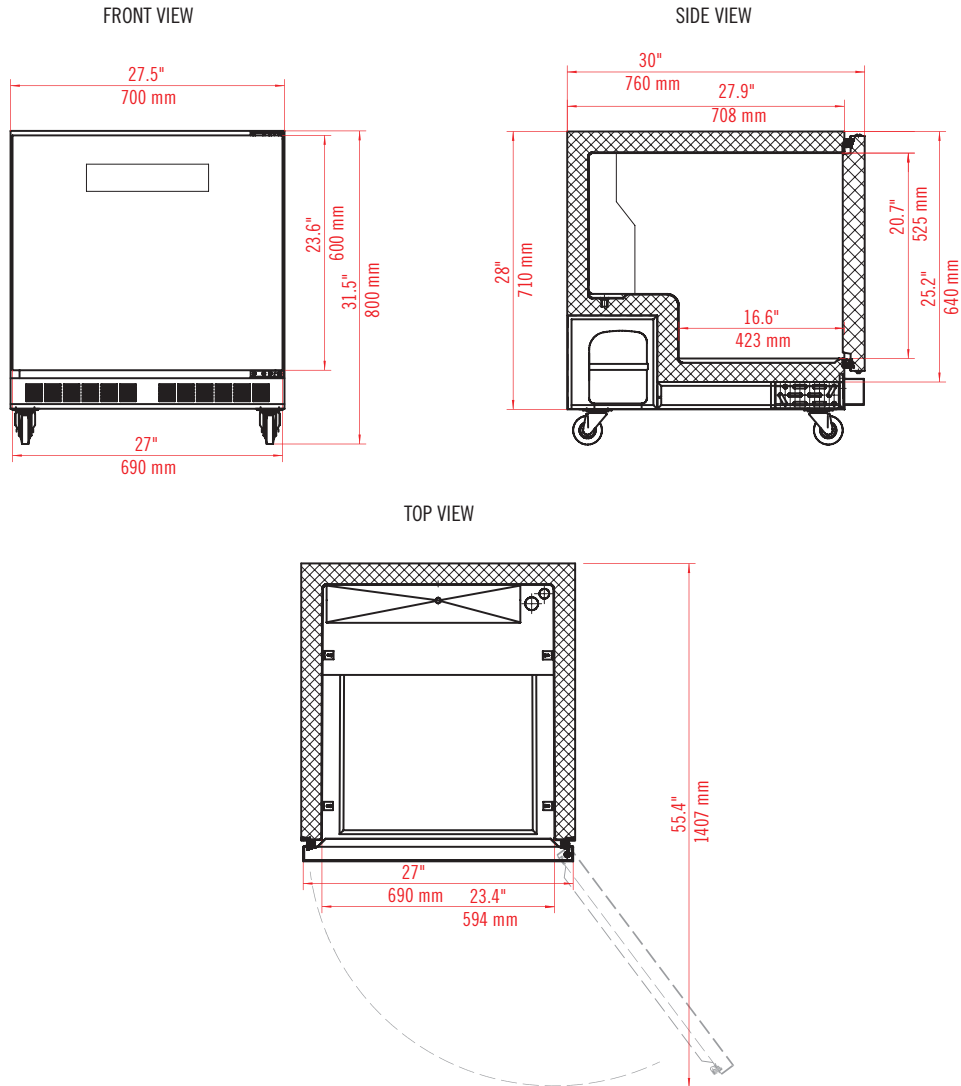


DOE 2018 Compliant

MAXX COLD WARRANTY (USA / CANADA)

Contact Maxx Cold for warranty statement at
 TechnicalServices@TheLegacyCompanies.com or 877.368.2797

MXCR27U-FBHC



MODEL	EXTERNAL DIMENSIONS	INTERNAL DIMENSIONS	NET CAPACITY	HOLDING TEMPERATURE RANGE	AMP DRAW	SHIPPING WEIGHT	REFRIGERANT AND CHARGE SIZE	DOORS / SHELVES	ELECTRICAL
MXCR27U-FBHC	27.5" x 30" x 31.5" (700 x 760 x 800 mm)	23.4" x 16.6" x 20.7" (594 x 423 x 525 mm)	6.5 Cu Ft (184 L)	33°F to 41°F (1°C to 5°C)	1.5A	243 lbs (110 kg)	R-600a 2.47 oz (68 g)	1 / 1	115V / 60Hz / 1Ph

INSTALLATION

- Shorter caster options are available to lower the overall height of the unit to satisfy ADA or other low profile requirements

UNDERCOUNTER REFRIGERATORS

MODEL: MXCR27UHC MXCR48UHC MXCR60UHC MXCR72UHC



MXCR27UHC



MXCR48UHC



MXCR60UHC



MXCR72UHC

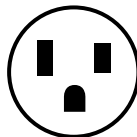
Maxx Cold stainless steel Undercounter Refrigerators are designed to provide the user with maximum storage, energy savings and cold, accurate temperatures. Our undercounter models allow for easy accessibility, optimum capacity and flexibility for quick and efficient food preparation.

FEATURES AND CONSTRUCTION

- Durable, easy to clean stainless steel exterior
- Painted aluminum interior
- Easy to grip recessed door handles
- Adjustable heavy-duty wire shelves (1 per section/door)
- Equipped with four (4) 3" swivel casters
- Solid state digital control system
- LED temperature display
- Automatic defrost system
- Equipped with integrated condensate evaporator therefore no drain line connection is needed
- Urethane insulated walls and doors
- Accommodates full-size sheet pans

ELECTRIC

115V / 60Hz / 1Ph
 (230V / 50-60Hz / 1Ph is available as an option)
 6' (2m) NEMA 5-15P cord set included



NEMA 5-15P

3RD PARTY APPROVALS



Intertek

Certified to ANSI NSF 7



Intertek

Certified to ANSI UL 471



Zero Ozone Depletion Potential



DOE 2018 Compliant

MAXX COLD WARRANTY (USA / CANADA)

Contact Maxx Cold for warranty statement at
 TechnicalServices@TheLegacyCompanies.com or 877.368.2797

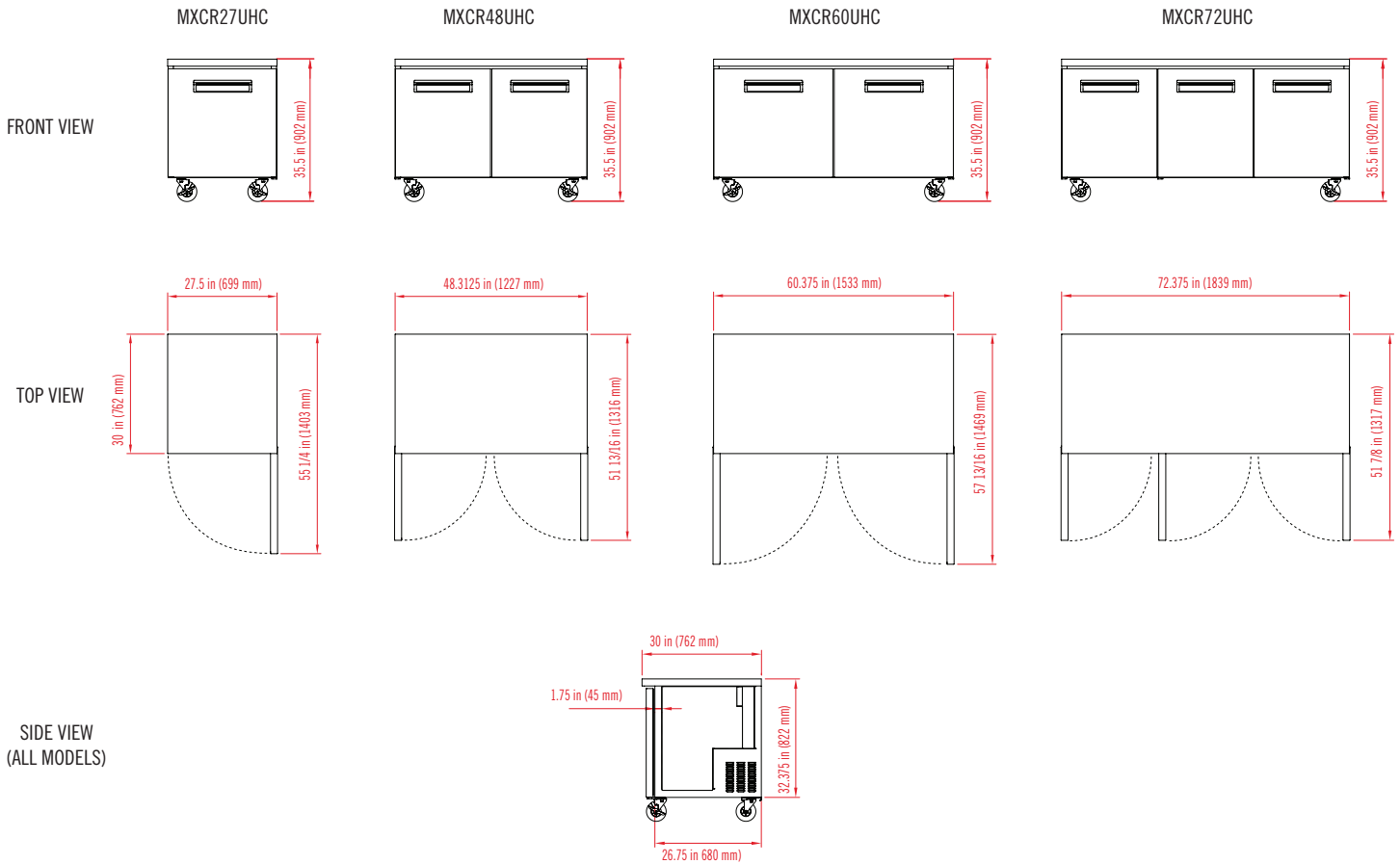
NET STORAGE CAPACITY

MXCR27UHC.....	6.5 Cu Ft (184 L)
MXCR48UHC.....	12 Cu Ft (340 L)
MXCR60UHC.....	15.5 Cu Ft (439 L)
MXCR72UHC.....	18 Cu Ft (510 L)

TEMPERATURE

Holding temperature 33°F to 41°F (1°C to 5°C)

- Efficient forced-air refrigeration system



MODEL	EXTERNAL DIMENSIONS	INTERNAL DIMENSIONS	NET CAPACITY	HOLDING TEMPERATURE RANGE	AMP DRAW	SHIPPING WEIGHT	REFRIGERANT AND CHARGE SIZE	DOORS / SHELVES	ELECTRICAL
MXCR27UHC	27.5" x 30" x 35.5" (699 x 762 x 911 mm)	22.9" x 18.8" x 24.5" (602 x 478 x 622 mm)	6.5 Cu Ft (184 L)	33°F to 41°F (1°C to 5°C)	1.5A	220 lbs (100 kg)	R-600a 2.47 oz (68 g)	1 / 1	115V / 60Hz / 1Ph
MXCR48UHC	48.3125" x 30" x 35.5" (1227 x 762 x 911 mm)	43.5" x 18.8" x 24.5" (1104 x 478 x 622 mm)	12 Cu Ft (340 L)	33°F to 41°F (1°C to 5°C)	3.0A	304 lbs (140 kg)	R-600a 2.65 oz (75 g)	2 / 2	115V / 60Hz / 1Ph
MXCR60UHC	60.375" x 30" x 35.5" (1533 x 762 x 911 mm)	56.2" x 18.8" x 24.5" (1428 x 478 x 622 mm)	15.5 Cu Ft (439 L)	33°F to 41°F (1°C to 5°C)	3.0A	352 lbs (160 kg)	R-600a 2.82 oz (80 g)	2 / 2	115V / 60Hz / 1Ph
MXCR72UHC	72.375" x 30" x 35.5" (1839 x 762 x 911 mm)	66.9" x 18.8" x 24.5" (1700 x 478 x 622 mm)	18 Cu Ft (510 L)	33°F to 41°F (1°C to 5°C)	3.5A	430 lbs (195 kg)	R-290a 4.59 oz (130 g)	3 / 3	115V / 60Hz / 1Ph

INSTALLATION

- Shorter caster options are available to lower the overall height of the unit to satisfy ADA or other low profile requirements

UNDERCOUNTER FREEZERS

MODEL: MXCF27UHC MXCF48UHC MXCF60UHC MXCF72UHC



MXCF27UHC



MXCF48UHC



MXCF60UHC



MXCF72UHC

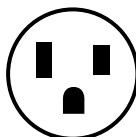
Maxx Cold stainless steel Undercounter Freezers are designed to provide the user with maximum storage, energy savings and cold, accurate temperatures. Our undercounter models allow for easy accessibility, optimum capacity and flexibility for quick and efficient food preparation.

FEATURES AND CONSTRUCTION

- Durable, easy to clean stainless steel exterior
- Painted aluminum interior
- Easy to grip recessed door handles
- Adjustable heavy-duty wire shelves (1 per section/door)
- Equipped with four (4) 3" swivel casters
- Solid state digital control system
- LED temperature display
- Automatic defrost system
- Equipped with integrated condensate evaporator therefore no drain line connection is needed
- Urethane insulated walls and doors
- Accommodates full-size sheet pans

ELECTRIC

115V / 60Hz / 1Ph
 (230V / 50-60Hz / 1Ph is available as an option)
 6' (2m) NEMA 5-15P cord set included



NEMA 5-15P

NET STORAGE CAPACITY

MXCF27UHC	6.5 Cu Ft (184 L)
MXCF48UHC	12 Cu Ft (340 L)
MXCF60UHC	15.5 Cu Ft (439 L)
MXCF72UHC	18 Cu Ft (510 L)

3RD PARTY APPROVALS



Intertek

Certified to ANSI NSF 7



Intertek

Certified to ANSI UL 471



Zero Ozone Depletion Potential



DOE 2018 Compliant

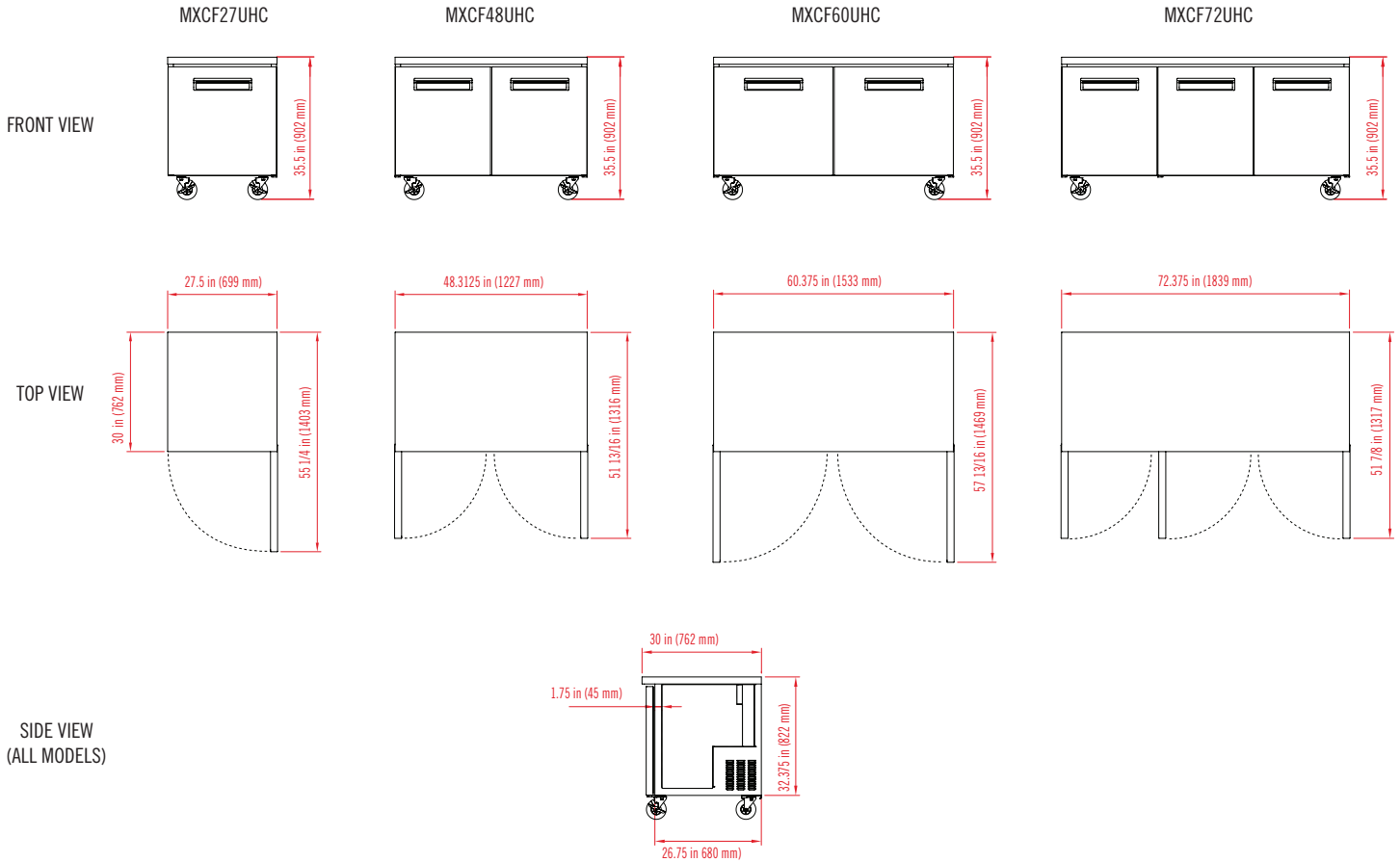
MAXX COLD WARRANTY (USA / CANADA)

Contact Maxx Cold for warranty statement at
 TechnicalServices@TheLegacyCompanies.com or 877.368.2797

TEMPERATURE

Holding temperature -4°F to 10°F (-20°C to -12°C)

- Efficient forced-air refrigeration system



MODEL	EXTERNAL DIMENSIONS	INTERNAL DIMENSIONS	NET CAPACITY	HOLDING TEMPERATURE RANGE	AMP DRAW	SHIPPING WEIGHT	REFRIGERANT AND CHARGE SIZE	DOORS / SHELVES	ELECTRICAL
MXCF27UHC	27.5" x 30" x 35.5" (699 x 762 x 911 mm)	22.9" x 18.8" x 24.5" (602 x 478 x 622 mm)	6.5 Cu Ft (184 L)	-4°F to 10°F (-20°C to -12°C)	1.9A	224 lbs (102 kg)	R-290a 3.35 oz (95 g)	1 / 1	115V / 60Hz / 1Ph
MXCF48UHC	48.3125" x 30" x 35.5" (1227 x 762 x 911 mm)	43.5" x 18.8" x 24.5" (1104 x 478 x 622 mm)	12 Cu Ft (340 L)	-4°F to 10°F (-20°C to -12°C)	4.0A	310 lbs (141 kg)	R-290a 3.53 oz (100 g)	2 / 2	115V / 60Hz / 1Ph
MXCF60UHC	60.375" x 30" x 35.5" (1533 x 762 x 911 mm)	56.2" x 18.8" x 24.5" (1428 x 478 x 622 mm)	15.5 Cu Ft (439 L)	-4°F to 10°F (-20°C to -12°C)	5.0A	362 lbs (166 kg)	R-290a 3.53 oz (100 g)	2 / 2	115V / 60Hz / 1Ph
MXCF72UHC	72.375" x 30" x 35.5" (1839 x 762 x 911 mm)	66.9" x 18.8" x 24.5" (1700 x 478 x 622 mm)	18 Cu Ft (510 L)	-4°F to 10°F (-20°C to -12°C)	6.0A	442 lbs (203 kg)	R-290a 3.88 oz (110 g)	3 / 3	115V / 60Hz / 1Ph

INSTALLATION

- Shorter caster options are available to lower the overall height of the unit to satisfy ADA or other low profile requirements