

# Skyfood

## RQC CHEESE & COCONUT SHREDDER/GRATER



The RQC Cheese and Coconut Shredder/Grater is ideal for pizzerias, deli's, bakeries, bars, restaurants, hotels and similar operations.

- High productivity and less effort
  - Unique direct drive system and 1/2 HP powerful motor
- High quality and precise cuts
  - Feeding chute and discs specially designed to avoid food waste
- Easy to use and quick disc change system
- Robust structure with high durability
  - Stainless steel and cast aluminum
- Safety system
  - Microswitch disconnects power when handle is up and door is open
- Comes standard with 3 discs
  - 1 grater and 2 shredders

# Skyfood

WARRANTY 1 (one) year parts and labor valid in the Continental United States.

## RQC CHEESE & COCONUT SHREDDER/GRATER



### 1 x Grater Disc

Ideal for hard cheeses, such as parmesan, and for chocolate



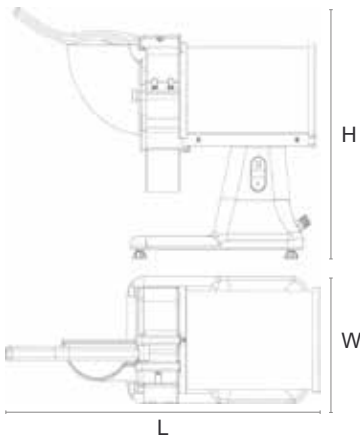
### 1 x 5/32" Shredder Disc

Ideal for vegetables



### 1 x 5/16" Shredder Disc

Ideal for soft cheeses, such as mozzarella, also for chocolate and coconut



Voltage.....	110 V
Power Rating.....	1/2 HP
Height.....	16 1/2"
Width.....	8"
Depth.....	22 1/2"
Net Weight.....	35 lb
Shipping Weight.....	38 lb
Disc Rotation.....	1750 rpm
Disc Size.....	5 1/2"
Feeding Chute (WxH).....	2 1/8" x 4 3/4"
Production.....	187 lb/h (approximate)

SPECIFICATIONS ARE SUBJECT TO CHANGE WITHOUT NOTICE.

**Office:**  
11900 Biscayne Blvd, Suite 616  
North Miami, FL 33181  
Phone: 1-800-503-7534 or 305-868-1603  
Fax: 305-866-2704

**Warehouse:**  
11200 NW 25 Street, Suite 117  
Miami, FL 33172

☎ **1-800-503-7534**

✉ **sales@skyfood.us**

🌐 **www.skyfood.us**

[f /SkyfoodEquipment](#) [i /SkyfoodEquipment](#) [y /SkyfoodEquipment](#)