



YOU CAN TRUST

HIGH SPEED BLENDERS

BM2



## STANDARD FEATURES

Maximize your time and diversify your recipes with this powerful blender. Maxi Blender is an essential tool in any commercial kitchens, bars, ice cream parlors, smoothie shops, and others.

From preparing milkshakes to pureeing tough fruits and vegetables, our Maxi Blender can handle the pressure of the most demanding commercial kitchens.

- Exclusive powerful 3 peak HP motor that can reach a speed up to 38000 rpm
- Variable speed dial and pulse switch offer a range of product textures
- Can be used for wet and dry, cold and hot applications
- 68 oz. capacity (2 liters)
- BPA Free - contains no chemical Bisphenol-A
- Tritan plastic container is impact-resistant
- Tapered design container quickly creates a vortex and pulls ingredients into the blades for maximum blending
- Comes standard with lid and tamper
- Automatic overload protection mechanism
- Conforms to the following standards:  
UL electrical and sanitation  
(under UL, CSA and NSF standards)



**BM2**  
Maxi Blender

ILLUSTRATIVE PHOTO, ACTUAL PRODUCTS AND ACCESSORIES ARE SUBJECT TO CHANGE WITHOUT NOTICE.



**Skyfood Equipment LLC**  
175 SW 7th Street, Ste 2416  
Miami, FL 33130

**Toll Free:**  
1-800-503-7534  
sales@skyfood.us

[www.skyfood.us](http://www.skyfood.us)



Follow us to keep up to date with the later news and offers

/SkyfoodEquipment

/SkyfoodEquipment

/SkyfoodEquipment



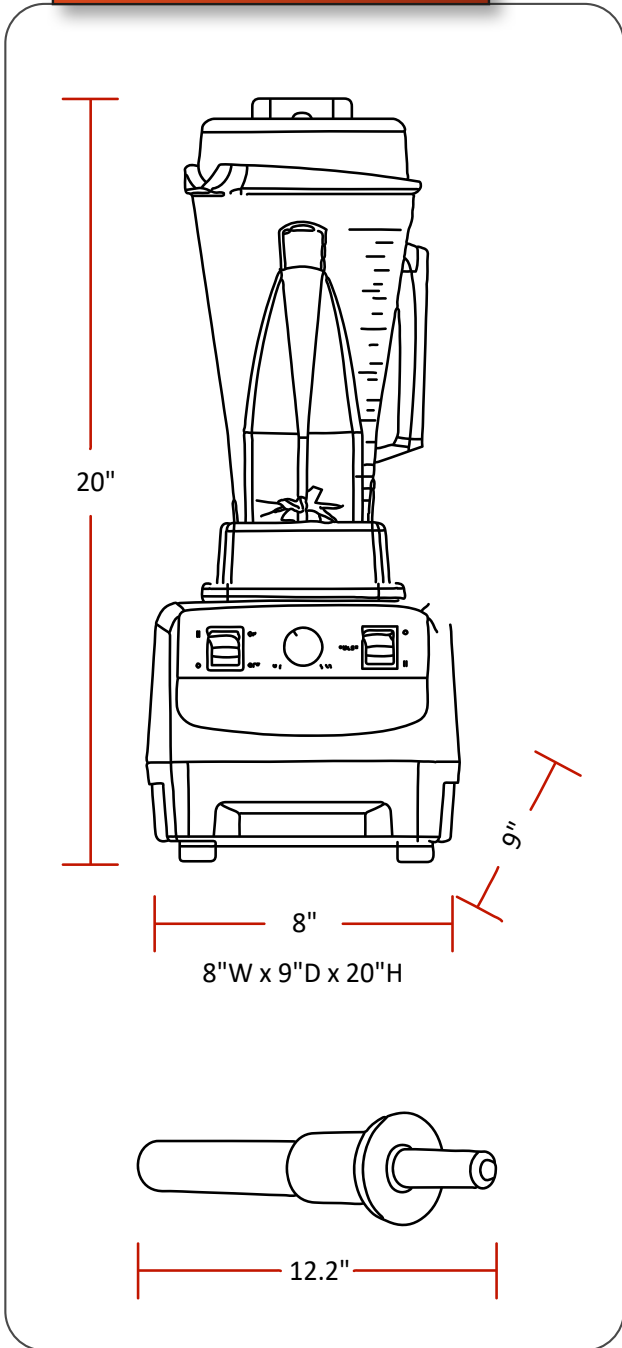
YOU CAN TRUST

# HIGH SPEED BLENDERS

## BM2



### DIMENSIONS

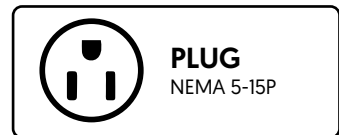
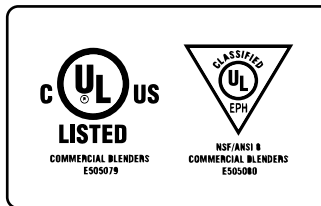


### TRITAN CUP™

Innovative material that combines the best characteristics of glass and plastic. Ultra-resistant, free of Bisphenol A, does not release taste or smell and can be used with hot foods or cold drinks.



**CCTB2**  
(Sold separately)



**WARRANTY 24 MONTHS PARTS AND LABOR VALID IN THE CONTINENTAL UNITED STATES.**

Item	Electrical	Power Rating	Dimensions (W x D x H)	Shipping Dimensions (W x D x H)	Weight (Net x Ship)	Capacity	RPM	PLUG
BM2	115V/50-60Hz	3 peak HP/1050 W	8" x 9" x 20"	13.6" x 19.5" x 23"	12 lb x 14.5 lb	68 oz. (2 liters)	38000	NEMA 5-15P



**Skyfood Equipment LLC**  
175 SW 7th Street, Ste 2416  
Miami, FL 33130

**Toll Free:**  
1-800-503-7534  
sales@skyfood.us

[www.skyfood.us](http://www.skyfood.us)



Follow us to keep up to date with the later news and offers

[/SkyfoodEquipment](#) [/SkyfoodEquipment](#) [/SkyfoodEquipment](#)

ILLUSTRATIVE PHOTO, ACTUAL PRODUCTS AND ACCESSORIES ARE SUBJECT TO CHANGE WITHOUT NOTICE.