

Skyfood

312ECF HEAVY DUTY SLICER



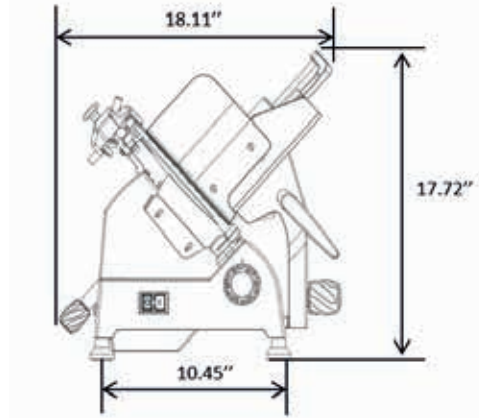
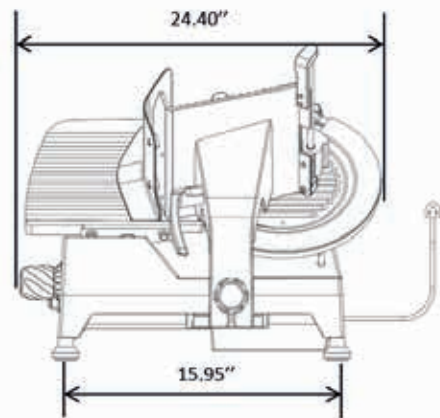
This versatile Slicer offers a high horsepower motor and dependable belt drive. Resistant and durable hard chromed steel knife made in Italy cuts effortlessly any deli style meats and cheeses*. Food carriage slides smoothly for consistent cuts. Carriage, gauge plate and knife cover manufactured in anodized aluminum. Easily removable sharpener, food carriage and knife and clean lines make it easy to sanitize and clean up the entire unit. Gravity feed 45° carriage makes product feed easier. Top mounted sharpener always ready to use. This unit is suitable for sub shops, supermarkets, restaurants, hotels and similar applications.

Skyfood

312ECF HEAVY DUTY SLICER



Voltage.....	110 V
Power Rating.....	1/2hp
Height.....	21"
Width.....	25"
Depth.....	21"
Net Weight.....	37lb
Shipping Weight.....	45lb
Cutting Height.....	6"
Cutting Width.....	9"
Blade Diameter.....	12"
Maximum Cut Thickness	5/8"
Cheese Slicing.....	*2 h (on an intermittent way)
Cord and Plug.....	5-foot, 3-wire, NEMA 5-15P



1-800-503-7534

www.skyfood.us

Office:
11900 Biscayne Blvd, Suite 616
North Miami, FL 33181
Phone: 1-800-503-7534 or 305-868-1603
Fax: 305-866-2704

Warehouse:
11200 NW 25 Street, Suite 123
Miami, FL 33172

[f /SkyfoodEquipment](https://www.facebook.com/SkyfoodEquipment) [i /SkyfoodEquipment](https://www.instagram.com/SkyfoodEquipment) [y /SkyfoodEquipment](https://www.youtube.com/SkyfoodEquipment)

Contact your local Skyfood representative for additional information.
Visit our web site at www.skyfood.us for location and contact information.

WARRANTY 1 (one) year parts and labor valid in the Continental United States.

SPECIFICATIONS ARE SUBJECT TO CHANGE WITHOUT NOTICE.