

VERTICAL REACH IN COOLER

MODEL: SSC 20 1DS

PRO-KOLD

Product features

- Intelligent temperature control, reduces and optimizes energy consumption.
- (3) adjustable shelves to fit your display needs.
- LED lights for enhanced interior illumination
- Self-closing, solid swing door to reduce heat transfer and optimize energy savings
- Stainless steel interior floor for maximum hygiene and easy cleaning
- Evaporative condensing pan included, no plumbing required
- Automatic defrost cycle
- Forced air cascade system to promote even cooling throughout product displayed
- Heavy duty casters included
- Easy access to the condensing unit through top, front cover
- Stainless steel interior and exterior



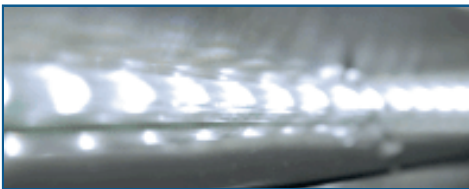
Available Color

STAINLESS STEEL

Accessories

- Additional pre-painted wire shelves

Product highlights



LED Lighting



Electronic digital controller



Easy access to compressor

Certifications



Warranty

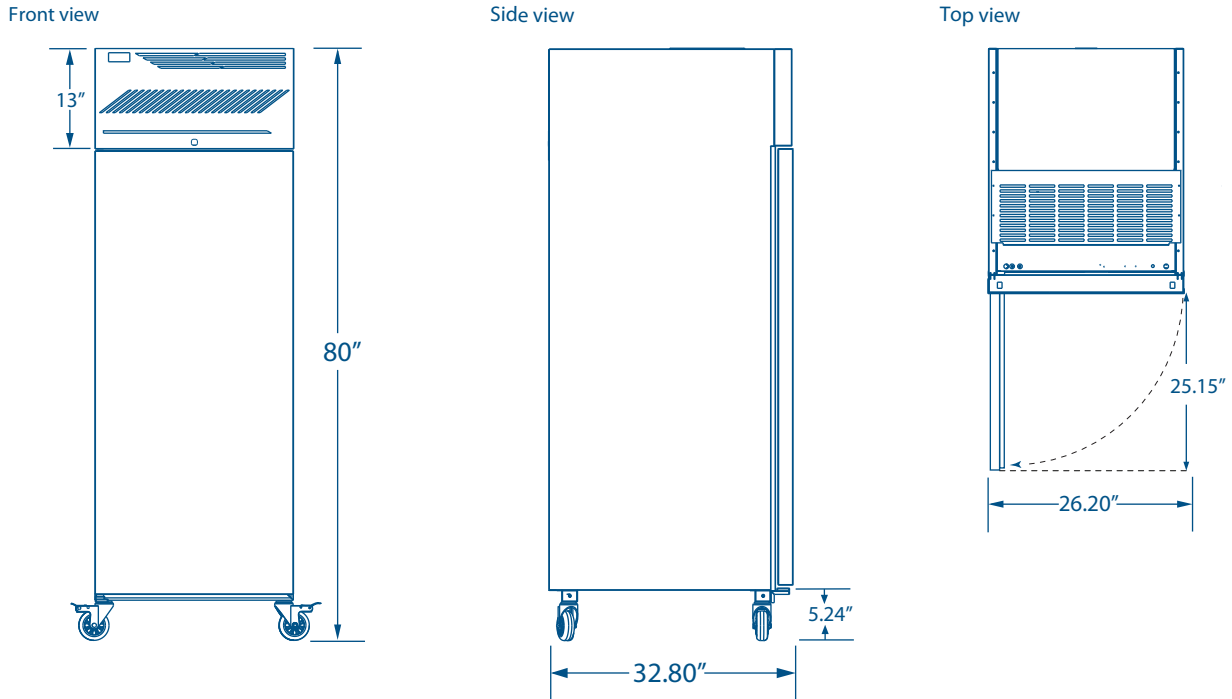
- 2 Year parts and labor
- Additional 3 year compressor coverage

Residential: Assumes on liability for parts or labor coverage for component failure, factory defect or any other damages for units installed in non-commercial foodservice or residential applications.

PRODUCT SPECIFICATIONS
MODEL: SSC 20 1DS



Plan view



Technical data

Dimensions

| | |
|----------------------|----------------------------|
| External dimensions | W: 26.20" D: 32.80" H: 80" |
| Internal dimensions | W: 22.50" D: 28" H: 56.50" |
| Net volume | 20.70 ft3 (587 Lts) |
| Net weight | 253.50 Lbs. |
| Gross weight | 318.30 Lbs. |
| Packaging dimensions | W: 28" D: 35" H: 81" |
| Shelf dimensions | W: 23" D: 21.4" |
| | |

Electrical data

| | |
|------------------|--------------|
| Power supply | 110v/ 60 Hz |
| Amps | 3.9 A |
| Length of cord | 98" (2500mm) |
| Lighting | LED |
| Plug type | NEMA-5-15P |
| Controller | Digital |
| Compressor power | 3/4 HP |
| | |

Performance data

| | |
|-------------------------|--------------------|
| Refrigerant charge | 8.46 oz |
| Energy consumption | 4.2 kwh/h |
| Condenser forced | Ventilation Forced |
| Evaporator | Ventilation Forced |
| Evaporation temperature | 19.94°F |
| Expansion method | Capilar |
| Thawing method | Electrical |

Cooling

| | |
|---------------------------|-----------------------------|
| Temperature range | 34°F to 44.6°F (Exhibition) |
| Refrigerant | R134a |
| Defrosting | Electric |
| Temperature controller | Digital |
| Optimum temperature range | 34°F to 44.6°F |
| | |
| | |

Construction

| | |
|-------------------------|-------------------|
| Exterior material | Stainless steel |
| Interior material | Stainless steel |
| Number of shelf storage | 3 |
| Shelf material | Pre-painted steel |
| Door type | Solid swing |
| Door quantity | 1 |
| | |

Logistic data

| | |
|----------------------------|-------------------------|
| Trailer Loads | 54 fit on a 53' trailer |
| Unit weight with packaging | 318.30 lbs (144.37 kg) |
| Dimensions with packaging | W: 28" D: 35" H: 81" |
| | |
| | |
| | |

* W= Width, D= Depth, H= Height