

ITEM #: _____ QTY: _____
 MODEL #: _____
 PROJECT NAME: _____

051018

3601 S. Banker St. Effingham, IL 62401 • P.O. BOX 609 • Ph: (888) 431-2667 • Fax: (800) 433-2667

"WAL-CUCE" CUCINA ELEGANTE - WALNUT TOP

FEATURES:

- AMERICAN BLACK WALNUT BLENDED EDGE GRAIN TOP WITH VARNIQUE FINISH
- 2 FOOD SERVICE GRADE STAINLESS STEEL SHELVES
- MIDDLE SHELF REVERSIBLE
- STAINLESS STEEL FRONT / DOVETAILED DRAWER
- TOWEL BAR
- OPTIONAL NO DRAWER: ADD (-ND)
- OPTIONAL GALLEY RAILS (GRK10-8), SET OF 8 (HARDWARE INCLUDED)
- STAINLESS STEEL LEGS
- COMMERCIAL GRADE 3" LOCKING CASTERS



WAL-CUCE30



WAL-CUCE30-ND

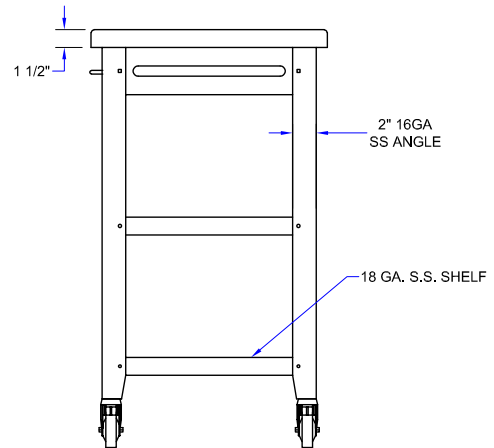
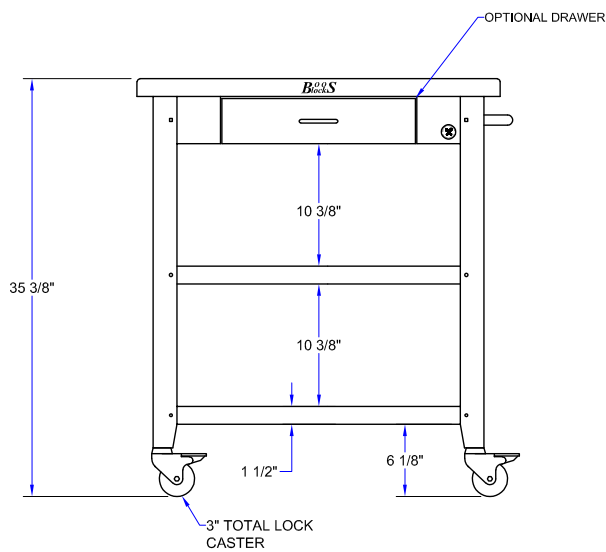
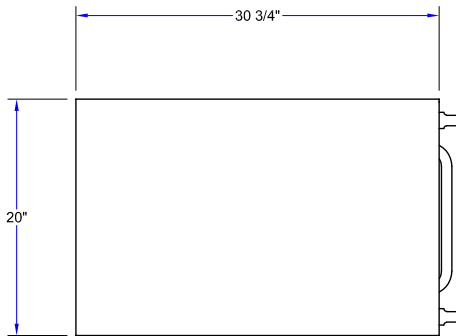


GRK10-8

CUCINA ELEGANTE - WALNUT TOP

MODEL #	QTY
WAL-CUCE30	

DETAILED SPECIFICATIONS



CUCINA ELEGANTE - WALNUT TOP

MODEL #	SIZE	HEIGHT	WEIGHT (LBS)
WAL-CUCE30	30" X 20" X 1-1/2"	35"	78

SOME UNITS SHIP UNASSEMBLED FOR REDUCED SHIPPING COST. ALL DIMENSIONS ARE TYPICAL. TOLERANCE +/- .500"
 John Boos & Co. is constantly engaged in a program of improving products and therefore reserves the right to change specifications without prior notice.



Boos
lock

AQ AutoQuotes

3601 S. Banker St. • Effingham, IL 62401 • PO BOX 609 • quotes@johnboos.com

www.johnboos.com

032018

205