

ITEM #: _____ QTY: _____
 MODEL #: _____
 PROJECT NAME: _____

042018

3601 S. Banker St. Effingham, IL 62401 • P.O. BOX 609 • Ph: (888) 431-2667 • Fax: (800) 433-2667

"RN-LR" LE RUSTICA

FEATURES:

- CHERRY END GRAIN TOP, STANDARD BOOS BLOCK CREAM FINISH WITH BEESWAX
- BLACK PAINTED BASE
- AVAILABLE WITH A CHERRY SLATTED LOWER SHELF (USE SUFFIX -SSL)
- 48" LENGTH STANDARD WITH 2 DOVETAILED DRAWERS
- 30" LENGTH STANDARD WITH 1 DOVETAILED DRAWER
- SHIPPED KNOCKED DOWN, 2 CARTONS



RN-LR05

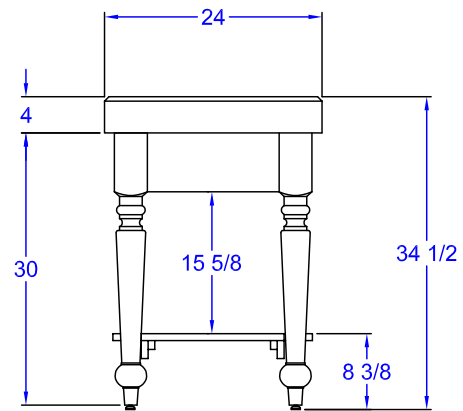
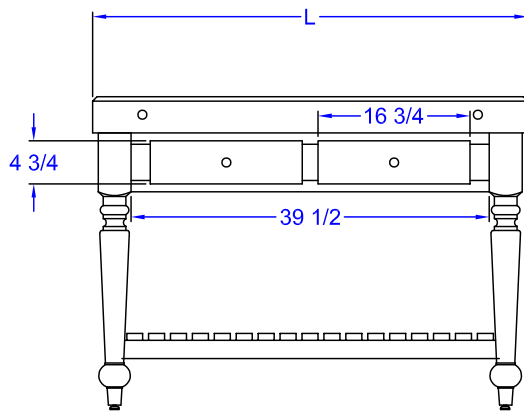
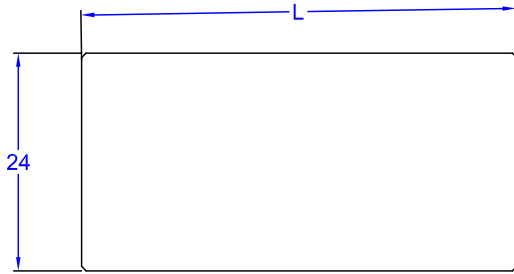


RN-LR05-SSL

LE RUSTICA

MODEL #	QTY
RN-LR04	
RN-LR05	
RN-LR04-SSL	
RN-LR05-SSL	

DETAILED SPECIFICATIONS



LE RUSTICA

MODEL #	SIZE	HEIGHT	WEIGHT (LBS)
RN-LR04	30" X 24" X 4"	34-1/2"	132
RN-LR05	48" X 24" X 4"	34-1/2"	212
RN-LR04-SSL	30" X 24" X 4"	34-1/2"	190
RN-LR05-SSL	48" X 24" X 4"	34-1/2"	237

SOME UNITS SHIP UNASSEMBLED FOR REDUCED SHIPPING COST. ALL DIMENSIONS ARE TYPICAL. TOLERANCE +/- .500"
 John Boos & Co. is constantly engaged in a program of improving products and therefore reserves the right to change specifications without prior notice.



Boos
lock

AQ AutoQuotes

3601 S. Banker St. • Effingham, IL 62401 • PO BOX 609 • quotes@johnboos.com

www.johnboos.com

042018

191