

ITEM #: \_\_\_\_\_ QTY: \_\_\_\_\_  
 MODEL #: \_\_\_\_\_  
 PROJECT NAME: \_\_\_\_\_

021218

3601 S. Banker St. Effingham, IL 62401 • P.O. BOX 609 • Ph: (888) 431-2667 • Fax: (800) 433-2667

**"RN-BF" BLOC DE FOYER**

**FEATURES:**

- CHERRY END GRAIN TOP, STANDARD BOOS BLOCK CREAM FINISH WITH BEESWAX
- BLACK PAINTED BASE WITH APRON DRAWER
- SLATTED LOWER SHELF

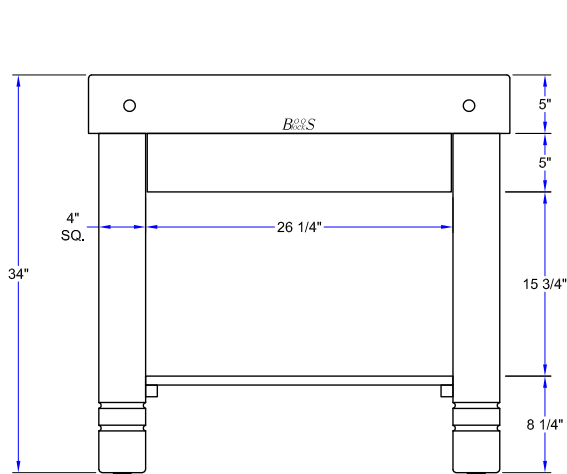
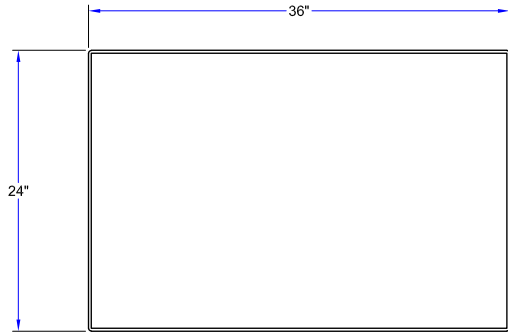


RN-BF

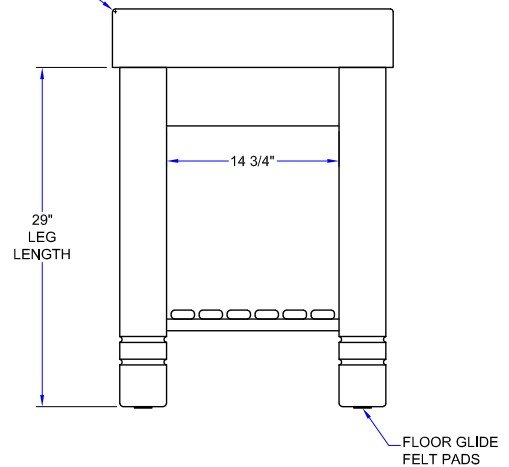
*BLOC DE FOYER*

MODEL #	QTY
RN-BF	

# DETAILED SPECIFICATIONS



R1/4" EDGE DETAIL  
TOP AND CORNERS  
BOTTOM EDGE EASED



## BLOC DE FOYER

MODEL #	SIZE	HEIGHT	WEIGHT (LBS)
RN-BF	36" X 24" X 5"	34"	233

SOME UNITS SHIP UNASSEMBLED FOR REDUCED SHIPPING COST. ALL DIMENSIONS ARE TYPICAL. TOLERANCE +/- .500"  
John Boos & Co. is constantly engaged in a program of improving products and therefore reserves the right to change specifications without prior notice.



Boos  
lock

AQ AutoQuotes

3601 S. Banker St. • Effingham, IL 62401 • PO BOX 609 • quotes@johnboos.com

www.johnboos.com

021218

187