

ITEM #: \_\_\_\_\_ QTY: \_\_\_\_\_  
 MODEL #: \_\_\_\_\_  
 PROJECT NAME: \_\_\_\_\_

060118

3601 S. Banker St. Effingham, IL 62401 • P.O. BOX 609 • Ph: (888) 431-2667 • Fax: (800) 433-2667

**"RA-GRV" PROFESSIONAL COLLECTION - EDGE GRAIN**  
**2-1/4" THICK - MAPLE - REVERSIBLE**

**FEATURES:**

- RECTANGULAR CUTTING BOARD 2-1/4" THICK
- EDGE GRAIN CONSTRUCTION
- HAND GRIPS ON EACH END
- INCLUDES JUICE GROOVE
- AVAILABLE IN NORTHERN HARD ROCK MAPLE
- BOOS BLOCK CREAM FINISH WITH BEESWAX
- RA02-GRV-KF INCLUDES 7" SANTOKU KNIFE & 7" FORGED STAINLESS STEEL CARVING FORK



RA02-GRV



RA02-GRV-KF

**PROFESSIONAL COLLECTION - EDGE GRAIN**

MODEL #	QTY
RA02-GRV	
RA02-GRV-KF	

SOME UNITS SHIP UNASSEMBLED FOR REDUCED SHIPPING COST. ALL DIMENSIONS ARE TYPICAL. TOLERANCE +/- .500"

John Boos & Co. is constantly engaged in a program of improving products and therefore reserves the right to change specifications without prior notice.



**John  
BOOS**  
Since 1887

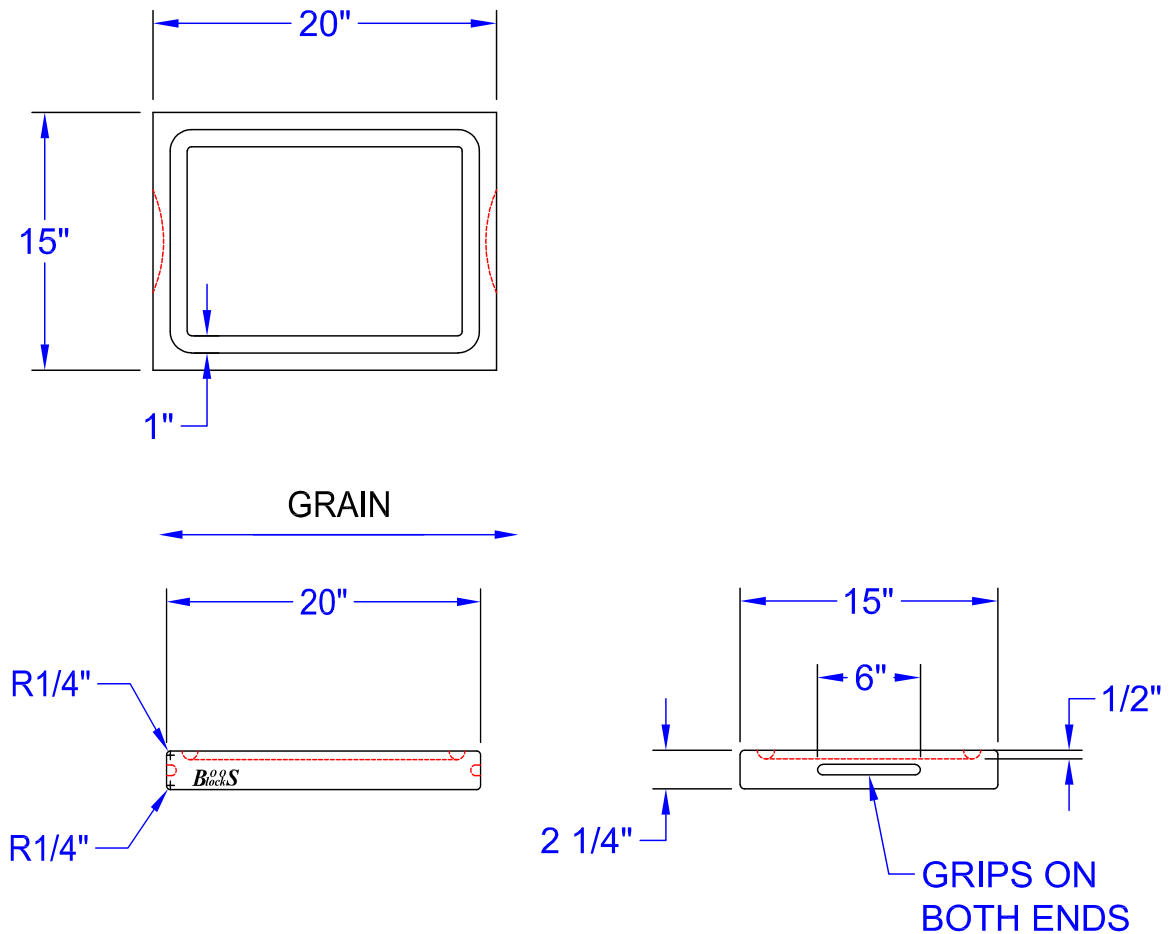
ITEM #: \_\_\_\_\_ QTY: \_\_\_\_\_

MODEL #: \_\_\_\_\_

PROJECT NAME: \_\_\_\_\_

3601 S. Banker St. Effingham, IL 62401 • P.O. BOX 609 • Ph: (888) 431-2667 • Fax: (800) 433-2667

this page left blank intentionally



**PROFESSIONAL COLLECTION - EDGE GRAIN**

MODEL #	DESCRIPTION	BOARD SIZE	WEIGHT (LBS)
RA02-GRV	W/ GROOVE & HAND GRIPS	20" X 15" X 2-1/4"	17
RA02-GRV-KF	W/ GROOVE, HAND GRIPS, 7" SANTOKU KNIFE, & 7" FORGED STAINLESS STEEL CARVING FORK	20" X 15" X 2-1/4"	23

SOME UNITS SHIP UNASSEMBLED FOR REDUCED SHIPPING COST. ALL DIMENSIONS ARE TYPICAL. TOLERANCE +/- .500"

John Boos & Co. is constantly engaged in a program of improving products and therefore reserves the right to change specifications without prior notice.



3601 S. Banker St. • Effingham, IL 62401 • PO BOX 609 • quotes@johnboos.com

Boos  
lockS

AQ AutoQuotes

www.johnboos.com