



ITEM #: _____ QTY: _____
 MODEL #: _____
 PROJECT NAME: _____

053118

3601 S. Banker St. Effingham, IL 62401 • P.O. BOX 609 • Ph: (888) 431-2667 • Fax: (800) 433-2667

"QCL" DELUXE CULI CART
1-1/2" THICK TOP

FEATURES:

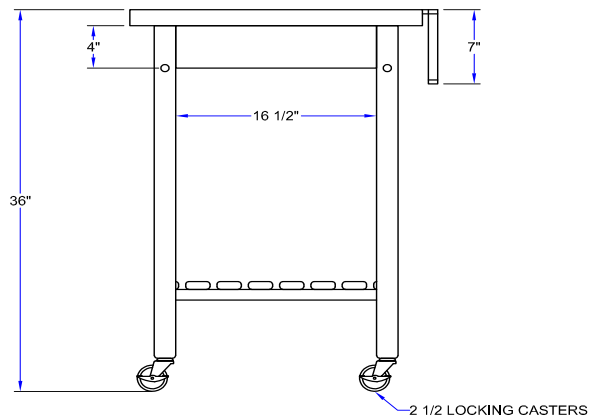
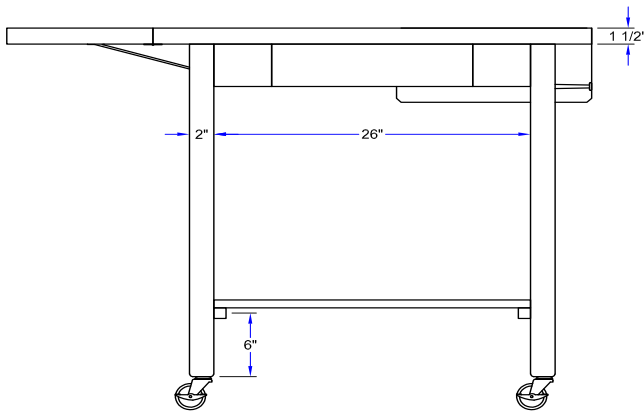
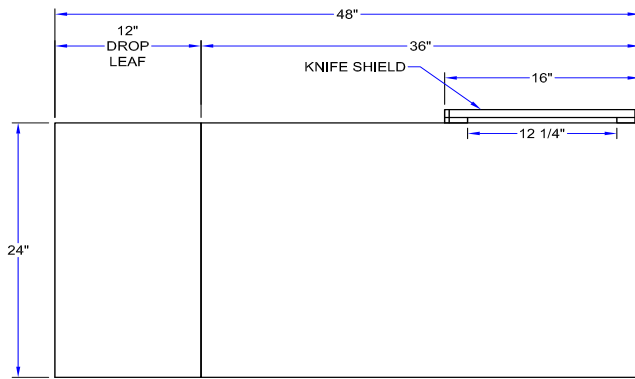
- NORTHERN HARD ROCK MAPLE 1.5" THICK EDGE GRAIN TOP
- STANDARD WITH BOOS BLOCK CREAM FINISH WITH BEESWAX
- 12" DROP LEAF
- 2 TOWEL PEGS
- SLATTED LOWER SHELF
- 2-1/2" LOCKING CASTERS
- KNIFE HOLDER WITH BLADE SHIELD
- 15" UTENSIL DRAWER
- ELECTRICAL OUTLET STRIP



DELUXE CULI CART

MODEL #	QTY
QCL	

DETAILED SPECIFICATIONS



DELUXE CULI CART

MODEL #	SIZE	HEIGHT	WEIGHT (LBS)
QCL	36" X 24" X 1-1/2"	36"	100

SOME UNITS SHIP UNASSEMBLED FOR REDUCED SHIPPING COST. ALL DIMENSIONS ARE TYPICAL. TOLERANCE +/- .500"
 John Boos & Co. is constantly engaged in a program of improving products and therefore reserves the right to change specifications without prior notice.



3601 S. Banker St. • Effingham, IL 62401 • PO BOX 609 • quotes@johnboos.com

www.johnboos.com