



**John  
BOOS**  
Since 1887

ITEM #: \_\_\_\_\_ QTY: \_\_\_\_\_

MODEL #: \_\_\_\_\_

PROJECT NAME: \_\_\_\_\_

052118

3601 S. Banker St. Effingham, IL 62401 • P.O. BOX 609 • Ph: (888) 431-2667 • Fax: (800) 433-2667

## **"GB" GOURMET BLOCK**

### **4" THICK BLOCK**

#### **FEATURES:**

- NORTHERN HARD ROCK MAPLE 4" THICK END GRAIN TOP
- STANDARD WITH BOOS BLOCK CREAM FINISH WITH BEESWAX
- SHIPPED KNOCKED DOWN, 2 CARTONS
- UPSABLE
- OPTIONS: 4 - 2-1/2" COMMERCIAL GRADE LOCKING CASTERS: CAS03
- 1 SLATTED SHELF



GB

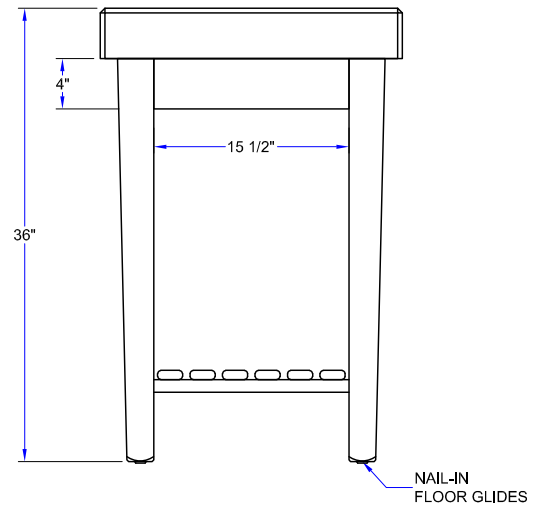
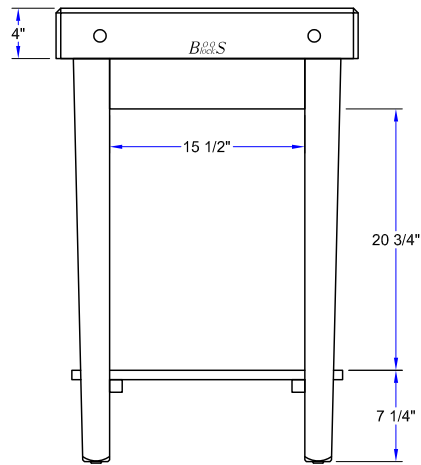
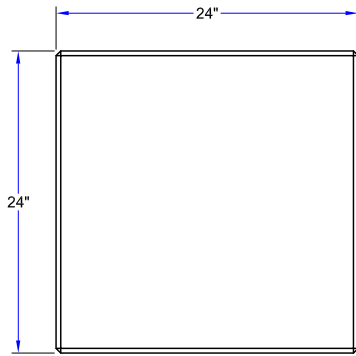


GB-C

#### **GOURMET BLOCK**

MODEL #	QTY
GB	
GB-C	

## DETAILED SPECIFICATIONS



### GOURMET BLOCK

MODEL #	SIZE	DESCRIPTION	HEIGHT	WEIGHT (LBS)
GB	24" X 24" X 4"	NO CASTERS	36"	95
GB-C	24" X 24" X 4"	W/ CASTERS	38.5"	100

SOME UNITS SHIP UNASSEMBLED FOR REDUCED SHIPPING COST. ALL DIMENSIONS ARE TYPICAL. TOLERANCE +/- .500"  
 John Boos & Co. is constantly engaged in a program of improving products and therefore reserves the right to change specifications without prior notice.



3601 S. Banker St. • Effingham, IL 62401 • PO BOX 609 • quotes@johnboos.com

052118

Boos  
lock

AQ AutoQuotes

www.johnboos.com

23