

ITEM #: _____ QTY: _____
 MODEL #: _____
 PROJECT NAME: _____

051018

3601 S. Banker St. Effingham, IL 62401 • P.O. BOX 609 • Ph: (888) 431-2667 • Fax: (800) 433-2667

"CUCE" CUCINA ELEGANTE - MAPLE TOP

FEATURES:

- NORTHERN HARD ROCK MAPLE EDGE GRAIN TOP WITH VARNIQUE FINISH
- 2 FOOD SERVICE GRADE STAINLESS STEEL SHELVES
- MIDDLE SHELF REVERSIBLE
- STAINLESS STEEL FRONT / DOVETAILED DRAWER
- TOWEL BAR (ON RIGHT SIDE FOR SINGLE LEAF AND NOT LEAF MODELS)
- STAINLESS STEEL LEGS
- CUCE50 INCLUDES 2 - 10" DROP LEAVES
- CUCE40 INCLUDES 1 - 10" DROP LEAF
- CUCE30 INCLUDES NO LEAF
- OPTIONAL NO DRAWER: ADD (-ND)
- OPTIONAL GALLEY RAILS (GRK10-8), SET OF 8 (HARDWARE INCLUDED)
- COMMERCIAL GRADE 3" LOCKING CASTERS
- SHIPPED KNOCKED DOWN, 1 CARTON, UPSABLE



CUCE30-RAILS



CUCE50

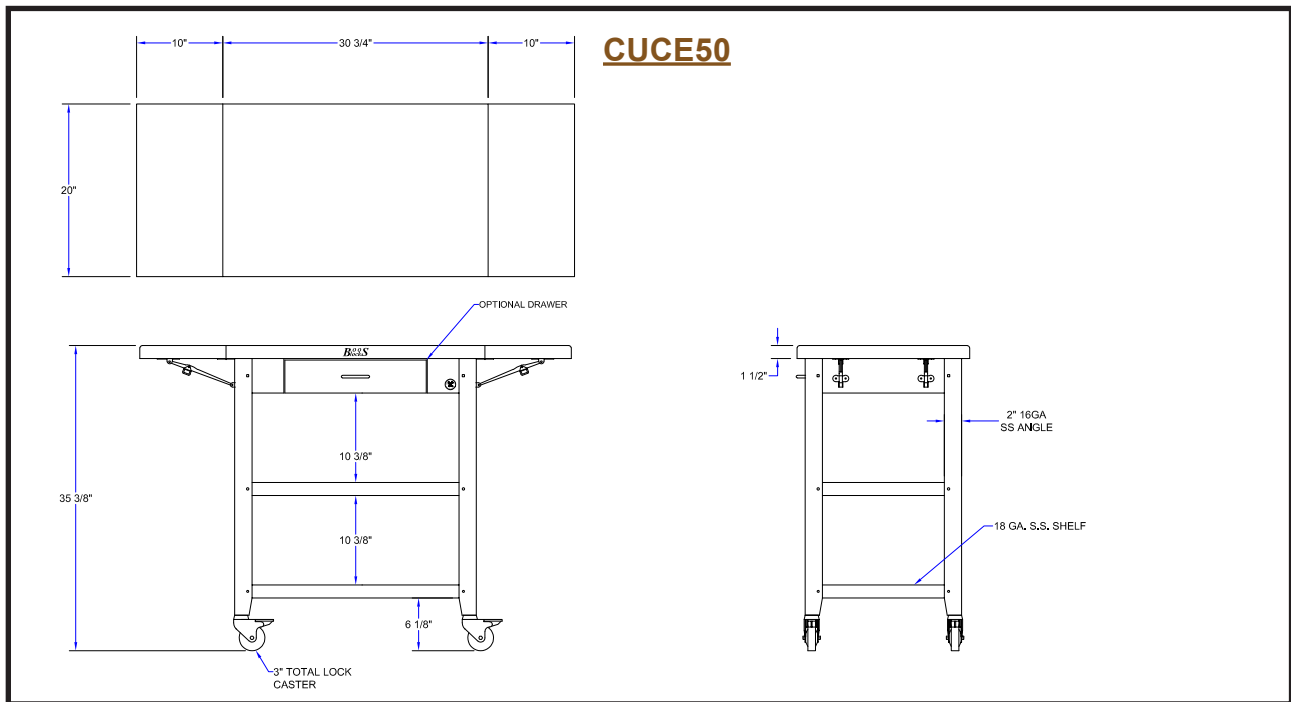
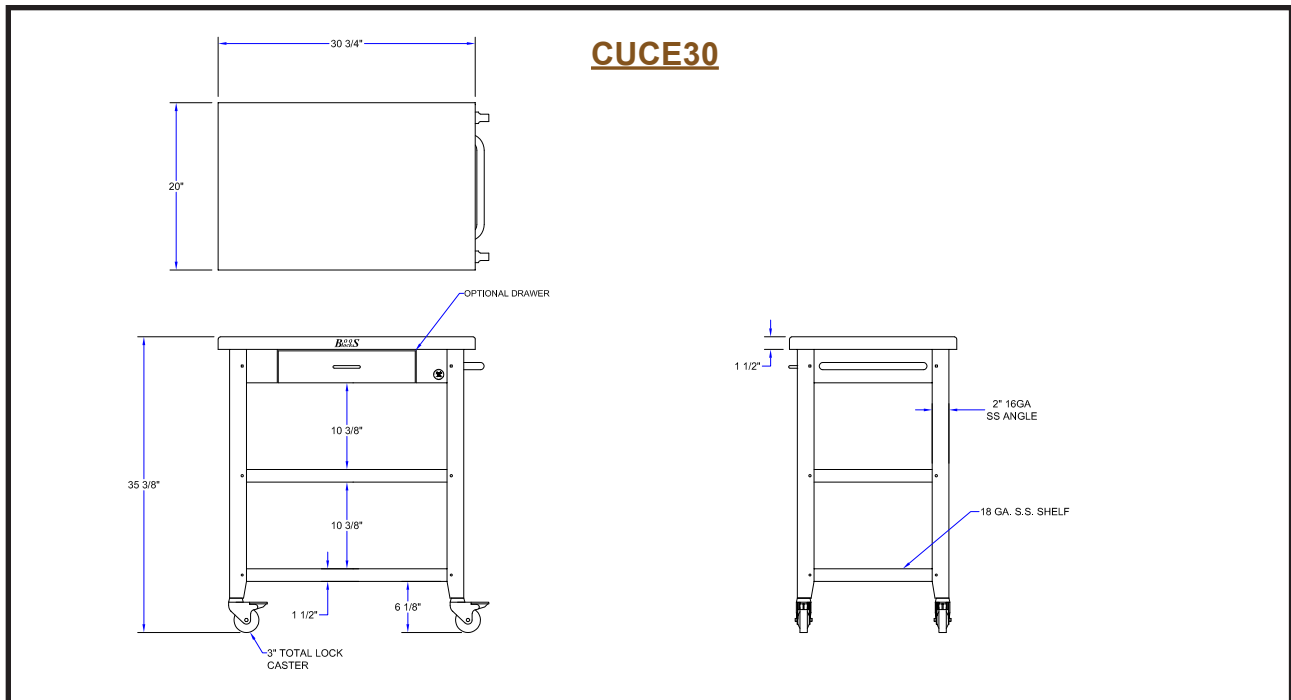


GRK10-8

CUCINA ELEGANTE - MAPLE TOP

MODEL #	QTY
CUCE30	
CUCE40	
CUCE50	

DETAILED SPECIFICATIONS



CUCINA ELEGANTE - MAPLE TOP

MODEL #	SIZE (FULL EXTENSION)	DESCRIPTION	HEIGHT	WEIGHT (LBS)
CUCE30	30" X 20" X 1-3/4"	NO LEAVES	35"	83
CUCE40	40" X 20" X 1-3/4"	W/ 1 - 10" DROP LEAF	35"	91
CUCE50	50" X 20" X 1-3/4"	W/ 2 - 10" DROPLEAVES	35"	100

SOME UNITS SHIP UNASSEMBLED FOR REDUCED SHIPPING COST. ALL DIMENSIONS ARE TYPICAL. TOLERANCE +/- .500"

John Boos & Co. is constantly engaged in a program of improving products and therefore reserves the right to change specifications without prior notice.



3601 S. Banker St. • Effingham, IL 62401 • PO BOX 609 • quotes@johnboos.com

032018

Boos
lock

AQ AutoQuotes

www.johnboos.com

203