

ITEM #: \_\_\_\_\_ QTY: \_\_\_\_\_  
 MODEL #: \_\_\_\_\_  
 PROJECT NAME: \_\_\_\_\_

051018

3601 S. Banker St. Effingham, IL 62401 • P.O. BOX 609 • Ph: (888) 431-2667 • Fax: (800) 433-2667

## "CU-HAR" HARVEST TABLE

### FEATURES:

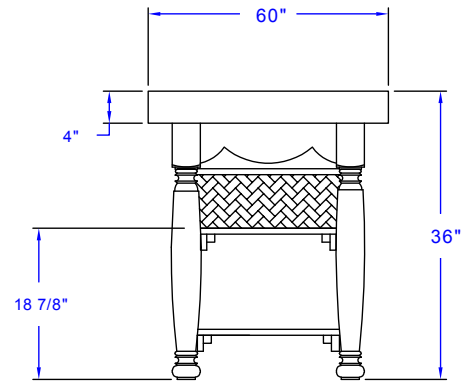
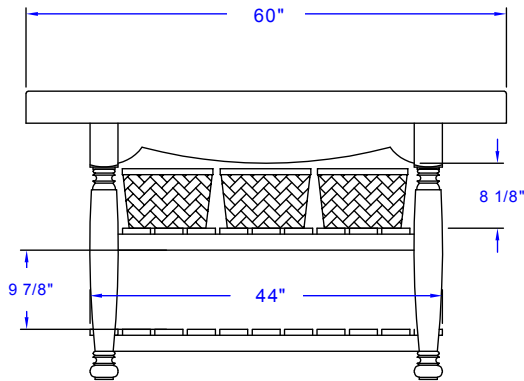
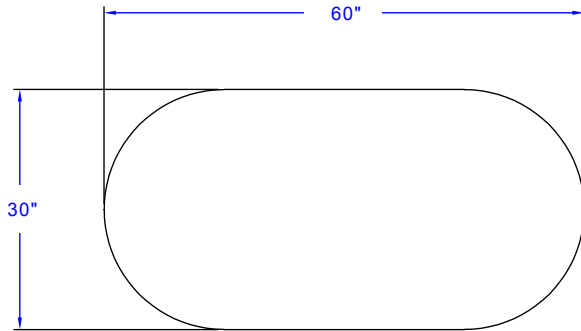
- NORTHERN HARD ROCK MAPLE END GRAIN TOP, STANDARD BOOS BLOCK CREAM FINISH WITH BEESWAX
- 3 WICKER BASKETS
- 2 PAINTED SLATTED SHELVES
- SEE BASE COLOR SPEC SHEET FOR COLOR OPTIONS



### HARVEST TABLE

MODEL #	QTY
CU-HAR60	
WAL-CU-HAR60	

# DETAILED SPECIFICATIONS



## HARVEST TABLE

MODEL #	SIZE	HEIGHT	WEIGHT (LBS)
CU-HAR60	60" X 30" X 4"	36"	280
WAL-CU-HAR60	60" X 30" X 4"	36"	260

SOME UNITS SHIP UNASSEMBLED FOR REDUCED SHIPPING COST. ALL DIMENSIONS ARE TYPICAL. TOLERANCE +/- .500"  
 John Boos & Co. is constantly engaged in a program of improving products and therefore reserves the right to change specifications without prior notice.



Boos  
lock

AQ AutoQuotes

3601 S. Banker St. • Effingham, IL 62401 • PO BOX 609 • quotes@johnboos.com

www.johnboos.com

051018

173