



**John
BOOS**
Since 1887

ITEM #: _____ QTY: _____

MODEL #: _____

PROJECT NAME: _____

051018

3601 S. Banker St. Effingham, IL 62401 • P.O. BOX 609 • Ph: (888) 431-2667 • Fax: (800) 433-2667

"CUCDWC" CUCINA D'AMICO WINE CART

FEATURES:

- AVAILABLE WITH NORTHERN HARD ROCK MAPLE, AMERICAN BLACK WALNUT OR AMERICAN CHERRY END GRAIN TOP STANDARD BOOS BLOCK CREAM FINISH WITH BEESWAX
- FOOD SERVICE GRADE STAINLESS STEEL BASE AND DOUBLE WINE RACK SHELVEING SYSTEM
- ELECTRICAL OUTLET STRIP RECESSED UNDERNEATH BLOCK
- STAINLESS STEEL TOWEL BAR
- COMMERCIAL GRADE 3" LOCKING CASTERS
- SHIPPED KNOCKED DOWN, 1 CARTON



WAL-CUCD15-WC



CHY-CUCD15-WC



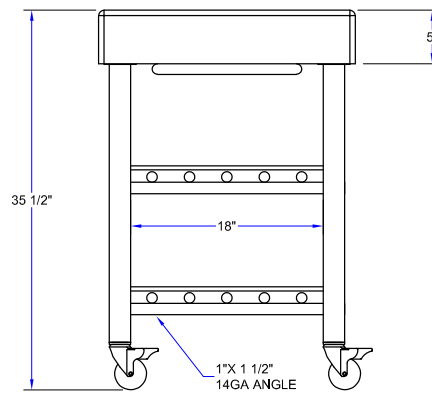
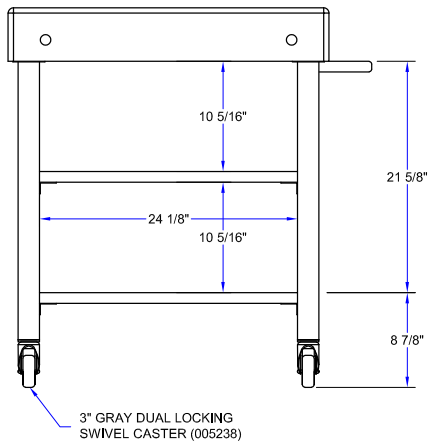
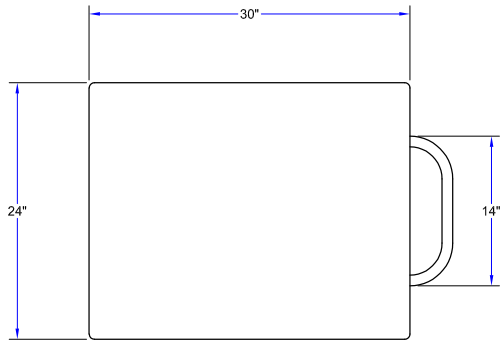
CUCD15-WC



CUCINA D'AMICO WINE CART

MODEL #	QTY
CUCD15WC	
CHY-CUCD15WC	
WAL-CUCD15WC	

DETAILED SPECIFICATIONS



CUCINA D'AMICO WINE CART

MODEL #	SIZE	TOP	HEIGHT	WEIGHT (LBS)
CUCD15WC	30" X 24" X 5"	MAPLE	35-1/2"	150
CHY-CUCD15WC	30" X 24" X 5"	CHERRY	35-1/2"	140
WAL-CUCD15WC	30" X 24" X 5"	WALNUT	35-1/2"	130

SOME UNITS SHIP UNASSEMBLED FOR REDUCED SHIPPING COST. ALL DIMENSIONS ARE TYPICAL. TOLERANCE +/- .500"
 John Boos & Co. is constantly engaged in a program of improving products and therefore reserves the right to change specifications without prior notice.



3601 S. Banker St. • Effingham, IL 62401 • PO BOX 609 • quotes@johnboos.com

www.johnboos.com

050818

209