

# Skyfood

## PA-141

### HEAVY DUTY FOOD PROCESSOR



#### NEW DESIGN

This Heavy Duty Food Processor features a large lever feed hopper that easily holds whole blocks of mozzarella and other types of cheeses as well as vegetables. Floor model for perfect working height. Powerful 1 1/2 HP motor guarantees power to oversized 17" discs and high volume production. Handle pusher shreds cheese effortlessly. A selection of 7 blades is available to best suit users needs. Oversized catch bucket allows continuous use.



Easily comes apart for cleaning.

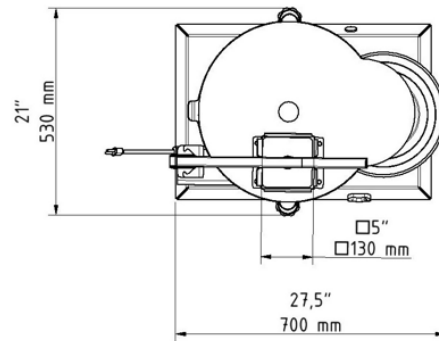
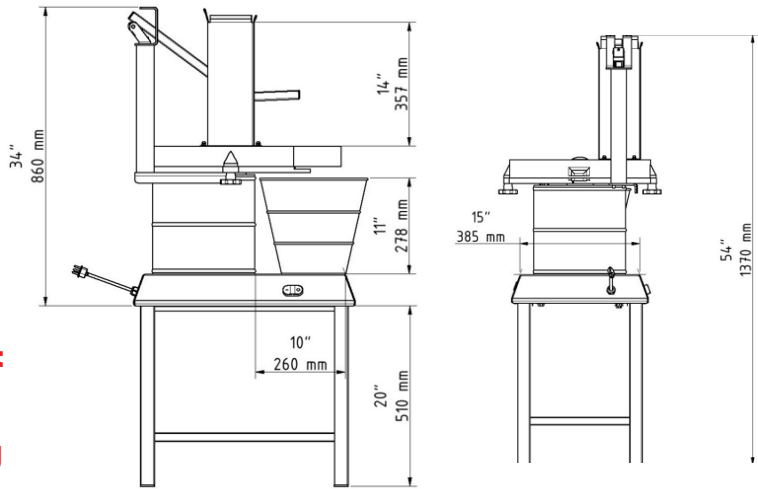


# Skyfood

## PA-141

### HEAVY DUTY FOOD PROCESSOR

- Bulk slicer, shredder and grater
- Stainless steel large hopper holds full blocks of mozzarella, jack and cheddar cheeses and large pieces of vegetables
- Powerful 1 1/2 HP Motor
- Floor model for perfect working height
- Stainless steel handle pusher
- Aluminum 3 gal. catch bucket included
- Top easily removable for cleaning



#### 7 optional blades (sold separately):

DISC	MODEL	CUT THICKNESS		
Slicers	141-E1.5	1/16"		
	141-E3	1/8"		
	141-E6	1/4"		
Shredders	141-Z3	1/8"		
	141-Z5	3/16"		
	141-Z8	5/16"		
Grater	141-V			

- Voltage..... 110 V
- Power Rating..... 1 1/2 HP
- Height ..... 54"
- Width ..... 27 1/2"
- Depth..... 21"
- Net Weight..... 132 lb
- Shipping Weight ..... 218 lb
- Production ..... 880 lb/h
- Disc Diameter..... 17"
- Feed Hopper Size..... 5 1/8" x 5 1/8"

**Office:**  
11900 Biscayne Blvd Suite 616,  
North Miami, FL 33181  
Phone: 800-503-7534 or 305-868-1603  
Fax: 305-866-2704

**Warehouse:**  
11200 NW 25th Street,  
Suite 117, Miami,  
FL 33172 - USA

**1-800-503-7534**  
[www.skyfood.us](http://www.skyfood.us)

Contact your local Skyfood Representative for additional information.  
Visit our web site at [www.skyfood.us](http://www.skyfood.us) for location and contact information.

WARRANTY 1 (one) year parts and labor valid in the Continental United States.

SPECIFICATIONS ARE SUBJECT TO CHANGE WITHOUT NOTICE.