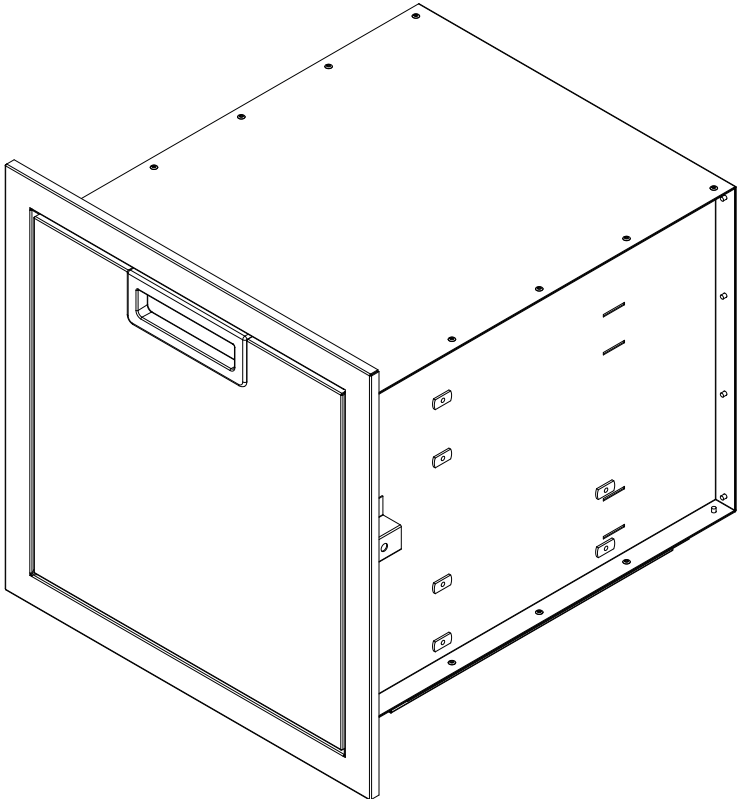
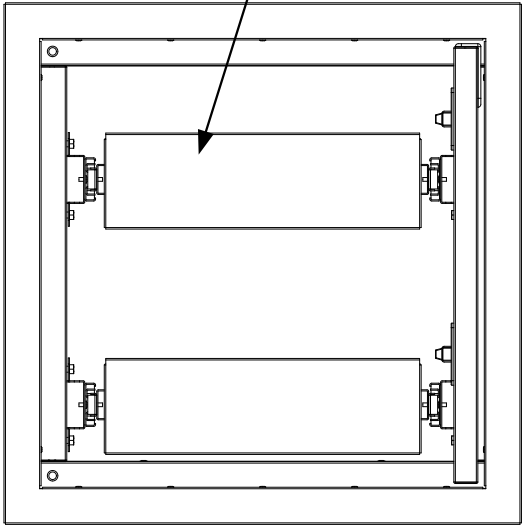
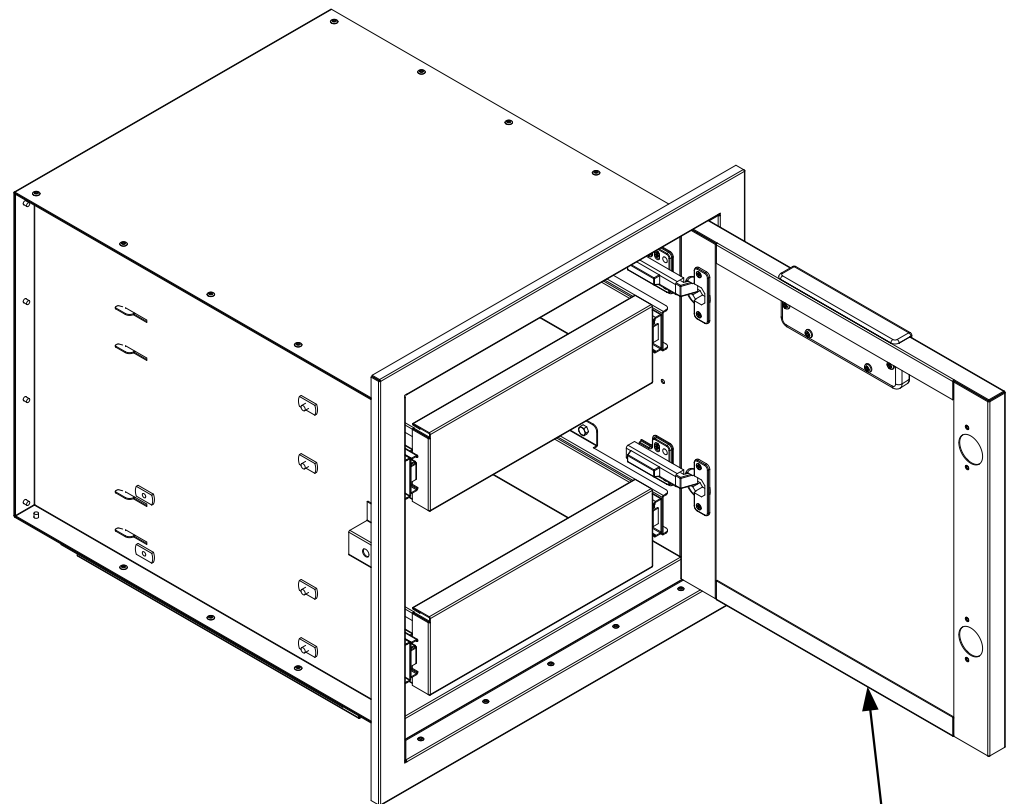


REVISION HISTORY			
REV	DESCRIPTION	DATE	APPROVED
-	Engineering Release	01/01/2020	Todd Stone

Two drawer cabinet shown. The cabinet is also available in a single drawer (IBISC-1D) option. Drawers can be relocated into either of the two mounting options shown. Drawers can also be added at a later date.



Door shown with righthand mounting option. Door hardware can be switched for a lefthand mount

CROWN VERITY

37 Adams Blvd., Brantford, Ontario, N3S 7V8
P: (519) 751-1800 www.crownverity.com

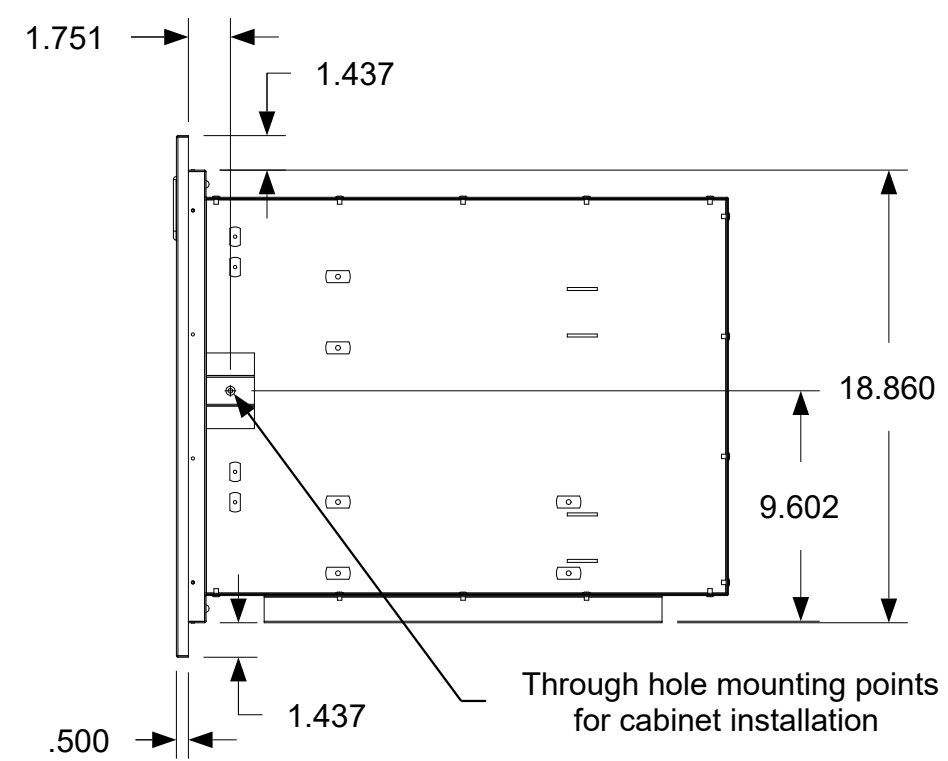
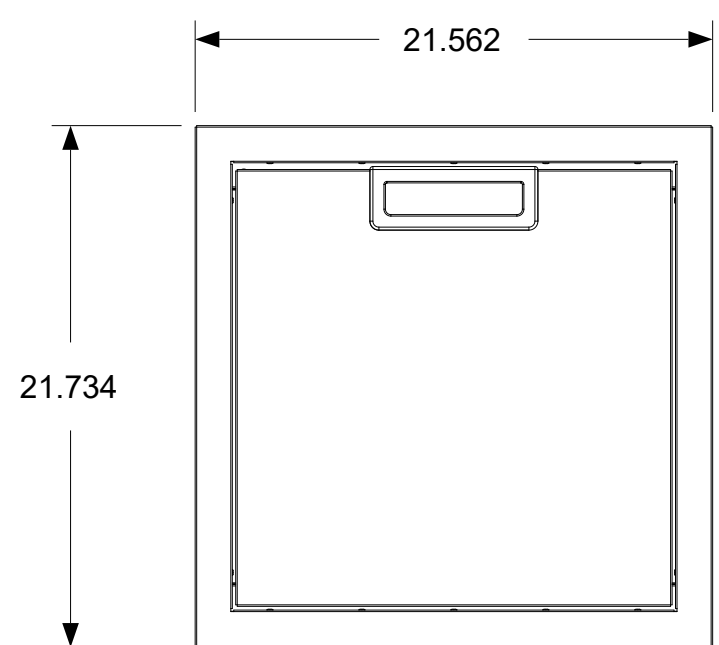
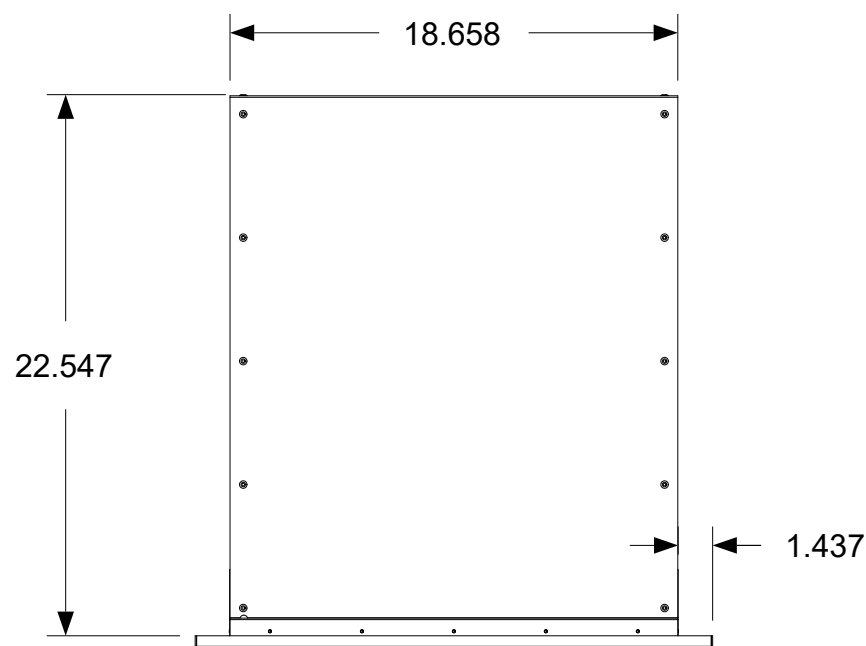
Suggested Cut-out Dimensions	
Height	19.125
Width	18.938
Depth	23.000
Material	SS 304

Dimensions are in inches
Linear Tolerance: +/- .015
Bend Tolerance: +/- .020
Angular Tolerance: +/- 0.5
Radial Tolerance: +/- .005

DRAWN BY: Todd Stone

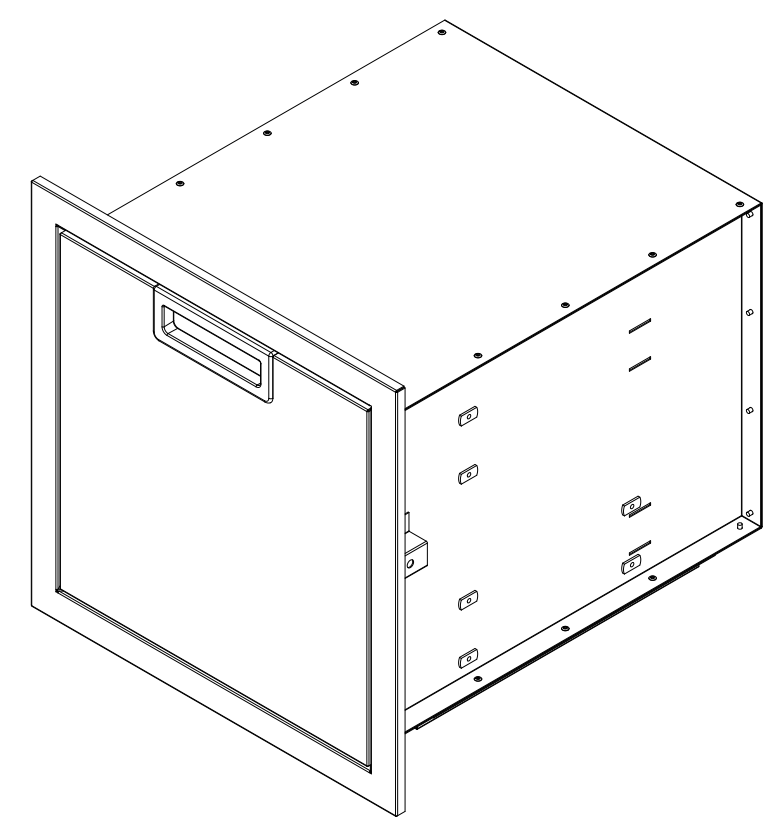
TITLE **Infinite Built-In Storage Cabinet-Small with Two Drawer Option**

SIZE	Customer	DWG NO	REV
B	Crown Verity	IBISC-2D	-
SCALE	1:8	01/01/2020	SHEET 1 of 2



Dimensions shown are the actual physical dimensions. Additional clearances to the cabinetry are dependent on the tolerances of the cut-out. The suggested cut-out dimensions are listed in the chart below but these dimensions can be reduced if the tolerances are controlled. Please refer to the product manual for installation instructions.

REVISION HISTORY			
REV	DESCRIPTION	DATE	APPROVED
-	Engineering Release	01/01/2020	Todd Stone



CROWN VERITY

37 Adams Blvd., Brantford, Ontario, N3S 7V8
P: (519) 751-1800 www.crownverity.com

Suggested Cut-out Dimensions		Dimensions are in inches Linear Tolerance: +/- .015 Bend Tolerance: +/- .020 Angular Tolerance: +/- 0.5 Radial Tolerance: +/- .005
Height	19.125	
Width	18.938	
Depth	23.000	
Material	SS 304	DRAWN BY: Todd Stone

TITLE Infinite Built-In Storage Cabinet-Small with Two Drawer Option			
SIZE B	Customer Crown Verity	DWG NO IBISC-2D	REV -
SCALE 1:8	01/01/2020	SHEET	2 of 2