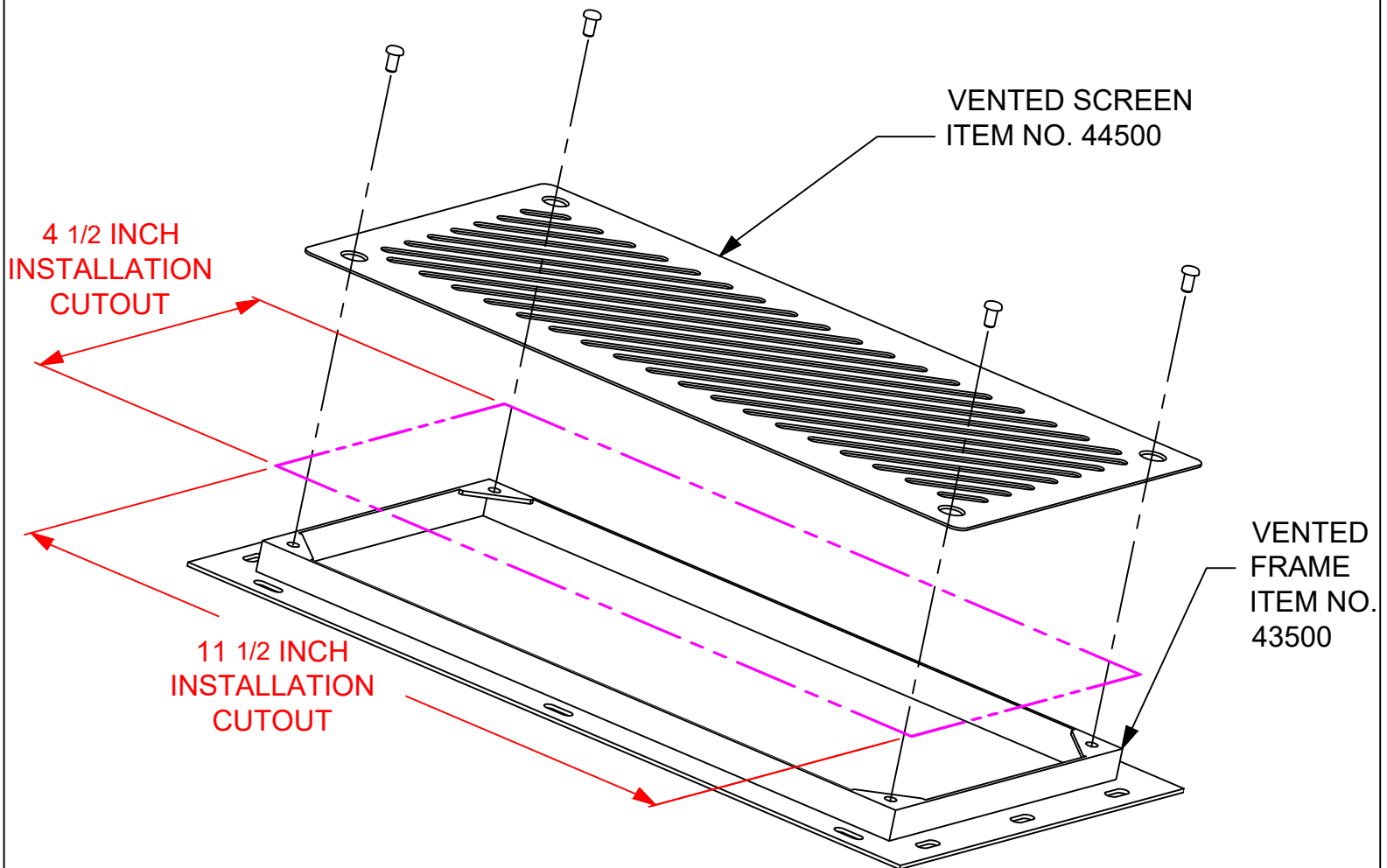




WWW.BULLBBQ.COM

SPEC SHEET
ITEM #43500
ISLAND VENT AND
SCREEN PACKAGE



NOTES:

- 1) ALL DIMENSIONS ARE IN INCH UNITS
- 2) REFER TO PERSPECTIVE VIEW FOR INSTALLATION CUTOUT DIMENSIONS.

v2022.12.02