



**“WE MAKE THE KITCHEN BETTER!”**

Toll Free: 855-855-0399 Email: info@atosausa.com  
www.atosa.com | www.atosausa.com  
California, Colorado, Florida, Georgia, Illinois,  
Massachusetts, New Jersey, Ohio, Texas, Washington

# Shallow Depth Back Bar Coolers With Glass Doors

## Standard Features

- Black Exterior & Stainless Steel Interior
- Electronic temperature controller
- Maintains temperatures between 33°F – 40°F
- Heavy duty compressor with environmentally friendly R290 refrigerant
- Slide out compressor assembly for easy maintenance
- LED Interior light(s)
- Magnetic door gasket(s) standard for positive door seal
- Door lock(s) standard
- Pre-installed epoxy coated shelves
- Pre-installed casters

## Optional Accessories

- Extra shelves – includes 4 shelf clips per shelf  
SBB48GGRAUS2 - Top Left Shelf part#: W040237801 (Top Right Shelf, Bottom Shelves) W040237701
- SBB59GGRAUS2- Top Left Shelf part#: W040235801 (Top Right Shelf, Bottom Shelves) W040235701
- SBB69GGRAUS2 - Top Left Shelf part#: W040238101 (Top Right Shelf, Bottom Shelves) W040238001

For the best results of food preservation we recommend setting your refrigerator between 33 °F - 40 °F

1. Don't forget to leave the unit some room to breathe!
2. Please clean the condenser frequently to give the unit more fresh air.



2 YEAR PARTS AND LABOR WARRANTY (US ONLY)  
5 YEAR COMPRESSOR PART WARRANTY (US ONLY)

**MODELS:**  
SBB48GGRAUS2 /SBB59GGRAUS2 /SBB69GGRAUS2



**SBB48GGRAUS2**



**SBB59GGRAUS2**



**SBB69GGRAUS2**





**"WE MAKE THE KITCHEN BETTER!"**

Toll Free: 855-855-0399 Email: info@atosausa.com

www.atosa.com | www.atosausa.com

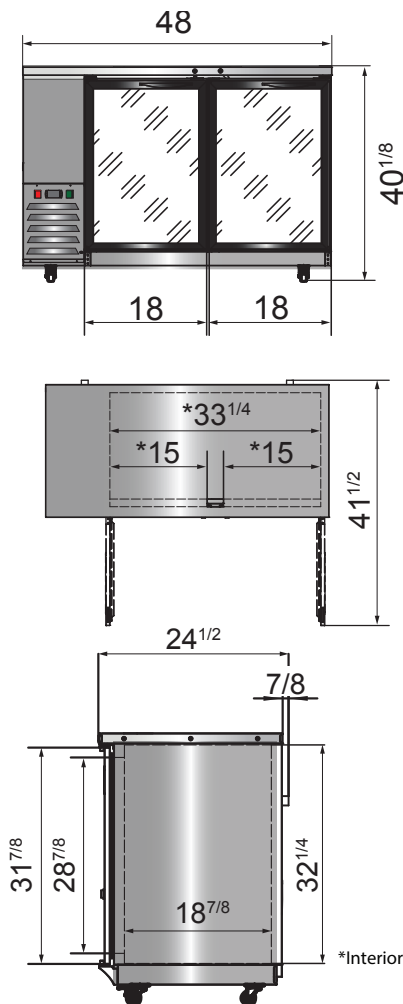
California, Colorado, Florida, Georgia, Illinois, Massachusetts, New Jersey, Ohio, Texas, Washington

## SPECIFICATIONS

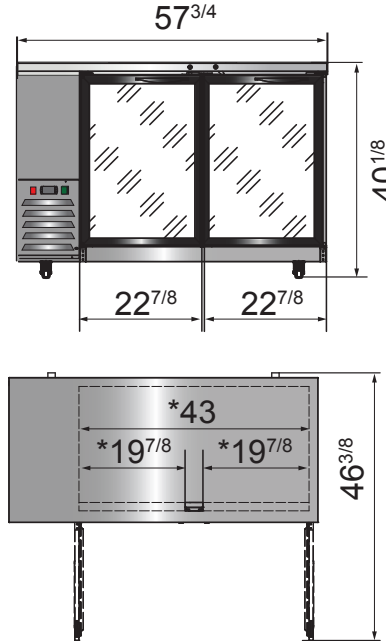
Models	Door	Capacity (Cu.Ft.)	Shelves	Casters (inch)	Amps (A)	Voltage (V/Hz/Ph)	HP	Refrigerant	Exterior Dimensions (inch)	Net Weight (lbs)	Gross Weight (lbs)
SBB48GGRAUS2	2	11.5	4	2	2.3	115/60/1	1/7	R290	48×24 <sup>1/2</sup> ×40 <sup>1/8</sup>	205	249
SBB59GGRAUS2	2	15	4	2	2.3	115/60/1	1/7	R290	57 <sup>3/4</sup> ×24 <sup>1/2</sup> ×40 <sup>1/8</sup>	225	269
SBB69GGRAUS2	2	18.6	4	2	2.3	115/60/1	1/7	R290	68×24 <sup>1/2</sup> ×40 <sup>1/8</sup>	247	298

## PLAN VIEW

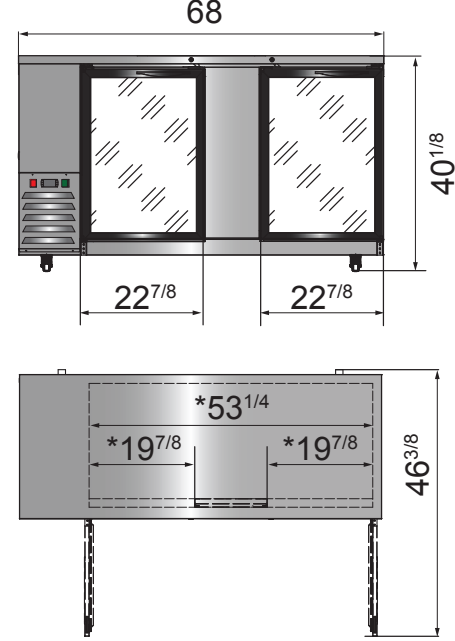
**SBB48GGRAUS2**



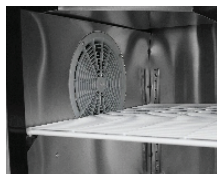
**SBB59GGRAUS2**



**SBB69GGRAUS2**



Epoxy shelves



Door lock



Temperature control



**NEMA 5-15P**



NEMA 15A/125V