



U-Star's Undercounter Freezers are constructed of heavy duty stainless steel both inside and out making them strong and durable enough to survive in any kitchen environment. These units are perfect for adding more storage space anywhere you need. The flat stainless steel countertop allows for them to be used as a separate workstation. All undercounter units come with 6" casters and plastic coated wire shelving. These models are ETL Listed and ETL Sanitation. They are backed with a 1 year warranty on parts and labor and a 5 year warranty on the compressor.

Product Features

- 430 series stainless steel exterior
- 304 series stainless steel interior
- Environmentally-friendly R290 refrigerant
- Precise digital temperature controller with LED display
- Foamed-in-place polyurethane high density cell insulation throughout the entire cabinet
- Automatic defrosting
- Removable door gasket
- Recessed door handles
- (4) 6" casters (2 locking and 2 non-locking)



NEMA 5-15 PLUG
120V/15 Amps



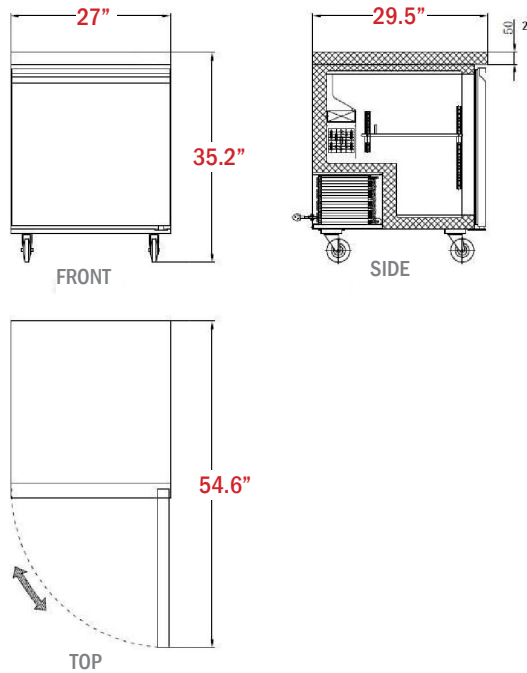
Specifications



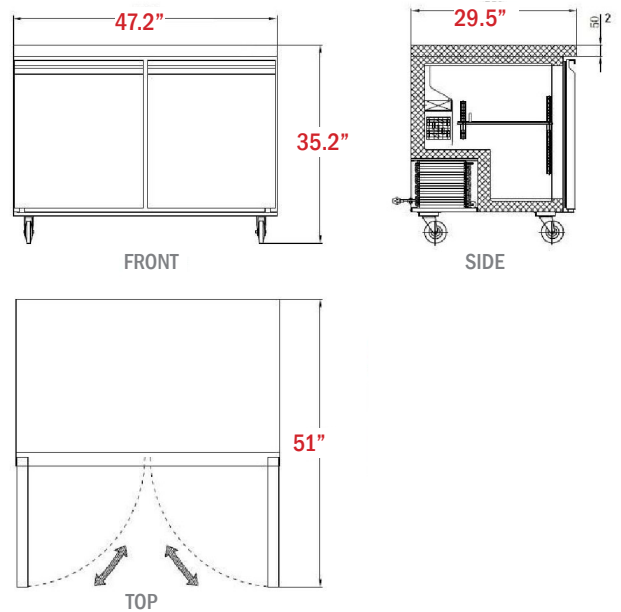
Model Number	USUCFZ-27	USUCFZ-48
Doors	1	2
Shelves	1	2
Net Volume (Cu. Ft.)	6 Cu. Ft.	12 Cu. Ft.
Overall Dimensions (in)	27" x 29.5" x 35"	48" x 29.5" x 35"
Interior Dimensions (in)	22" x 23" x 24"	43" x 23" x 24"
Horsepower	1/5	1/4
Refrigerant	R290	R290
Voltage/Hertz/Phase	115/60/1	115/60/1
Amps	2.1	4.5
Net Weight (lbs)	159 lbs	247 lbs
Gross Weight (lbs)	203 lbs	291 lbs
Shipping Dimensions (in)	29.5" x 32.5" x 38.5	50" x 32.5" x 38.5

Plan Views

USUCFZ-27



USUCFZ-48



Features

Refrigeration System

- Refrigeration units use environmentally friendly R290 refrigerant
- Maintain a temperature range of -7°F – 0°F
- Rugged built axial evaporator fans run efficiently with low velocity and high volume air flow

Electrical Control

- Electric LED temperature controller provides a digital display of cabinet temperatures and allows for easy temperature adjustments when necessary
- Temperature controller initiates automatic defrost schedule for worry free use
- 7 foot power cord with NEMA 5-15 plug

Cabinet Construction

- Exterior is constructed of 430 stainless steel including the doors
- Interior is constructed of 304 stainless steel
- The cabinet is insulated throughout with a foamed-in-place high density cell polyurethane insulation

Door(s)

- Stainless steel exterior with matching aluminum liner on the inside
- Positive self-closing doors with micro-switch that shuts the evaporator fans off when the door is open
- Recessed handles are built into the door for easy opening and closing
- Removable door gasket for easy cleaning

Shelving

- Adjustable plastic coated steel shelves that have a load capacity of up to 90 lbs per shelf

Model Feature

- 6" casters come standard on all stainless steel models 2 locking and 2 non-locking.

