



U-Star's Solid Door Reach-In Refrigerators are constructed of heavy duty stainless steel both inside and out making them strong and durable enough to survive any kitchen environment. The cooling units are bottom mounted and slide out for easy maintenance and cleaning. All models come with 6" casters and plastic coated wire shelving that is easily removable to adjust the shelf height. The front digital controllers and LED readout makes it easy to adjust the interior temperature. These models are ETL Listed and ETL Sanitation. They are backed with a 1 year warranty on parts and labor and a 5 year warranty on the compressor.

Product Features

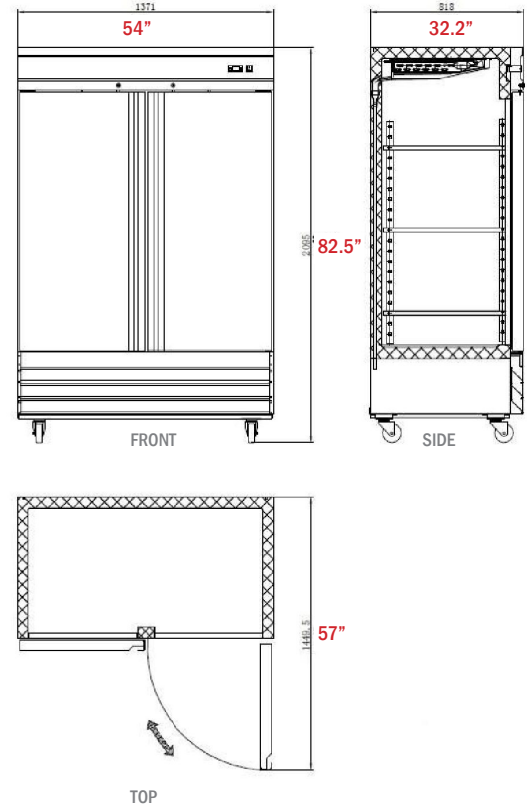
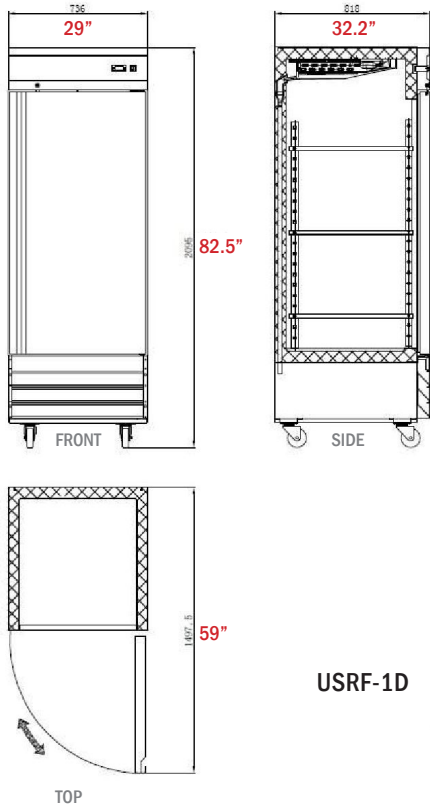
- 430 series stainless steel exterior
- 304 series stainless steel interior
- Environmentally-friendly R290 refrigerant
- Self-closing doors
- Specially designed sliding shelf racking system
- Precise digital temperature controller with LED display
- Foamed-in-place polyurethane high density cell insulation throughout the entire cabinet
- Bottom mounted cooling unit that slides out
- Removable door gasket
- Recessed door handles
- (4) 6" casters (2 locking and 2 non-locking)



Specifications

Model Number	USRF-1D	USRF-2D	USRF-3D
Doors	1	2	3
Shelves	3	6	9
Net Volume (Cu. Ft.)	23 Cu. Ft	48 Cu. Ft	72 Cu. Ft
Overall Dimensions (in)	29" x 32" x 82.5"	54" x 32" x 82.5	81" x 32" x 82.5
Interior Dimensions (in)	24" x 27" x 60"	49" x 27" x 60"	76" x 27" x 60"
Horsepower	1/5	1/4	3/4
Refrigerant	R290	R290	R290
Voltage/Hertz/Phase	115/60/1	115/60/1	115/60/1
Amps	2.6	3.8	9
Net Weight (lbs)	278 lbs	448 lbs	650 lbs
Gross Weight (lbs)	322 lbs	536 lbs	694 lbs
Shipping Dimensions (in)	31.5" x 35" x 85"	57" x 35" x 85"	83" x 35" x 85"

Plan Views



Features

Cooling System

- Refrigeration units use environmentally friendly R290 refrigerant
- Maintain a temperature range of 32°F–41°F
- Bottom mounted cooling unit slides out for easy cleaning and maintenance and allows for storage area on top of the unit
- Rugged built axial evaporator fans run efficiently with low velocity and high volume air flow

Electrical Control

- Electric LED temperature controller provides a digital display of cabinet temperatures and allows for easy temperature adjustments when necessary
- Temperature controller initiates automatic defrost schedule for worry free use
- 7 foot power cord with NEMA 5-15 plug



Cabinet Construction

- Exterior is constructed of 430 stainless steel including the doors
- Interior is constructed of 304 stainless steel
- The cabinet is insulated throughout with a foamed-in-place high density cell polyurethane insulation

Door(s)

- Stainless steel exterior with matching aluminum liner on the inside
- Positive self-closing doors with microswitch that shuts the evaporator fans off when the door is open
- Recessed handles are built into the door for easy opening and closing
- Locking door keep items inside secure after hours
- Stainless steel doors are field reversible

Shelving

- Adjustable plastic coated steel shelves that have a load capacity of up to 120 lbs per shelf
- Specially designed stainless steel racking system allows for easy shelf height adjustment and gives the user the ability to slide out the shelf to better reach the food inside

Model Features

- Incandescent interior lighting activated by door switch
- 6" casters come standard on all stainless steel models. Two locking wheels and 2 non-locking wheels.