



U-Star's Pizza Prep Tables are constructed of heavy duty stainless steel both inside and out making them strong and durable enough to survive in any kitchen environment. Store all of your toppings in the refrigerated pan rail that can hold a variety of different sized food pans up to 6" deep. The hinged insulated cover keeps the toppings cold when not in use. Store additional items below in the cabinet for quick access when needed. All pizza prep tables come with 6" casters, plastic coated wire shelving and a 19" extra deep, 3/4" thick polyethylene cutting board. These models are ETL Listed and ETL Sanitation. They are backed with a 1 year warranty on parts and labor and a 5 year warranty on the compressor.

Product Features

- 430 series stainless steel exterior
- 304 series stainless steel interior
- Environmentally-friendly R290 refrigerant
- Precise digital temperature controller with LED display
- 19" extra deep, 3/4" thick polyethylene cutting board
- Foamed-in-place polyurethane high density cell insulation throughout the entire cabinet
- Hinged insulated lid
- Removable door gasket
- Recessed door handles
- Clear plastic food pans included
- (4) 6" casters (2 locking and 2 non-locking)



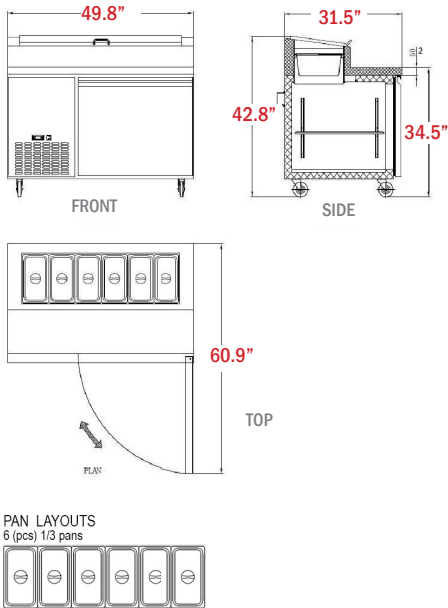
Specifications



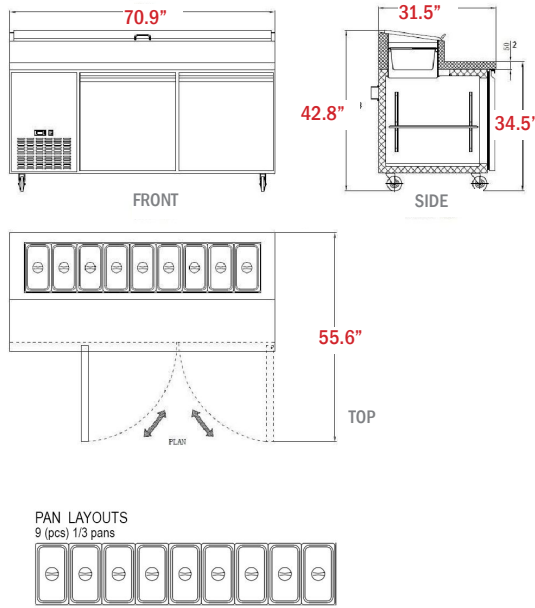
Model Number	USPZ-1D	USPZ-2D	USSPZ-3D
Doors	1	2	2
Shelves	1	2	3
Net Volume (Cu. Ft.)	9 Cu. Ft	16 Cu. Ft	24 Cu. Ft
Overall Dimensions (in)	50" x 32" x 43"	71" x 32" x 43"	92" x 32" x 43"
Interior Dimensions (in)	27" x 23" x 26"	48" x 23" x 26"	70" x 23" x 26"
Horsepower	1/4	1/3	1/2
Refrigerant	R290	R290	R290
Voltage/Hertz/Phase	115/60/1	115/60/1	115/60/1
Amps	6	9.8	10.5
Net Weight (lbs)	287 lbs	418 lbs	441 lbs
Gross Weight (lbs)	331 lbs	475 lbs	485 lbs
Shipping Dimensions (in)	55" x 36" x 46"	76" x 36" x 46"	97" x 36" x 46"

Plan Views

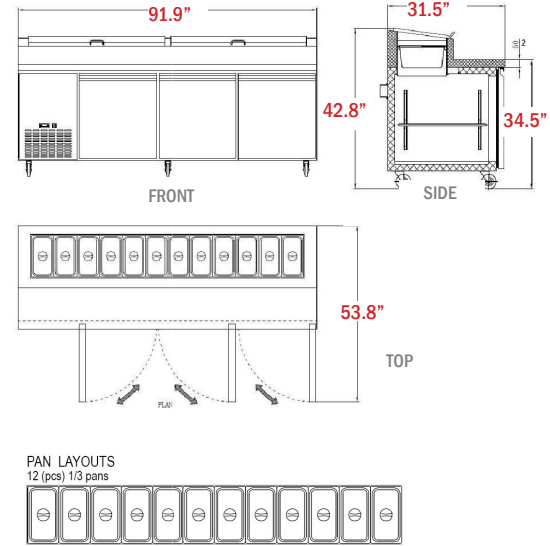
USPZ-1D



USPZ-2D



USPZ-3D



Features

Refrigeration System

- Refrigeration units use environmentally friendly R290 refrigerant
- Maintain a temperature range of 32°F–41°F
- Rugged built axial evaporator fans run efficiently with low velocity and high volume air flow

Electrical Control

- Electric LED temperature controller provides a digital display of cabinet temperatures and allows for easy temperature adjustments when necessary
- Temperature controller initiates automatic defrost schedule for worry free use
- 7 foot power cord with NEMA 5-15 plug



Cabinet Construction

- Exterior is constructed of 430 stainless steel including the doors
- Interior is constructed of 304 stainless steel
- The cabinet is insulated throughout with a foamed-in-place high density cell polyurethane insulation

Door(s)

- Stainless steel exterior with matching aluminum liner on the inside
- Positive self-closing doors with micro-switch that shuts the evaporator fans off when the door is open
- Recessed handles are built into the door for easy opening and closing
- Removable door gasket for easy cleaning

Shelving

- Adjustable plastic coated steel shelves that have a load capacity of up to 90 lbs per shelf

Model Features

- 19" extra deep, 3/4" thick polyethylene cutting board that runs the full length of the unit
- Insulated hinged lid to keep food cold while not in use
- 6" casters come standard on all stainless steel models 2 locking and 2 non-locking.
- 3/4" thick poly cutting board
- Clear plastic food pans included