



## Glass Frosters



U-Star's Glass Frosters are perfect to frost beer glasses and chill salad plates used to serve your guests. These units efficiently chill glasses with a delicate layer of frost, keeping your craft beers cool and fresh tasting. They are also great for chilling salad plates, keeping lettuce leaves crisp longer. Featuring sliding stainless-steel doors for easy access, these units do not need to be running continuously and can be turned off after hours to save electricity. These models are ETL Listed and ETL Sanitation. They are backed with a 1 year warranty on parts and labor and a 5 year warranty on the compressor.

### Product Features

- Durable stainless steel top
- Coated aluminum interior
- Attractive corrosion-resistant exterior vinyl on steel with black finish
- Sliding stainless steel door for easy access
- Adjustable coated steel dividers included
- Maintains a safe temperature range of 0 degrees Fahrenheit
- Environmentally-friendly R290 refrigerant
- Saves electricity and can be turned off during non-business hours
- Electronic control system makes it easy to adjust temperature point setting and defrost frequency



USGF-1L



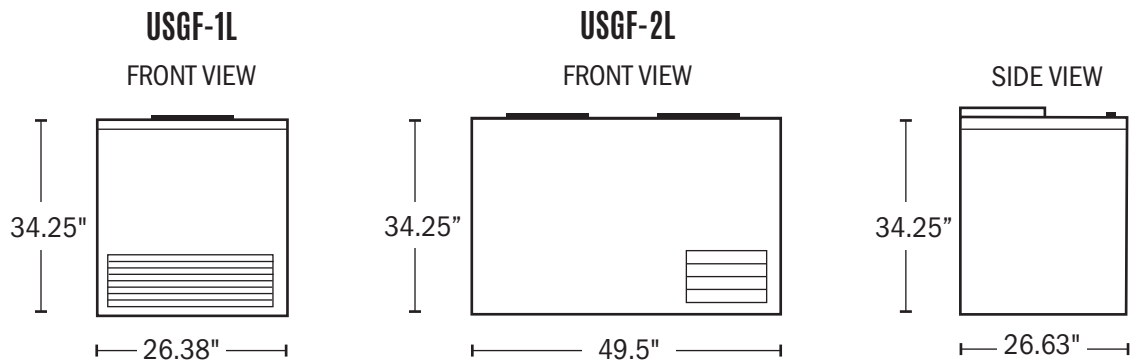
USGF-2L

### Specifications

Model Number	USGF-1L	USGF-2L
Lids	1	2
Storage Capacity (8" mugs)	90	250
Storage Capacity (10 oz. steins)	85	240
Net Volume Cu. Ft.	4.1 Cu. Ft.	12.2 Cu. Ft.
Horsepower	1/5	1/4+
Refrigerant	R290	R290
Voltage/Hertz/Phase	115/60/1	115/60/1
Amps	2.04	3
Overall Dimensions (in)	26.38"W × 26.63"D × 34.25"H	49.5"W × 26.63"D × 34.25"H
Net Weight (lbs)	166 lbs	232 lbs
Gross Weight (lbs)	210 lbs	276 lbs

## Glass Frosters

### Plan Views



### Features

#### Refrigeration System:

- Environmentally R290 refrigerant
- Removable installation board makes it easy to access condenser coil for cleaning and service
- Temperature of -5–2 degrees Fahrenheit

#### Electrical Control:

- Front LED temperature display for easy viewing of internal temperature
- Electronic controls make it easy to adjust temperature set point and defrost frequency
- NEMA 5-15 Plug



#### Cabinet Construction:

- Black-coated steel exterior for a sleek appearance
- Painted aluminum interior allows for easy cleaning
- Insulated throughout with foamed-in-place high density cell polyurethane insulation

#### Doors:

- Sliding stainless steel doors for easy access

#### Shelving:

- Adjustable plastic-coated steel shelves that allow you to organize the interior to meet your needs

#### Model Features:

- USGF-1L accommodates ninety (90) 8" mugs and eighty-five (85) 10 oz. steins
- USGF-2L accommodates two hundred and fifty (250) 8" mugs and two hundred and forty (240) 10 oz. steins