

Black Diamond's Portable Oil Filtration Systems are designed to preserve the life of your oil and ensure consistent fried food quality while saving you money. Model BDOF-40 holds up to 40 lbs of oil, BDOF-75 holds up to 75 lbs, and BDOF-110 holds up to 100 lbs. These compact, low profile units are constructed of all stainless steel and mounted on 4 swivel casters for easy movement and storage. Their low profile body allows for easy placement under the fryer drain. The included stainless steel cover keeps the units safe and clean while not in use. These units are CE Certified and are backed by a one year replace or repair warranty.



Features

- Constructed of heavy duty stainless steel
- Removable flexible filtering hose is 5' long and equipped with a stainless steel nozzle and cool-to-touch handle
- Mounted on 4 (2 locking) swivel casters for easy movement
- Fold-down handle allows for safe and easy transporting
- Stainless steel cover keeps units safe and clean while not in use
- Separate on/off power switch
- Pump button allows for start/stop of filtering cycle

- Large filter chambers
- Includes stainless steel gasket, filter mesh and rubber gasket
- Pumps up to 1.32 gallons of oil per minute
- 5' removable power cord with NEMA 5-15 plug



Separate "power" and "pump" controls

Available Accessories

- Filter papers
- Filter powder



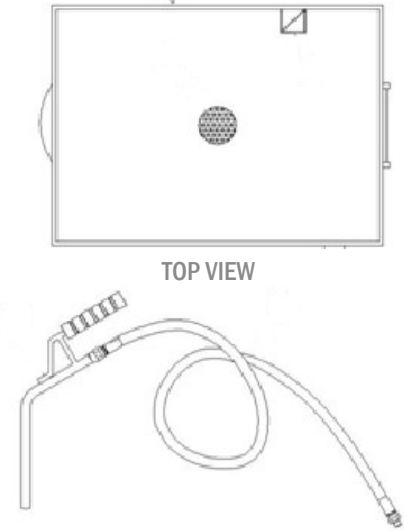
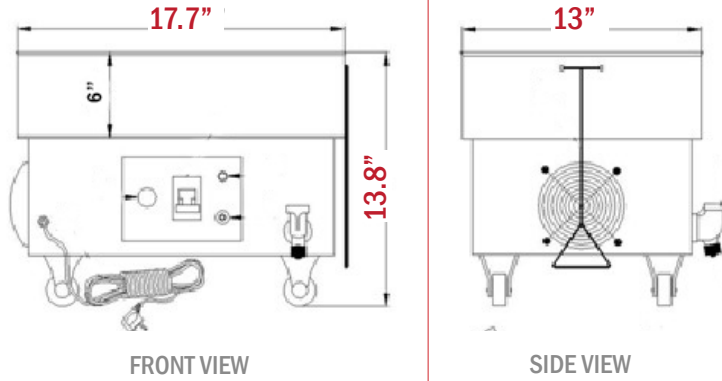
Specifications

Model Number	BDOF-40	BDOF-75	BDOF-110
Description	40 lb Portable Oil Filter	75 lb Portable Oil Filter	110 lb Portable Oil Filter
Oil Capacity	40 lbs	75 lbs	110 lbs
Capacity of Filtering Chamber (gal)	5.28 gal	10.6 gal	15.32 gal
Filtration Area	1.4 sq ft	1.4 sq ft	1.4 sq ft
Oil Temperature	248°F - 392°F	248°F - 392°F	248°F - 392°F
Rate of Flow (gal)	1.32 gal/min	1.32 gal/min	1.32 gal/min
Horsepower	1/3 HP		
Power/Voltage	0.3KW/120 V	0.3KW/120 V	0.2KW/110 V
NEMA plug	5-15	5-15	5-15
Overall Dimensions (in)	17.7"L x 13"W x 13.8"H	23.2"L x 13.5"W x 13.8"H	29"L x 14.7"W x 13.8"H
Shipping Dimensions (in)			
Net Weight (lbs)	55.12 lbs	68.34 lbs	77.16 lbs
Gross Weight (lbs)			
Mode	Movable	Movable	Movable

Black Diamond warrants this product to be free of defects in materials and workmanship for a period of 1 year from the date of original installation.

Plan Views

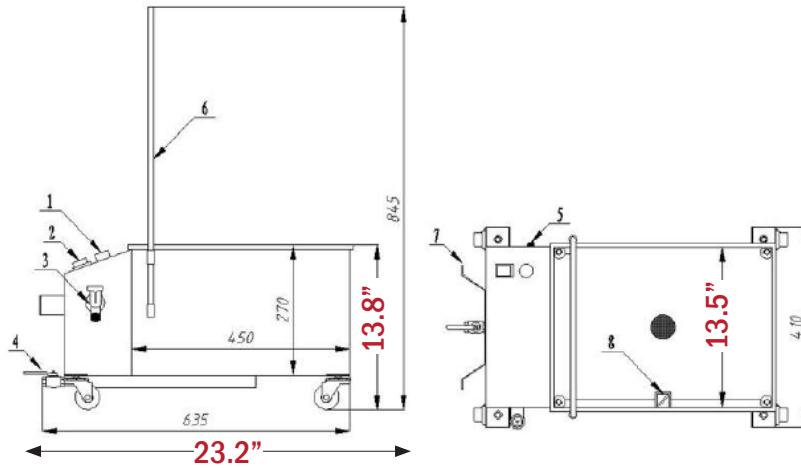
BDOF-40



Filtering hose is 5' long with a 1' nozzle

Plan Views

BDOF-75



Plan Views

BDOF-110

