

BLACK DIAMOND

G A S E Q U I P M E N T

BDECTG Series Specifications

Standard Radiant Gas Countertop Griddles

Black Diamond's Standard Series Radiant Gas Countertop Charbroilers are designed for use with either natural or LP gas. Constructed of stainless steel front and sides that are fully welded, these units are able to stand the toughest of kitchen environments. Each unit includes tips for field conversion to LPG.



This item meets the sanitation standards imposed by the ETL, a division of the Intertek Group.

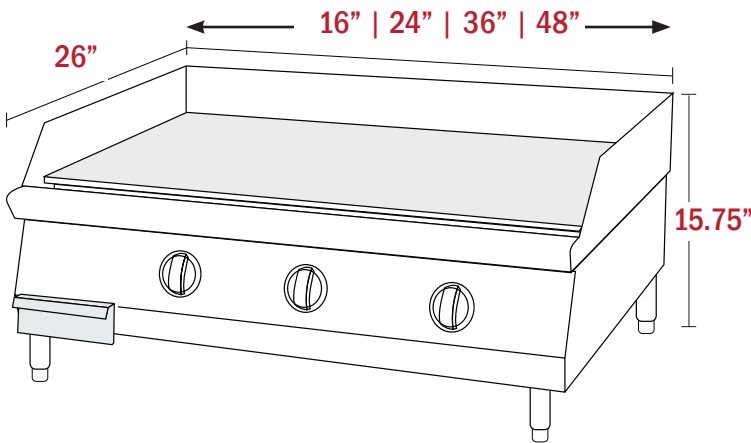


This item meets the electrical product safety standards imposed by the ETL, a division of the Intertek Group, for use in the United States and Canada.



BDECTG-16/NG
BDECTG-24/NG
BDECTG-36/NG
BDECTG-48/NG

Plan Views



Drip Tray Dimensions

Model	Width	Depth	Height
BDECTG-16/NG	6.25"	16.75"	3"
BDECTG-24/NG	6.25"	16.75"	3"
BDECTG-36/NG	6.25"	16.75"	3"
BDECTG-48/NG	6.25"	16.75"	3"

Features

- Fully welded stainless steel front bullnose design with galvanized sides
- Fully welded stainless steel backsplash for extra durability
- 30,000 BTU per burner
- One U-shape stainless steel burner for every 12" griddle width
- Griddle plate is made up of 5/8" thick steel (3/4" for BDECTG-48 model)
- 3" wide grease trough for easy cleaning
- 4"-5" adjustable legs
- Separate gas valves for each burner with standing pilot ignition system
- Removable stainless steel drip tray for easy cleaning
- 3/4" rear NPT gas inlet
- ETL Listed and ETL Sanitation

Specifications

Model Number	BDECTG-16/NG	BDECTG-24/NG	BDECTG-36/NG	BDECTG-48/NG
Total BTU	30,000 BTU	60,000 BTU	90,000 BTU	120,000 BTU
Overall Dimensions (in)	15.75"H x 16"W x 26"D	15.75"H x 24"W x 26"D	15.75"H x 36"W x 26"D	15.75"H x 48"W x 26"D
Burners	1	2	3	4
Net Weight (lbs)	103 lbs	114 lbs	176 lbs	297 lbs
Gross Weight (lbs)	136 lbs	147 lbs	218 lbs	421 lbs
Drip Tray	1	1	1	1

Black Diamond warrants this product to be free of defects in materials and workmanship for period of 1 year from the date of original installation.