

# BLACK DIAMOND

G A S E Q U I P M E N T

## BDCTG-T Specifications

Heavy Duty Thermostatic Griddles

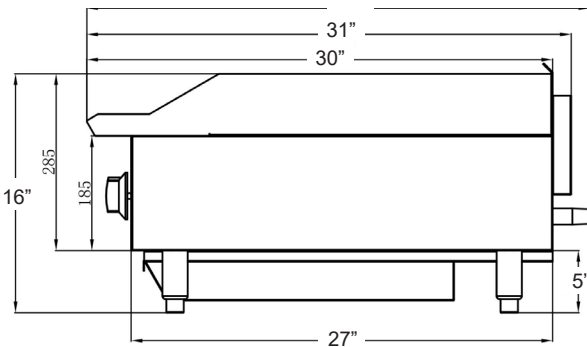
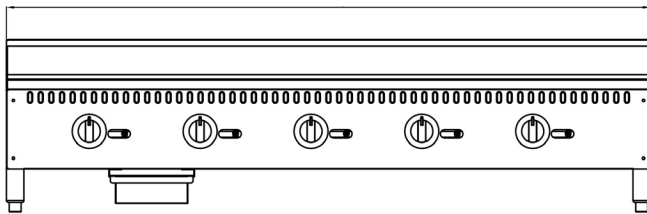
Black Diamond's Heavy Duty Thermostatic Griddles are designed to maintain precise cooking temperatures during your busiest hours. Each "U" shaped stainless steel burner puts out 30,000 BTU/hr and are spaced out evenly throughout the entire griddle plate giving you a more uniform heated surface. The thermostatic controls allow for precise cooking temperatures along the cooking surface. Each burner has its own individual standing pilot light and control which allows you to set up different cooking zones along the griddle plate. The 1" thick polished steel griddle plate is made to handle cooking at high heats for an extended period of time. The 20" cooking depth provides maximum cooking surface area. Comes standard with adjustable heavy duty legs, drip tray and has a 3/4" rear NPT gas connection. Field convertible to LPG. ETL Listed and ETL Sanitation.



BDCTG-16T  
BDCTG-24T  
BDCTG-36T  
BDCTG-48T

### Plan Views

24", 36", 48" 60" Widths Available



### Features

- Stainless steel front, sides and splash guards that are fully welded for extra durability
- Griddle plate is made up of 1" thick polished steel
- One "U" shaped stainless steel burner for every 12" griddle width
- 30,000 BTU/hr per burner
- Separate gas valves for each burner with standing pilot ignition system
- Adjustable thermostat from 200° - 450° F for precise control while cooking
- 3" wide grease trough for easy cleaning
- 4"-5" adjustable heavy duty steel legs
- Removable steel drip tray for easy cleaning
- 3/4" rear NPT gas inlet
- Field convertible to LPG - L.P. orifices included
- ETL Listed and ETL Sanitation

### Specifications

Model Number	BDECTG-16T/NG	BDECTG-24T/NG	BDECTG-36T/NG	BDECTG-48T/NG
Total BTU	60,000 BTU	60,000 BTU	120,000 BTU	150,000 BTU
Overall Dimensions (in)	24"W x 32"D x 16"H	24"W x 32"D x 16"H	48"W x 32"D x 16"H	60"W x 32"D x 16"H
Burners	2	3	4	5
Net Weight (lbs)	140 lbs	225 lbs	300 lbs	463 lbs
Gross Weight (lbs)	200 lbs	285 lbs	360 lbs	529 lbs
Cooking Dimensions	23.75"W x 22"D	35.75"W x 22"D	47.75"W x 22"D	59.75"W x 22"D