

WESTON

RECONNECT WITH REAL FOOD



MANUAL

MEAT GRINDER & SAUSAGE STUFFER

36-0801-W / 36-1001-W / 36-2201-W / 36-3201-W

DUE TO CONSTANT FACTORY IMPROVEMENTS, THE PRODUCT PICTURED MIGHT DIFFER SLIGHTLY FROM THE PRODUCT IN THIS BOX. 010716

GENERAL SAFETY RULES	3
COMPONENT LIST	4
CLEANING INSTRUCTIONS	6
GRINDER ASSEMBLY	7
STUFFER ASSEMBLY	8
GRINDING INSTRUCTIONS	9
STUFFING INSTRUCTIONS	9
FOOD SAFETY	10
SAUSAGE INFORMATION	11
WARRANTY INFORMATION	12
REGLAS IMPORTANTES DE SEGURIDAD	14
LISTA DE COMPONENTES	16
INSTRUCCIONES DE LIMPEIZA	18
ENSAMBLADO DE LA PICADORA	19
ENSAMBLADURA DE LA EMBUTIDORA	20
INSTRUCCIONES PARA PICAR	21
INSTRUCCIONES PARA EMBUTIR	21
SEGURIDAD DE LOS ALIMENTOS	22
INFORMACIÓN DE LA SALCHICHA	23
INFORMACIÓN DE GARANTÍA WESTON	24
IMPORTANTES RÈGLES DE SÉCURITÉ	26
DESCRIPTION DE LA PIÈCE	28
INSTRUCTIONS DE NETTOYAGE	30
MISE EN PLACE DU HACHOIR	31
CONFECTION DE SAUCISSES	32
INSTRUCTIONS DE HACHAGE	33
CONFECTION DE SAUCISSES	33
SÉCURITÉ ALIMENTAIRE	34
INFORMATIONS SUR LES SAUCISSES	35
INFORMACIÓN DE GARANTÍA WESTON	39

GENERAL SAFETY RULES

READ AND FULLY UNDERSTAND ALL INSTRUCTIONS AND WARNINGS PRIOR TO USING THIS UNIT. YOUR SAFETY IS MOST IMPORTANT! FAILURE TO COMPLY WITH PROCEDURES AND SAFE GUARDS MAY RESULT IN SERIOUS INJURY OR PROPERTY DAMAGE. REMEMBER: YOUR PERSONAL SAFETY IS YOUR RESPONSIBILITY!

1. KEEP FINGERS CLEAR of the Auger and Plate at all times. NEVER reach into any Grinder inlet.
2. Close adult supervision is necessary when any appliance is used near children. This grinder is NOT to be used by children.
3. CHECK FOR DAMAGED PARTS. Before using the Grinder, check that all parts are operating properly, and perform the intended functions. Check for alignment of moving parts, binding of moving parts, mounting and any other conditions that may affect the operation.
4. If the Grinder becomes jammed, briefly turn in reverse to clear blockage.
5. NEVER insert fingers or foreign objects into Grinder opening.
6. TIE BACK loose hair and clothing and roll up long sleeves before operating the Grinder. REMOVE ties, rings, watches, bracelets, or other jewelry before operating the Grinder.
7. WEAR EYE PROTECTION. Wear safety glasses. Everyday eye glasses are not safety glasses. Safety glasses conform to ANSI Z87.1 requirements. Note: approved safety glasses have Z87 printed or stamped on them.
8. Trim meat of all clots, cords, tendons, bones, etc. before grinding.
9. DO NOT grind bones or other hard objects.
10. DO NOT use the Grinder while under the influence of drugs or alcohol.

SAVE THESE INSTRUCTIONS

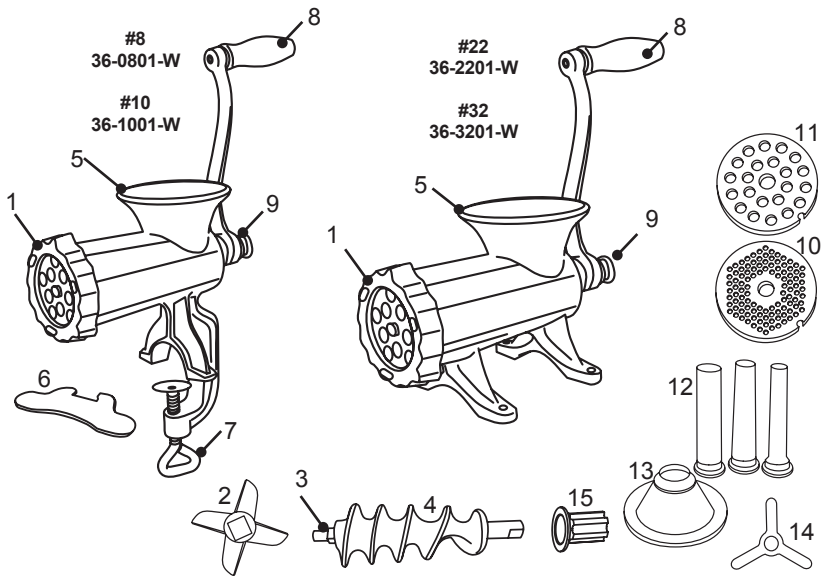
COMPONENT LIST

DIAGRAM NUMBER	PART DESCRIPTION	PART NUMBER (#8 36-0801-W)	PART NUMBER (#10 36-1001-W)	PART NUMBER (#22 36-2201-W)	PART NUMBER (#32 36-3201-W)
1	FRONT RING NUT	36-0802	36-1002	36-2202	36-3202
2	KNIFE	36-0803	36-1003	36-2203	36-3203
3	AUGER PIN	36-0804	36-1004	36-2204	36-3204
4	AUGER	36-0805	36-1005	36-2205	36-3205
5	GRINDER BODY	N/A	N/A	N/A	N/A
6	PROTECTOR PAD	36-0807	36-1007	N/A	N/A
7	CLAMP SCREW	36-0808	36-1008	N/A	N/A
8	HANDLE	36-0809	36-1009	36-2209	36-3209
9	THUMBSCREW	36-0810	36-1010	36-2210	36-3210
10	3/16"(4.5MM) PLATE	15-0804	15-1004	15-2204	15-3204
11	3/8" (10MM) PLATE	15-0810	15-1010	15-2210	15-3210
12	3 STUFFING FUNNELS	N/A	N/A	N/A	N/A
13	FUNNEL FLANGE	36-0817	36-1017	36-2217	36-3217
14	STUFFING STAR	N/A	N/A	N/A	N/A
15	AUGER BEARING	36-0811	36-1011	36-2211	36-3211

If any components of this unit are broken, the unit does not operate properly or you need a replacement instruction manual, visit us on the web at

WestonProducts.com

Or call Weston Brands LLC Toll Free at 1-800-814-4895
Monday thru Friday 8:00am-5:00pm ET. Outside the U.S. call 001-216-801-6801



IMPORTANT NOTE PRIOR TO USE

A protective coating is applied to this unit prior to shipment. This coating protects the unit in shipment and during its shelf life.

It is very important to thoroughly clean the unit before using it, especially around the edges or areas that have been soldered or welded. Completely disassemble and thoroughly clean all parts with hot water, dish detergent and a soft cloth. Rinse with clean water and dry thoroughly. DO NOT use any harsh or abrasive brushes, chemicals or detergents. Avoid using detergents or cleansers containing high percentages of free alkali or acid.

DO NOT clean any parts of this unit in a dishwasher.

Coat all metal parts with a food grade silicone spray after cleaning and before storing.

Be certain to store the unit in the original box in a cool, dry location.

Run a small "Test Batch" through the unit before initial use.

CLEANING INSTRUCTIONS

- PROPERLY CLEAN THE GRINDER PRIOR TO INITIAL USE!
- Disassemble the Grinder and hand wash each part thoroughly in warm, soapy water, taking particular care to remove all grease and oil from the surfaces.
- Dry all parts thoroughly before re-assembling. DO NOT ALLOW parts to air dry.
- Coat all metal parts, including the Plates and Knife, with a food grade silicone spray to prevent corrosion.
- The Grinder is NOT dishwasher safe.

SPECIAL NOTE FOR #32 GRINDERS ONLY: If the Front Ring Nut is difficult to remove, the Handle is designed with a small hole drilled into the back, which allows it to be used as a wrench to remove the Front Ring Nut only. DO NOT use this feature to tighten the Front Ring Nut.

CAUTION! It is important to follow the "Food Safety" guidelines outlined in this manual. For the most up to date instruction visit the USDA website.

GRINDER ASSEMBLY

1. A. If you are using a clamp down #8 or #10 Grinder, slide the Protector Pad onto the foot of the Grinder and tighten the Clamp Screw to secure the Grinder to the work surface. Allow ample room for the Handle to rotate.

B. If you are using a bolt down #22 or #32 Grinder, the body of the Grinder can be attached to a solid work surface using appropriately sized screws (not provided). Allow ample room for the Handle to rotate.

2. Slip the plastic Auger Bearing flange-end, face-first, over the Auger driver end. **FIGURE 1**

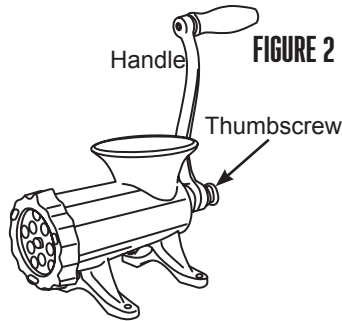
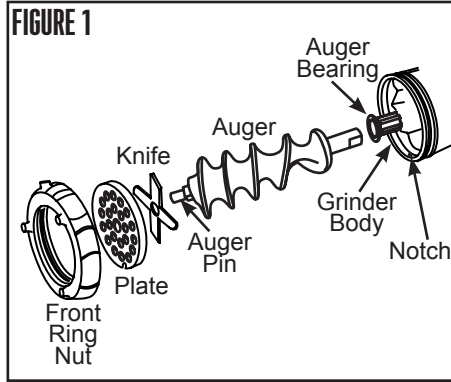
3. Together, carefully insert the Auger Bearing & Auger inside the Grinder Body

4. Slide the Knife over the square portion of the Auger Pin on the front of the Auger, making sure the cutting edges of the Knife are facing outward.

5. Slide the Plate of choice over the round portion of the Auger Pin. Align the notch on the Plate with the notch in the Grinder Body so that the Plate fully sits in the opening of the Grinder Body.

6. Snugly screw on the Front Ring Nut. **DO NOT OVER TIGHTEN!** If the Front Ring Nut is screwed onto the Grinder Body too tightly, the Auger will be hard to turn/will not turn.

7. Slide the Handle over the exposed end of the Auger and lock it in place with the Thumbscrew. **FIGURE 2**



STUFFER ASSEMBLY

1. A. If you are using a clamp down #8 or #10 Grinder, slide the Protector Pad onto the foot of the Grinder and tighten the Clamp Screw to secure the Grinder to the work surface. Allow ample room for the Handle to rotate.

B. If you are using a bolt down #22 or #32 Grinder, the body of the Grinder can be attached to a solid work surface using appropriately sized screws. Allow ample room for the Handle to rotate.

2. Insert the Auger Bearing into the Grinder Body through the hole in the back of the Grinder. **FIGURE 3**

3. Insert the Auger into the Grinder Body. Rotate the Auger while inserting to fully seat the Auger into the Grinder Body.

4. Slide the Stuffing Star over the round portion of the Auger Pin.

5. Attach the Stuffing Flange to the Funnel that will be used. Slide the Stuffing Funnel through the Front Ring Nut.

6. Snugly screw on the Front Ring Nut. **DO NOT OVER TIGHTEN!** If the Front Ring Nut is screwed onto the Grinder Body too tightly, the Auger will be hard to turn/will not turn.

7. Slide the Handle over the exposed end of the Auger and lock it in place with the Thumbscrew. **FIGURE 4**

FIGURE 3

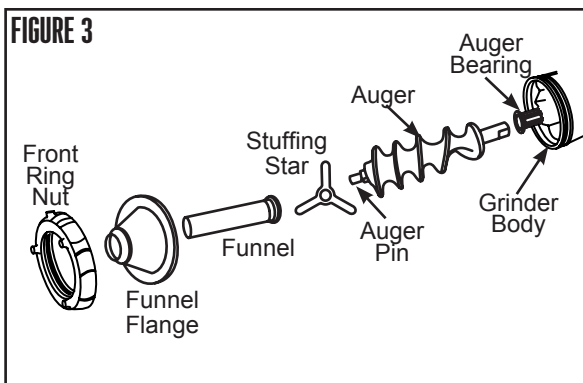
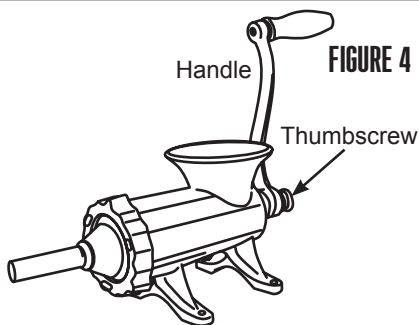


FIGURE 4



GRINDING INSTRUCTIONS

- Trim meat of all blood clots, cords, tendons, bones, etc. NEVER grind bones or other hard objects.
- For best results, be sure that all meat has been chilled to between 32-34°F (0-1°C) before grinding. DO NOT allow meat to sit out at room temperature longer than is absolutely necessary. Follow the Food Safety Guidelines as outlined.
- Cut meat into sizes small enough to fit into the Grinder. Approximately 1" (2.5 cm) cubes.
- As you feed chunks of meat into the Grinder, turn the Handle clockwise (when facing the Handle side of the Grinder). Be sure to have something to catch the meat as it comes out of the Grinder.
- If the Grinder should get stuck or become hard to turn, turn the Handle counter-clockwise to loosen the obstruction, then resume grinding. If this doesn't free the back-up, remove the Front Ring Nut, Plate, Knife and Auger to remove the obstruction.

STUFFING INSTRUCTIONS

- For the best stuffing results, two people are recommended for this operation.
- Fill the Grinder hopper with pre-ground, seasoned meat.
- Slide a sausage casing over the end of the Stuffing Funnel, leaving 4-6" (10.2-15.2 cm) of casing off the end of the Stuffing Funnel. Tie a knot in the end of the casing.
- While holding the casing on the Stuffing Funnel with one hand, rotate the Handle clockwise (when facing the Handle side of the Grinder) to move the meat through the Grinder and into the casing. Gently lay the filled casing on a plate as the casing fills.
- Do not fill the last 3-4" (7.6-10.2 cm) of the casing. When finished stuffing, twist and tie the end closed.

FOOD SAFETY

There are basic rules to follow when handling food. They are **COOK, SEPARATE, CLEAN, and CHILL.**

COOK

It's crucial to cook food to a safe internal temperature to destroy bacteria that is present. The safety of hamburgers and other foods made with ground meat has been receiving a lot of attention lately, and with good reason. When meat is ground, the bacteria present on the surface is mixed throughout the ground mixture. If this ground meat is not cooked to at least 160°F to 165°F (71°C to 74°C), bacteria will not be destroyed and there's a good chance you will get sick.

Solid pieces of meat like steaks and chops don't have dangerous bacteria like E. coli on the inside, so they can be served more rare. Still, any beef cut should be cooked to an internal temperature of at least 145°F (63°C) (medium rare). The safe temperature for poultry is 165°F (75°C) and solid cuts of pork should be cooked to 145°F (63°C).

SEPARATE

Foods that will be eaten uncooked and foods that will be cooked before eating **MUST ALWAYS** be separated. Cross-contamination occurs when raw meats or eggs come in contact with foods that will be eaten uncooked. This is a major source of food poisoning. Always double-wrap raw meats and place them on the lowest shelf in the refrigerator so there is no way juices can drip onto fresh produce. Then use the raw meats within 1-2 days of purchase, or freeze for longer storage. Defrost frozen meats in the refrigerator, not on the counter.

When grilling or cooking raw meats or fish, make sure to place the cooked meat on a clean platter. Don't use the same platter you used to carry the food out to the grill. Wash the utensils used in grilling after the food is turned for the last time on the grill, as well as spatulas and spoons used for stir-frying or turning meat as it cooks.

Make sure to wash your hands after handling raw meats or raw eggs. Washing hands with soap and water, or using a pre-moistened antibacterial towelette is absolutely necessary after you have touched raw meat or raw eggs. Not washing hands and surfaces while cooking is a major cause of cross-contamination.

CLEAN

Wash your hands and work surfaces frequently when you are cooking. Washing with soap and warm water for at least 15 seconds, then dry with a paper towel.

CHILL

Chilling food is very important. The danger zone where bacteria multiply is between 40°F and 140°F (4°C and 6°C). Your refrigerator should be set to 40°F (4°C) or below; your freezer should be 0°F (-17°C) or below. Simple rule: serve hot foods hot, cold foods cold. Use chafing dishes or hot plates to keep food hot while serving. Use ice water baths to keep cold foods cold. Never let any food sit at room temperature for more than 2 hours - 1 hour if the ambient temperature is 90°F (32°C) or above. When packing for a picnic, make sure the foods are already chilled when they go into the insulated hamper. The hamper won't chill food - it just keeps food cold when properly packed with ice. Hot cooked foods should be placed in shallow containers and immediately refrigerated so they cool rapidly. Make sure to cover foods after they are cool.

NOTE: Special considerations must be made when using venison or other wild game, since it can become heavily contaminated during field dressing. Venison is often held at temperatures that could potentially allow bacteria to grow, such as when it is being transported. Refer to the USDA Meat and Poultry Department for further questions or information on meat and food safety.

SAUSAGE INFORMATION

MEAT SELECTION FOR SAUSAGE MAKING

Sausage making has evolved over many years and generations, and as a result there are countless types of sausage you can make using the basic ingredients of meat, fat and a few carefully blended spices. Following are a few simple guidelines that will help you make the best tasting sausage possible.

Any type of meat can be used for making sausage: pork, beef, bison, moose and caribou, even antelope make great sausage. It is important when preparing venison or other red game meats to trim all the fat from the meat, as red game tallow will turn rancid in as few as five days. Replace the fat with either pork or beef fat, depending on the type of product you are making, at a ratio of 1 pound (0.5 kg) of fat for every 4 pounds (1.8 kg) of game meat.

The fat content of your sausage will affect the taste, texture, cooking characteristics and shelf life of your product. Most commercially made sausage has a fat content of about 20%. Using less than 12% fat will result in a very dry tasting sausage, while using more than 20% may result in a sticky flavorless sausage that will be difficult to cook.

CURING

It is important to properly cure meats to preserve meat and poultry, and to destroy undesirable microorganisms on the meat surfaces that cause spoilage and foodborne illnesses. There are many steps that help in this process, including smoking, cooking, drying, chilling and the addition of cure ingredients. The oldest means of accomplishing this is by introducing salt into the meat. The resistance of bacteria to salt varies widely among different types of bacteria. The growth of some bacteria is inhibited by salt concentrations as low as 3%, e.g., Salmonella, whereas other types are able to survive in much higher salt concentrations, e.g., Staphylococcus. Fortunately, the growth of many undesirable organisms normally found in cured meat and poultry products is inhibited at low concentrations of salt.

Modern curing is based on Nitrates and is very scientific. Purchase Weston Pink Curing Salt (02-0000-W) and follow the included instructions to ensure that you are properly curing your homemade sausage.

CASING

Weston offers a complete variety of casings. The right choice depends on personal preference as well as the type of sausage you wish to make. For most sausages, your choices are natural or collagen. Don't let the names fool you; collagen casings are not a synthetic. They are made from beef skin and other tissues. Collagen casings are uniform in size and texture and require almost no preparation. "Natural" casings are the intestines of lamb, sheep, hogs or beef. They are less uniform in size and require preparation. There are also fibrous non-edible casings that are most commonly used for summer sausage and ring bologna.

TYPES OF SAUSAGE

Most sausages fall into one of four categories: Fresh, Smoked, Cooked or Dried. All sausages, except dried, require refrigerated storage. There is also a sub-category of uncooked smoked sausages.

Among the fresh and uncooked smoked sausages, you will find such flavors as kielbasa or Polish sausage, Italian sausage, breakfast sausage and many others. Both fresh and uncooked smoked sausages require cooking before eating and also require refrigerated storage.

Smoked and cooked sausages include salami, bologna, the ever-popular hot dogs and many others. Proper smoking requires a smokehouse or smoker. Weston offers Outdoor Propane Smokers in a variety of sizes (41-0701-W, 41-0301-W, or 41-0401-W). Most smoked sausages are warmed before serving. Many people think that a smoked sausage will last much longer without spoilage, but this is not true. Smoked sausages should be treated the same as fresh sausage in terms of storage.

Dried sausages require the longest processing time, as they are air dried over a long period of time. Dry cured sausages include salami, chorizo, pepperoni, among others. The conditions under which the meat is dried are very exacting; temperature, time and humidity must all be carefully monitored for a safe and delicious product.

STORAGE

For the best flavors, we recommend vacuum sealing your fresh sausages, then storing them in the refrigerator (short term) or freezer (long term). Weston manufactures a variety of vacuum sealers. Ask the retailer from which you purchased this unit for their selection. Store dry cured products in paper or other breathable wrapping, unrefrigerated.

ONE-YEAR LIMITED WESTON WARRANTY

This warranty applies to products purchased and used in the U.S. and Canada, which have been properly registered within 30 days of the date of original purchase. This is the only express warranty for this product and is in lieu of any other warranty or condition. This product is warranted to be free from defects in material and workmanship for a period of one (1) year from the date of original purchase. During this period, your exclusive remedy is repair or replacement of this product or any component found to be defective, at our option.

To register your product: complete the online form at www.WestonProducts.com/Warranty.

This warranty does not cover unregistered products, unauthorized repairs or service to products, products sold "as-is" by retailers, glass, filters, wear from normal use, use not in conformity with the printed directions, or damage to the product resulting from accident, alteration, abuse, or misuse. This warranty extends only to the original consumer purchaser or gift recipient and is not transferrable. Keep the original sales receipt, as proof of purchase is required to make a warranty claim. This warranty is void if the product is subjected to any voltage and waveform other than as specified on the rating label (e.g., 120V ~ 60 Hz).

We exclude all claims for special, incidental and consequential damages caused by breach of express or implied warranty. All liability is limited to the amount of the purchase price. Every implied warranty, including any statutory warranty or condition of merchantability or fitness for a particular purpose, is disclaimed except to the extent prohibited by law, in which case such warranty or condition is limited to the duration of this written warranty. This warranty gives you specific legal rights. You may have other legal rights that vary depending on where you live. Some states or provinces do not allow limitations on implied warranties or special, incidental, or consequential damages, so the foregoing limitations may not apply to you.

Before returning the product for any repair or service: it must be clean and free from any food particles or other debris; otherwise, we will return it or impose a \$50 cleaning surcharge, at our option.

To make a warranty claim: go to www.WestonProducts.com/Contact; or call 1.800.814.4895 in the U.S. and 001.440.638.3131 outside the U.S., Monday – Friday, 8 am – 5 pm Eastern. You are responsible for all costs associated with shipping us the product freight prepaid. If the product qualifies for a warranty repair or replacement, we will bear the cost of returning it to you. We are not responsible for shipping damage.

For non-warranty work: call 1.800.814.4895 in the U.S. and 001.216.801.6801 outside the U.S., Monday – Friday, 8 am – 5 pm Eastern, to obtain a Return Merchandise Authorization Number (RMA Number). We will refuse all returns without an RMA Number. We charge US\$35/hour for all diagnostic, service, repair and processing work. We will not start any service or repair work without prior authorization. You are responsible for all costs associated with shipping us the product freight prepaid and our returning it to you.

WESTON

RECONNECT WITH REAL FOOD



MANUAL

PICADORA DE CARNE Y EMBUTIDORA DE SALCHICHAS

36-0801-W / 36-1001-W / 36-2201-W / 36-3201-W

DEBIDO A CONSTANTES MEJORAS EN LA FÁBRICA, EL PRODUCTO QUE SE MUESTRA PUEDE SER LIGERAMENTE DIFERENTE DEL PRODUCTO EN ESTA CAJA. 010716

REGLAS IMPORTANTES DE SEGURIDAD

LEA Y ENTIENDA COMPLETAMENTE TODAS LAS INSTRUCCIONES Y ADVERTENCIAS ANTES DE UTILIZAR ESTA UNIDAD. ¡SU SEGURIDAD ES LO MÁS IMPORTANTE! NO SEGUIR LOS PROCEDIMIENTOS Y PRECAUCIONES PUEDE PROVOCAR LESIONES GRAVES Y DAÑOS MATERIALES. RECUERDE: ¡SU SEGURIDAD PERSONAL ES RESPONSABILIDAD DE USTED!

1. MANTENGA LOS DEDOS ALEJADOS del sinfín y de la placa en todo momento. NUNCA intente tocar un conducto de entrada de la picadora.
2. Es necesaria la supervisión cercana de un adulto cuando se use cualquier aparato cerca de niños. Este aparato NO DEBE ser usado por niños.
3. COMPRUEBE QUE NO HAYA PIEZAS DAÑADAS. Verifique que todas las piezas funcionen correctamente y ejecuten las funciones previstas antes de utilizar la picadora. Compruebe la alineación, la unión y el montaje de las piezas móviles, así como otras condiciones que pudieran afectar el funcionamiento.
4. Si la picadora se atasca, hágala funcionar por un momento en reversa para eliminar el bloqueo.
5. NUNCA introduzca los dedos ni objetos extraños en la abertura de la picadora.
6. RECÓJASE el cabello y la ropa suelta, y remánguese las mangas largas antes de poner la picadora en funcionamiento. QUITESE corbatas, anillos, relojes, pulseras y cualquier otra alhaja antes de poner la picadora en funcionamiento.
7. USE PROTECCIÓN OCULAR. Use gafas de seguridad. Los anteojos de uso diario no son gafas de seguridad. Las gafas de seguridad cumplen con los requisitos de la norma ANSI Z87.1. Nota: Las gafas de seguridad aprobadas tienen un sello o una impresión con el código "Z87".
8. Limpie la carne de coágulos, nervios, tendones, huesos, etc. antes de picarla.
9. NO pique huesos ni ningún otro objeto duro.
10. NO use la picadora bajo los efectos de drogas o alcohol.

¡GUARDE ESTAS INSTRUCCIONES!



LISTA DE COMPONENTES

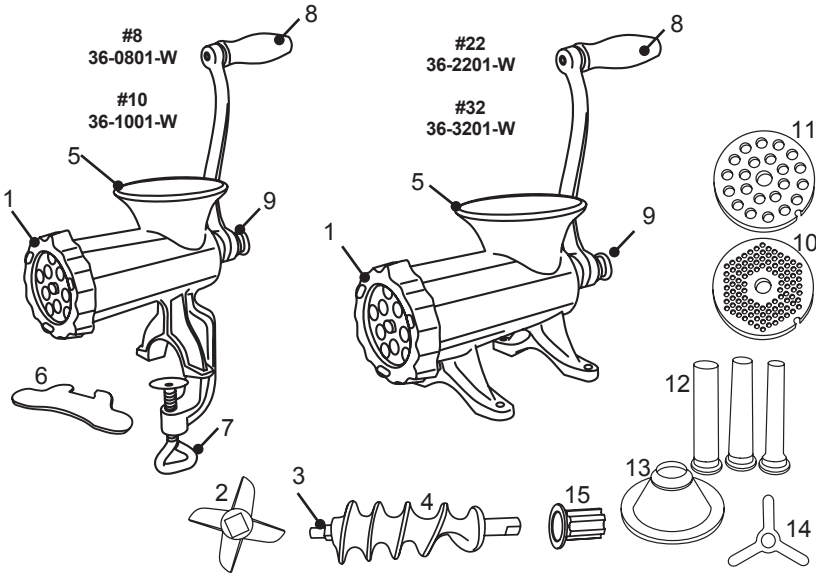
NÚMERO DE DIAGRAMA	DESCRIPCIÓN DE LA PIEZA	NÚMERO DE PIEZA (36-0801-W)	NÚMERO DE PIEZA (36-1001-W)	NÚMERO DE PIEZA (36-2201-W)	NÚMERO DE PIEZA (36-3201-W)
1	ANILLA ROSCADA DELANTERA	36-0802	36-1002	36-2202	36-3202
2	CUCHILLA	36-0803	36-1003	36-2203	36-3203
3	PASADOR DEL SINFIN	36-0804	36-1004	36-2204	36-3204
4	SINFIN	36-0805	36-1005	36-2205	36-3205
5	CUERPO DE LA PICADORA	N/A	N/A	N/A	N/A
6	ALMOHADILLA PROTECTORA	36-0807	36-1007	N/A	N/A
7	TORNILLO DE LA PRENSA	36-0808	36-1008	N/A	N/A
8	MANIVELA	36-0809	36-1009	36-2209	36-3209
9	TORNILLO DE MARIPOSA	36-0810	36-1010	36-2210	36-3210
10	PLACA DE 3/16 PULGADA (4.5 MM)	15-0804	15-1004	15-2204	15-3204
11	PLACA DE 3/8 PULGADA (10 MM)	15-0810	15-1010	15-2210	15-3210
12	3 EMBUDOS PARA EMBUTIR	N/A	N/A	N/A	N/A
13	BRIDA DEL EMBUDO	36-0817	36-1017	36-2217	36-3217
14	ESTRELLA PARA EMBUTIR	N/A	N/A	N/A	N/A
15	RODAMIENTO DEL SINFIN	36-0811	36-1011	36-2211	36-3211

Si cualquier componente de esta unidad está roto, si no funciona debidamente, o si necesita un instructivo de repuesto, visitenos en la Web en

WestonProducts.com

O llame a Weston Brands LLC larga distancia sin costo 1-800-814-4895

De lunes a viernes, de 8:00 am a 5:00 pm tiempo del ET. Fuera de Estados Unidos llame al 001-440-638-3131



NOTA IMPORTANTE PARA ANTES DEL USO

Se aplica un recubrimiento protector a esta unidad antes de su envío. Este recubrimiento protege a la unidad durante el envío y durante su almacenamiento.

Es muy importante limpiar con cuidado la unidad antes de usarla, especialmente en los bordes y las áreas que han sido estañadas o soldadas. Desarme completamente todas las piezas y límpielas cuidadosamente con agua caliente, detergente para vajilla y un paño suave. Enjuague con agua limpia y seque bien. NO use ningún tipo de cepillo duro ni químicos o detergentes abrasivos. (Evite el uso de detergentes o limpiadores que contengan porcentajes elevados de álcalis o ácidos libres).

NO limpie ninguna pieza de esta unidad en un lavavajillas.

Cubra todas las piezas metálicas con una silicona en aerosol apta para uso alimenticio después de limpiar y antes de almacenar.

Asegúrese de guardar la unidad en su caja original, en un lugar fresco y seco.

Haga un pequeño "lote de ensayo" en toda la unidad antes de usarla por primera vez.

INSTRUCCIONES DE LIMPIEZA

· ¡LIMPIE CORRECTAMENTE LA PICADORA ANTES DE UTILIZARLA POR PRIMERA VEZ!

· Desarme la picadora y lave a mano cada una de las piezas con agua tibia con jabón; tome la precaución de eliminar toda la grasa y el aceite de las superficies.

· Seque completamente todas las piezas antes de volver a armar la picadora. NO PERMITA que las piezas se sequen al aire.

· Para prevenir la corrosión, recubra todas las piezas metálicas, incluidas las placas y la cuchilla, con una silicona en aerosol apta para uso alimenticio.

· La picadora NO es apta para lavavajillas.

NOTA ESPECIAL ÚNICAMENTE PARA PICADORAS N.º 32:

Si resulta difícil retirar la anilla roscada delantera, la manivela está diseñada con un pequeño orificio en la parte posterior que permite utilizarla como llave para retirar la anilla roscada delantera únicamente. NO utilice esta característica para apretar la anilla roscada delantera.

¡PRECAUCIÓN! Es importante seguir las Pautas de seguridad alimentaria de este manual. Para conocer las instrucciones actualizadas visite el sitio web del Departamento de Agricultura de Estados Unidos (USDA).

ENSAMBLADO DE LA PICADORA

1. A. Si utiliza una picadora N.º 8 o N.º 10 sujeta con prensa, deslice la almohadilla protectora al pie de la picadora y ajuste el tornillo de la prensa para asegurar la picadora a la superficie de trabajo. Deje suficiente espacio para que la manivela gire.

B. Si utiliza una picadora N.º 22 o N.º 32 sujeta con pernos, el cuerpo de la picadora puede sujetarse a una superficie de trabajo sólida mediante el uso de tornillos de tamaño apropiado. Deje suficiente espacio para que la manivela gire.

2. Deslice el rodamiento plástico de barrena del lado de la brida, primero la cara, sobre el extremo del impulsor de barrena. **FIGURA 1**

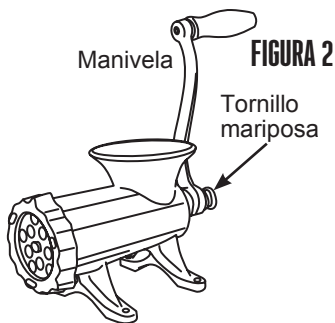
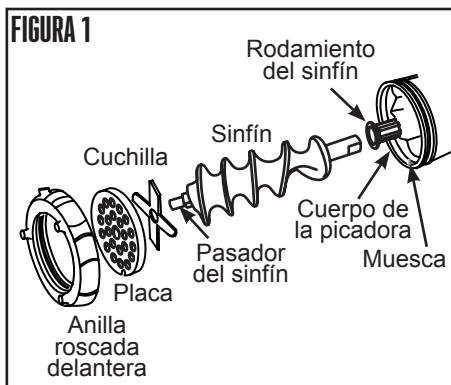
3. Cuidadosamente inserte el rodamiento de barrena y la barrena juntos dentro del cuerpo de la picadora

4. Deslice la cuchilla en la parte cuadrada del pasador del sinfín en la parte delantera del sinfín y asegúrese de que los bordes cortantes de la cuchilla estén orientados hacia fuera.

5. Deslice la placa que desee sobre la parte redonda del pasador del sinfín. Alinee la muesca en la placa con la muesca en el cuerpo de la picadora de modo que la placa se asiente completamente en la apertura del cuerpo de la picadora.

6. Ajuste firmemente la anilla roscada delantera. ¡NO LA APRIETE DEMASIADO! (Si la anilla roscada delantera se aprieta demasiado al cuerpo de la picadora, será difícil girar el sinfín o no se podrá girar.)

7. Deslice la manivela sobre el extremo expuesto del sinfín y asegúrelo en su lugar con el tornillo mariposa. **FIGURA 2**



ENSAMBLADO DE LA EMBUTIDORA

1. A. Si utiliza una picadora N.º 8 o N.º 10 sujeta con prensa, deslice la almohadilla protectora al pie de la picadora y ajuste el tornillo de la prensa para asegurar la picadora a la superficie de trabajo. Deje suficiente espacio para que la manivela gire.

B. Si utiliza una picadora N.º 22 o N.º 32 sujeta con pernos, el cuerpo de la picadora puede sujetarse a una superficie de trabajo sólido mediante el uso de tornillos de tamaño apropiado. Deje suficiente espacio para que la manivela gire.

2. Inserte el rodamiento del sinfín en el cuerpo de la picadora a través del orificio de la pieza posterior de la picadora. **FIGURA 3**

3. Gire el sinfín mientras lo inserta para asentarlos por completo dentro del cuerpo de la picadora.

4. Deslice la estrella para embutir sobre la pieza redonda del pasador del sinfín.

5. Sujete la brida para embutir al embudo que se utilizará. Deslice el embudo para embutir a través de la anilla roscada delantera.

6. Ajuste firmemente la anilla delantera. ¡NO LA APRIETE DEMASIADO! (Si la anilla roscada delantera se aprieta demasiado al cuerpo de la picadora, será difícil girar el sinfín o no se podrá girar.)

7. Deslice la manivela sobre el extremo expuesto del sinfín y asegúrelo en su lugar con el tornillo mariposa. **FIGURA 4**

FIGURA 3

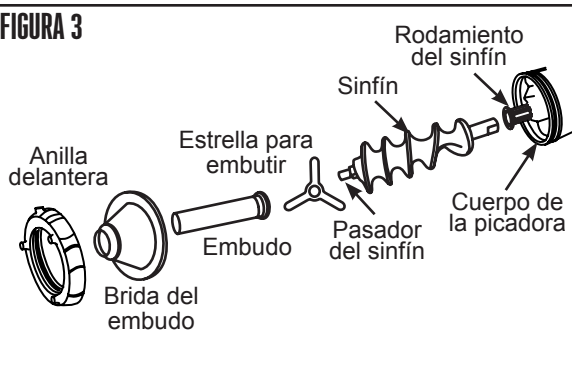
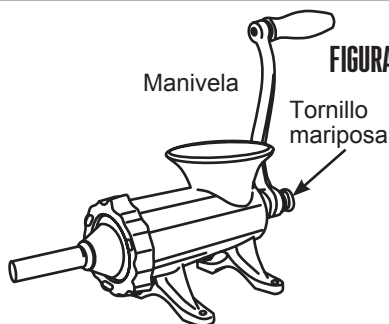


FIGURA 4



INSTRUCCIONES PARA PICAR

- Limpie la carne de coágulos, nervios, tendones, huesos, etc. **NUNCA** pique huesos u otros objetos duros.
- Para obtener los mejores resultados asegúrese de que la carne se haya enfriado a una temperatura de 32 a 34 °F (0 a 1 °C) antes de picarla. **NO** permita que la carne quede a temperatura ambiente durante más tiempo que el necesario. Siga las Pautas de seguridad alimentaria tal como se indican.
- Corte la carne en trozos lo suficientemente pequeños para que pasen por la picadora. Cubos de aproximadamente 1 pulgada (2.5 cm).
- Al introducir los trozos de carne en la picadora, gire la manivela en sentido de las manecillas del reloj (mirando la picadora del lado de la manivela). Asegúrese de tener algo para recibir la carne al salir de la picadora.
- Si por algún motivo la picadora se atasca o resulta difícil girar, gire la manivela en sentido contrario a las agujas del reloj para aflojar la obstrucción y luego continúe picando. Si esto no libera el atascamiento, retire la anilla delantera, la placa, la cuchilla y el sinfín para eliminar la obstrucción.

INSTRUCCIONES PARA EMBUTIR

- Para obtener los mejores resultados al embutir, se recomienda que dos personas realicen esta operación.
- Llene la tolva de la picadora con carne sazonada, previamente picada.
- Deslice la tripa para salchicha sobre el extremo del embudo para embutir, dejando 4 a 6 pulgadas (10.2 a 15.2 cm) de tripa libre en el extremo del embudo para embutir. Ate un nudo en el extremo de la tripa.
- Mientras sostiene la tripa en el embudo para embutir con una mano, gire la manivela en sentido de las agujas del reloj (mirando la picadora del lado de la manivela) para mover la carne a través de la picadora e introducirla a la tripa. Suavemente coloque la tripa llena sobre un plato al irse llenando la tripa.
- No llene las últimas 3 a 4 pulgadas (7.6 a 10.2 cm) de la tripa. Cuando termine de embutir, gire y amarre el extremo para cerrarlo.

SEGURIDAD DE LOS ALIMENTOS

Hay que seguir ciertas reglas básicas al manejar alimentos. Las reglas son **COCINAR, SEPARAR, LIMPIAR** y **ENFRIAR**.

COCINAR

Es muy importante cocinar los alimentos a una temperatura interna que destruya cualquier bacteria que esté presente. Últimamente se ha puesto mucha atención en la higiene de las hamburguesas y otros alimentos elaborados con carne molida y con razón. Cuando se muele la carne, las bacterias presentes en la superficie se revuelven en toda la mezcla de la carne molida. Si la carne molida no se cuece a por lo menos 71 °C a 74 °C (160 °F - 165 °F), no se destruyen las bacterias y hay una buena posibilidad de enfermarse.

Las piezas de carne sólida, como los filetes y las chuletas, no tienen en su interior bacterias peligrosas como le E. coli, por lo que pueden servirse menos cocidas. Aun así, cualquier corte de vacuno debe cocinarse a una temperatura interna de por lo menos 63 °C (145 °F) (medio cocido). La temperatura recomendable para las aves es de 75 °C (165 °F) y los cortes sólidos de carne de puerco deben cocinarse a 71 °C (160 °F).

SEPARAR

SIEMPRE DEBE separar los alimentos que se comen crudos y los que se vayan a cocer antes de comerse. La contaminación cruzada se presenta cuando la carne o los huevos crudos entran en contacto con alimentos que se van a consumir sin cocimiento. Ésta es una importante causa de intoxicaciones. Siempre use una doble envoltura para la carne cruda y colóquela en la repisa más baja del refrigerador, para que no haya manera de que su jugo gotee en las verduras frescas. Use la carne cruda 1 o 2 días después de comprarla, o congélela para guardarla más tiempo. Descongele la carne congelada en el refrigerador, no en el mesón de la cocina.

Cuando ase o cocine carne o pescado crudo, coloque la carne ya cocida en un platón limpio. No use el mismo platón que usó para llevar la carne al asador. Lave los utensilios usados en el asador después de haber volteado los alimentos por última vez, así como las cucharas y espátulas usadas para freír o para voltear la carne al estarla cocinando.

No olvide lavarse las manos después de manejar carne o huevos crudos. Es absolutamente necesario lavarse las manos con agua y jabón o usar una toallita húmeda antibacteriana después de tocar carne o huevos crudos. No lavarse las manos o las superficies cuando se cocina es una causa importante de contaminación cruzada.

LIMPIAR

Lávese las manos y las superficies de trabajo con frecuencia mientras esté cocinando. Lávese con agua tibia y jabón durante por lo menos 15 segundos; después séquese con una toalla de papel.

ENFRIAR

Es muy importante enfriar los alimentos. La zona de peligro para la multiplicación de bacterias está entre los 4 °C y 60 °C (40 °F - 140 °F). El refrigerador debe estar a 4 °C (40 °F) o menos; el congelador debe estar a -17 °C (0 °F) o menos. Regla básica: sirva calientes los alimentos calientes y sirva fríos los alimentos fríos. Use platos calientes para mantener caliente la comida a la hora de servirla. Use baños de agua con hielo para mantener fría la comida fría. Nunca deje ningún alimento a temperatura ambiente por más de 2 horas; o por más de 1 hora si la temperatura ambiente es de 32 °C (90 °F) o superior. Cuando empaque para un picnic, asegúrese de que la comida ya esté fría cuando la meta en la canasta aislada. La canasta no enfría la comida; sólo la mantiene fría si está debidamente empacada con hielo. Los alimentos cocidos calientes deben colocarse en recipientes bajos y refrigerarse de inmediato para que se enfríen rápidamente. No olvide cubrir los alimentos una vez que se enfríen.

NOTA: Debe tener especial consideración al usar venado y otra carne de caza, ya que puede contaminarse durante la preparación de campo. El venado suele mantenerse a temperaturas que podrían permitir el crecimiento de bacterias, como cuando se transporta. Consulte con el Departamento de Carnes y Aves de la USDA si tiene más preguntas o quiere más información sobre higiene de carne y alimentos.

INFORMACIÓN DE LA SALCHICHA

SELECCIÓN DE CARNE PARA HACER SALCHICHAS

La elaboración de salchichas ha evolucionado a lo largo de muchos años y generaciones, y como resultado, hay un sinnúmero de tipos de salchichas que puede hacer usando los ingredientes básicos como carne, grasa y algunas especias cuidadosamente combinadas. A continuación se presentan algunos lineamientos sencillos que le ayudarán a elaborar salchichas con el mejor sabor posible.

Se puede utilizar cualquier tipo de carne para elaborar embutidos: carne de cerdo, de res, de bisontes, de alces y de caribúes, incluso con la de antílope se hacen excelentes salchichas. En la preparación de la carne de venado o de otras carnes rojas de caza es importante quitar toda la grasa de la carne, ya que el sebo de la carne roja de caza se vuelve rancio en tan sólo cinco días. Reemplace la grasa, con grasa de cerdo o de vaca, dependiendo del tipo de producto que esté elaborando, en una proporción de 0.5 kg (1 lb) de grasa por cada 1.8 kg (4 lb) de carne de caza.

El contenido de grasa de la salchicha afectará el sabor, la textura, las características de cocción y la vida útil de su producto. La mayoría de las salchichas comerciales tienen un contenido de grasa de alrededor del 20%. El uso de menos de 12% de grasa dará lugar a una salchicha muy seca a la degustación, mientras que con más del 20% puede dar como resultado una salchicha sin sabor y pegajosa que será difícil de cocinar.

CURADO

Es importante curar adecuadamente las carnes para conservarlas, y destruir los microorganismos indeseables en las superficies de la carne que causan su descomposición así como enfermedades derivadas de ésta. Hay muchas medidas que son de ayuda en este proceso, como el ahumado, la cocción, el secado, la refrigeración, y la adición de ingredientes para curado. Los medios más antiguos para lograr esto eran mediante la introducción de la sal en la carne. La resistencia de las bacterias a la sal varía ampliamente entre los diferentes tipos de bacterias. El crecimiento de algunas bacterias se inhibe por concentraciones de sal tan bajas como el 3% en por ejemplo la Salmonela, mientras que otros tipos son capaces de sobrevivir en concentraciones mucho más altas de sal, por ejemplo el estafilococo. Afortunadamente, el crecimiento de muchos organismos no deseados que normalmente se encuentran en los productos de carne y de aves de corral curadas se inhibe a concentraciones bajas de sal. El curado moderno se basa en nitratos y es muy científico. Adquiera Sal rosa para curar Weston (02-0000-W) y siga las instrucciones para asegurar que está curando adecuadamente su salchicha casera.

FORRO

Weston ofrece una variedad completa de envoltorios. La elección correcta depende de su la preferencia personal, así como del tipo de salchicha que desea elaborar. Para la mayoría de las salchichas, sus opciones son naturales o de colágeno. No deje que los nombres le engañen; los forros de colágeno no son un producto sintético. Están hechos de piel de res y otros tejidos. Los forros de colágeno son uniformes en tamaño y textura y casi no requieren preparación. Los forros "naturales" son los intestinos de cordero, de ovejas, de cerdos o de res. Son menos uniformes en tamaño y requieren una preparación. También hay forros fibrosos no comestibles que se utilizan para algunas variedades de salchichas y mortadelas ahumadas. También hay envoltorios fibrosos no comestibles que son usados más comúnmente para salchichón y bolonia

TIPOS DE SALCHICHAS

La mayoría de las salchichas caen dentro de una de cuatro categorías: Frescas, ahumadas, cocidas o secas. Todas las salchichas, excepto las secas, requieren ser refrigeradas para su almacenamiento. También hay una subcategoría de salchichas ahumadas crudas.

Entre las salchichas ahumadas frescas y las crudas, encontrará sabores como kielbasa o salchicha polaca, salchicha italiana, salchichas para desayuno y muchos otros. Las salchichas ahumadas frescas y crudas requieren cocción antes de comerse y también requieren de almacenamiento refrigerado.

Las salchichas ahumadas y las cocidas incluyen al salami, a la mortadela, a los siempre populares perros calientes y a muchas otras. El ahumado adecuado requiere un ahumadero o un ahumador. Weston ofrece ahumadores de propano para estar al aire libre en varios tamaños (41-0701-W, 41-0301-W, o 41-0401-W). La mayoría de las salchichas ahumadas se calientan antes de servir. Muchas personas piensan que una salchicha ahumada va a durar mucho más tiempo sin echarse a perder, pero esto no es cierto. Las salchichas ahumadas deben ser tratadas de la misma manera que las salchichas frescas en cuanto al almacenamiento. Las salchichas secas requieren un tiempo de procesamiento más largo, ya que se secan al aire durante un largo período de tiempo. Las salchichas curadas en seco incluyen salami, chorizo y pepperoni, entre otras. Las condiciones en las que se seca la carne son muy exigentes; la temperatura, el tiempo y la humedad deben ser monitoreados cuidadosamente para obtener un producto seguro y delicioso.

ALMACENAMIENTO

Recomendamos sellar al vacío sus salchichas frescas, luego almacenarlas en el refrigerador (por corto tiempo) o en el congelador (por largo tiempo) para obtener el mejor sabor. Weston fabrica diversas selladoras al vacío. Pida su selección al vendedor donde compró esta unidad. Almacene los productos curados secos y sin refrigerar en papel u otra envoltura transpirable.

UN AÑO DE GARANTÍA WESTON LIMITADA

Esta garantía aplica a los productos que se compran y usan en los EE. UU. y Canadá, y que se registraron adecuadamente dentro de 30 días de la fecha de compra original. Esta es la única garantía expresa para este producto y reemplaza cualquier otra garantía o condición. Este producto está garantizado contra defectos materiales y de fabricación por un período de un (1) año a partir de la fecha de compra original. Durante este período, su único recurso es la reparación o sustitución de este producto o de cualquier componente que se encuentre defectuoso, a nuestra elección.

Para registrar su producto, complete el formulario en línea en www.WestonProducts.com/Warranty

Esta garantía no cubre productos no registrados, reparaciones o servicios a productos no autorizados, productos vendidos "tal cual" por minoristas, vidrio, filtros, desgaste por uso normal, uso que no sea conforme a las instrucciones impresas o daño al producto como resultado de un accidente, alteración, abuso o mal uso. Esta garantía se extiende únicamente al comprador consumidor original o quien reciba el producto como regalo y no es transferible. Guarde el recibo de compra original ya que se requiere de un comprobante de compra para hacer un reclamo de garantía. Esta garantía es nula si el producto es sujeto a cualquier voltaje u forma de onda que no sea la que se indica en la etiqueta de especificaciones (p. ej., 120 V ~ 60 Hz).

Excluimos todo reclamo por daños especiales, incidentales o que resulten como consecuencia del incumplimiento de la garantía expresa o implícita. Toda responsabilidad se limita al monto del precio de compra. Toda garantía implícita, incluyendo cualquier garantía legal o condición de comerciabilidad o aptitud para un propósito en particular, se niega excepto en la medida que lo prohíbe la ley, en cuyo caso dicha garantía o condición se limita a la duración de esta garantía por escrito. Esta garantía le otorga derechos legales específicos. Puede tener otros derechos legales que varían según donde vive. Algunos estados o provincias no permiten limitantes en garantías implícitas o daños especiales, incidentales o consecuentes, por lo tanto, es posible que las limitaciones mencionadas anteriormente no apliquen para usted.

Antes de devolver el producto para cualquier reparación o servicio: debe estar limpio y libre de partículas de alimentos u otra suciedad; de otra manera, se le devolverá o aplicará un cargo de 50 USD por limpieza, a nuestra elección.

Para reclamar una garantía, visite www.WestonProducts.com/Contact o llame al 1.800.814.4895 en los EE. UU. o al 001.440.638.3131 fuera de los EE. UU., de lunes a viernes de 8 a. m. a 5 p. m. hora del este. Usted es responsable de todos los costos asociados con enviarnos el producto con el flete prepagado.

Si el producto califica para una reparación o un reemplazo bajo garantía, asumiremos el costo de devolverle el producto. No somos responsables por los daños resultantes del envío.

Para trabajo fuera de garantía: llame al 1.800.814.4895 dentro de los EE. UU. o al 001.216.801.6801 fuera de los EE. UU., de lunes a viernes de 8 a. m. a 5 p. m. hora del Este, para obtener un número de autorización de devolución de mercancía (Return Merchandise Authorization, RMA). Rechazaremos toda devolución sin número de RMA. Aplicaremos un cargo de 35 USD/hora por todo trabajo de diagnóstico, servicio, reparación o procesamiento. No iniciaremos ningún servicio o trabajo de reparación sin autorización previa. Usted es responsable de todos los costos asociados con enviarnos el producto con el flete prepagado y con nuestra devolución hacia usted.

WESTON

RECONNECT WITH REAL FOOD



HACHE-VIANDE

POUSSOIR À SAUCISSES MANUEL

36-0801-W / 36-1001-W / 36-2201-W / 36-3201-W

PARCE QUE NOS PRODUITS BÉNÉFICIENT DE PERFECTIONNEMENTS CONSTANTS APPORTÉS EN USINE, LES ILLUSTRATIONS PRÉSENTES PEUVENT ÊTRE LÉGÈREMENT DIFFÉRENTES DU PRODUIT REÇU. 010716

IMPORTANTES RÈGLES DE SÉCURITÉ

LIRE ET COMPRENDRE COMPLÈTEMENT TOUTES LES DIRECTIVES ET AVERTISSEMENTS AVANT D'UTILISER CE PRODUIT. LE PLUS IMPORTANT EST VOTRE SÉCURITÉ! LE DÉFAUT D'OBSERVER LES PROCÉDURES ET MISES EN GARDE PEUT ENTRAÎNER DES BLESSURES GRAVES OU DES DOMMAGES MATÉRIELS. N'OUBLIEZ PAS : VOTRE SÉCURITÉ PERSONNELLE EST VOTRE RESPONSABILITÉ!

1. GARDER LES DOIGTS ÉLOIGNÉS de la Vis sans fin et des Lames de coupe À TOUS MOMENTS. NE JAMAIS INTRODUIRE LA MAIN DANS LE HACHOIR, le faire peut causer des blessures graves. TOUJOURS UTILISER LE POUSSOIR FOURNI, NE JAMAIS INTRODUIRE LES ALIMENTS À LA MAIN.
2. La surveillance attentive d'un adulte est nécessaire quand tout appareil est utilisé à proximité d'enfants. Cet appareil ne doit PAS être utilisé par des enfants.
3. VÉRIFICATION DES PIÈCES. Avant d'utiliser le hachoir, s'assurer que ses pièces fonctionnent bien, et conformément à leur emploi défini. Vérifier les fixations et l'alignement des pièces mobiles. Regarder s'il n'y a aucun grippage qui pourrait nuire au bon fonctionnement de l'appareil.
4. En cas de blocage du hachoir, tourner brièvement la manivelle en sens inverse pour le débloquer.
5. NE JAMAIS insérer les doigts, ni des corps étrangers dans le hachoir.
6. ATTACHEZ EN ARRIÈRE les cheveux détachés et les vêtements lâches, et rouler les longues manches avant de se servir du Hachoir. ENLEVER cravates, bagues, montres, bracelets, ou autres bijoux avant de se servir du Hachoir.
7. PORTEZ UNE PROTECTION POUR LES YEUX. Portez des lunettes de sécurité. Des lunettes de tous les jours ne sont pas des lunettes de sécurité. Des lunettes de sécurité sont conformément aux exigences ANSI Z87.1. Note : des lunettes de sécurité approuvées sont marquées ou timbrées avec le code « Z87 ».
8. Parer la viande avant de la hacher (caillots, parties nerveuses, tendons, os, etc.).
9. NE PAS tenter de broyer des os ou autres produits durs.
10. NE PAS utiliser le Hachoir tout en étant sous l'influence de drogues, médicaments ou alcool.

CONSERVER CES DIRECTIVES!



DESCRIPTION DE LA PIÈCE

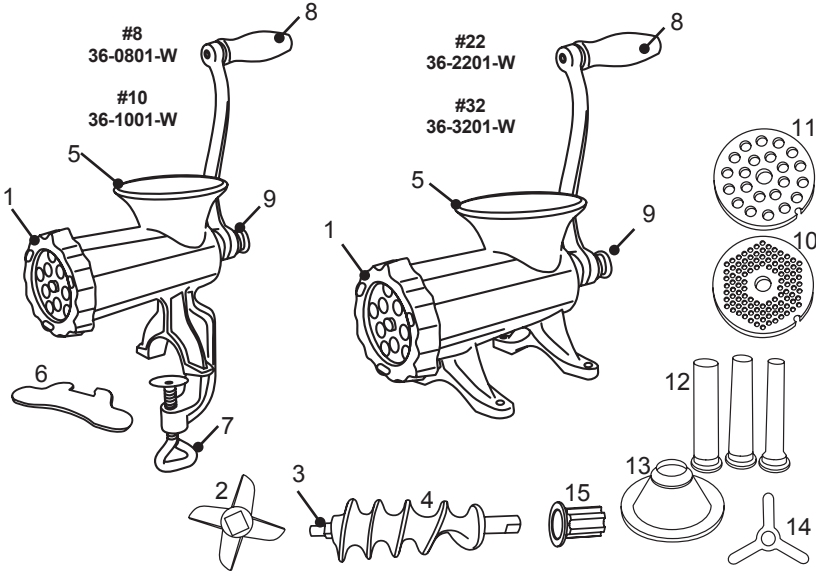
NUMÉRO DE SCHEMA	DESCRIPTION DE LA PIÈCE	NUMÉRO DE LA PIÈCE (36-0801-W)	NUMÉRO DE LA PIÈCE (36-1001-W)	NUMÉRO DE LA PIÈCE (36-2201-W)	NUMÉRO DE LA PIÈCE (36-3201-W)
1	ÉCROU AVANT	36-0802	36-1002	36-2202	36-3202
2	COUPEAU	36-0803	36-1003	36-2203	36-3203
3	AXE DE LA VIS SANS FIN	36-0804	36-1004	36-2204	36-3204
4	VIS SANS FIN	36-0805	36-1005	36-2205	36-3205
5	CORPS DU HACHOIR	N/A	N/A	N/A	N/A
6	PROTECTEUR	36-0807	36-1007	N/A	N/A
7	FIXATION SERRE-JOINT	36-0808	36-1008	N/A	N/A
8	MANIVELLE	36-0809	36-1009	36-2209	36-3209
9	VIS À OREILLES	36-0810	36-1010	36-2210	36-3210
10	3/16" (4.5MM) GRILLE	15-0804	15-1004	15-2204	15-3204
11	3/8" (10MM) GRILLE	15-0810	15-1010	15-2210	15-3210
12	3 ENTONNOIRS À SAUCISSES	N/A	N/A	N/A	N/A
13	COLLET À FARCE	36-0817	36-1017	36-2217	36-3217
14	ÉTOILE À FARCER	N/A	N/A	N/A	N/A
15	PALIER DE LA VIS SANS FIN	36-0811	36-1011	36-2211	36-3211

N'hésitez pas à visiter notre site Web.WestonProduct.com/support si un composant est cassé, l'outil fonctionne mal, ou pour commander un nouveau mode d'emploi.

WestonProducts.com

Veuillez appeler Weston Brands, LLC au numéro sans frais : 1-800-814-4895

Du lundi au vendredi: de 8h00 à 17h00 ET. En dehors des États-Unis, veuillez



REMARQUE IMPORTANTE – LIRE AVANT UTILISATION!

Cet appareil a été recouvert d'un revêtement protecteur avant l'expédition. Ce revêtement protège l'appareil pendant l'expédition et pendant sa durée de vie.

Il est très important de nettoyer l'appareil à fond avant de l'utiliser, en particulier près des rebords et dans les endroits où du brasage ou de la soudure a été effectué. Démonter complètement l'appareil et nettoyer toutes les pièces avec de l'eau chaude, du détergent à vaisselle et un chiffon doux. Rincer à l'eau claire, puis sécher complètement. NE PAS utiliser de brosses dures ou de produits chimiques ou de détergents abrasifs. (Éviter d'utiliser des détergents ou des nettoyants contenant une forte concentration d'alcalis libres ou d'acides libres.)

NE PAS laver les pièces de cet appareil au lave-vaisselle.

Après le nettoyage et avant l'entreposage, vaporiser toutes les pièces en métal avec de la silicone de qualité alimentaire.

Toujours entreposer l'appareil dans sa boîte d'origine dans un endroit frais et sec.

Effectuer un « essai initial » avant la première utilisation de l'appareil.

INSTRUCTIONS DE NETTOYAGE

. NETTOYER PROPREMENT LE HACHOIR AVANT SA TOUTE PREMIÈRE UTILISATION !

. Démonter le hachoir. Laver soigneusement à la main chaque pièce dans de l'eau chaude savonneuse (en particulier, veiller à éliminer la graisse et l'huile sur les surfaces).

. Rincer, puis sécher à fond toutes les pièces avant d'assembler le hachoir. NE PAS LAISSER les pièces sécher à l'air.

. Vaporiser sur les pièces métalliques, notamment les grilles et le couteau, de la silicone alimentaire pour les protéger contre la corrosion.

. Le hachoir n'est PAS lavable au lave-vaisselle.

NOTE SPÉCIALE, HACHOIRS NO 32 UNIQUEMENT : La manivelle est munie d'un petit trou, percé à l'arrière, permettant de s'en servir comme clé et de dévisser un écrou avant récalcitrant. NE PAS utiliser cette clé pour serrer l'écrou avant.

ATTENTION! Il est important de suivre les directives sur la « sécurité alimentaire » fournies dans ce manuel. Pour obtenir les instructions les plus récentes, visiter le site Web d'USDA.

MISE EN PLACE DU HACHOIR

1. A. Modèles no 8 et 10 avec serre-joint : Glisser le protecteur sur le pied du hachoir, puis visser le serre-joint pour fixer le hachoir au plan de travail. Prévoir un dégagement suffisant pour la rotation de la manivelle.

B. Modèles à visser no 22 et 32 : Le corps du hachoir peut être vissé sur un plan solide de travail avec des vis de grosseur appropriée. Prévoir un dégagement suffisant pour la rotation de la manivelle.

2. Glissez l'extrémité de la bride de palier de la vis sans fin en plastique, tête première, sur l'extrémité du mandrin de la vis sans fin. **FIGURE 1**

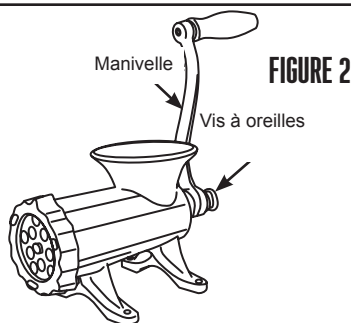
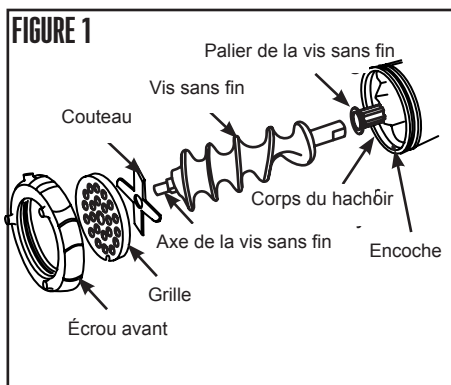
3. Insérez soigneusement le palier de la vis sans fin et la vis sans fin à l'intérieur du corps du hachoir

4. Glisser le couteau, les lames tournées vers l'extérieur, sur la partie carrée de l'axe, à l'avant de la vis sans fin.

5. Enfiler la grille choisie sur l'embout rond de l'axe. Pour bien apposer la grille sur le corps du hachoir, aligner son encoche à celle sur le corps.

6. Serrer à bloc, à la main, l'écrou avant. **NE PAS FORCER !** (Si l'écrou est trop serré sur le corps du hachoir, la vis sans fin tournera difficilement ou pas du tout.

7. Glisser la manivelle sur l'embout à découvert de la vis sans fin, puis serrer la vis à oreilles. **FIGURE 2**



CONFECTION DE SAUCISSES

1. A. Modèles no 8 et 10 avec serre-joint : Glisser le protecteur sur le pied du hachoir, puis visser le serre-joint pour fixer le hachoir à la surface de travail. Prévoir un dégagement suffisant pour la rotation de la manivelle.

B. Modèles à visser no 22 et 32 : Le corps du hachoir peut être vissé sur un plan solide de travail avec des vis de grosseur appropriée. Prévoir un dégagement suffisant pour la rotation de la manivelle.

2. Insérer le palier de la vis sans fin dans le trou arrière du corps du hachoir .
FIGURE 3

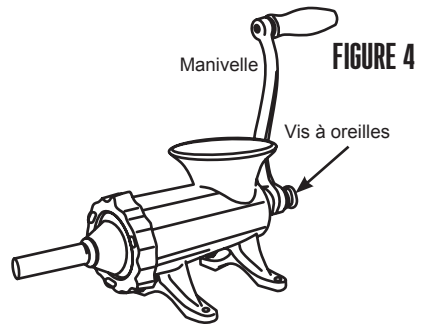
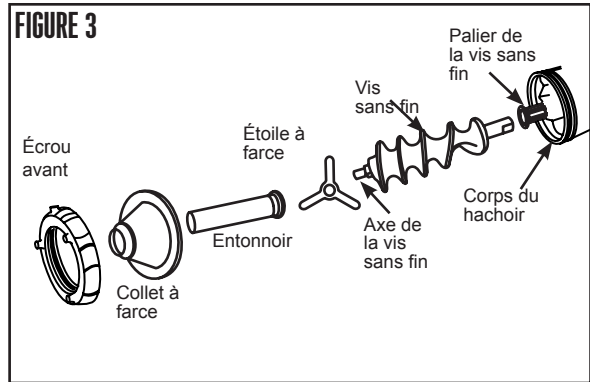
3. Tourner la vis sans fin à bloc dans le corps du hachoir.

4. Enfiler l'étoile à farce sur l'embout rond de l'axe de la vis sans fin.

5. Joindre le collet à farce à l'entonnoir souhaité, puis enfiler l'ensemble dans l'écrou avant.

6. Serrer à bloc, à la main, l'écrou avant. **NE PAS !** (Si l'écrou est trop serré sur le corps du hachoir, la vis sans fin tournera difficilement ou pas du tout.

7. Glisser la manivelle sur l'embout à découvert de la vis sans fin, puis serrer la vis à oreilles. **FIGURE 4**



INSTRUCTIONS DE HACHAGE

. Enlever les cordons, tendons, os, balle, etc. de la viande. Parer la viande avant de la hacher (caillots, parties nerveuses, tendons, os, etc.).

. Pour de meilleurs résultats, s'assurer que toute la viande a été mise à refroidir rapidement entre 0 et 1 °C (32-34°F) avant de l'hacher. **NE PAS LAISSER DE LA VIANDE À TEMPÉRATURE AMBIANTE PLUS LONGTEMPS QU'IL NE SOIT ABSOLUMENT NÉCESSAIRE.** Suivre de près les directives "Sécurité des aliments" (Food Safety) définies par l'USDA.

. Couper la viande en morceaux de taille suffisamment petite pour aller dans la Trémie. Des cubes d'environ 2,5 cm (1 po).

. Verser des morceaux de viande dans la trémie et tourner la manivelle dans le sens des aiguilles d'une montre (lorsque l'on fait face à la manivelle). Penser à placer un récipient pour recueillir la viande hachée.

. En cas d'arrêt ou de grippage éventuels de la manivelle, tourner celle-ci en sens contraire pour débloquer le hachoir, puis poursuivre le hachage. Si le hachoir est toujours bloqué, dévisser l'écrou, retirer la grille, le couteau et la vis sans fin pour éliminer l'obstruction.

CONFECTION DE SAUCISSES

. Pour obtenir les meilleurs résultats, la confection des saucisses devrait être réalisée par deux personnes.

. Remplir la trémie du hachoir avec de la viande hachée et assaisonnée.

. Glisser un boyau sur l'entonnoir, en laissant pendre 10,2 à 15,2 cm (4-6 po) de boyau. Nouer l'extrémité du boyau.

. Tout en maintenant d'une main le boyau sur l'entonnoir, tourner la manivelle dans le sens des aiguilles d'une montre (lorsque l'on fait face à la manivelle) pour amener la viande hachée dans le boyau. Étendre délicatement le boyau sur une assiette au fur et à mesure de son remplissage.

. Ne pas remplir les derniers 7,6 à 10,2 cm (3-4 po) du boyau. Une fois la saucisse confectionnée, tordre et nouer son extrémité.

SÉCURITÉ ALIMENTAIRE

Il y a des règles fondamentales à suivre lors de la manipulation d'aliments. Elles sont **CUIRE**, **SÉPARER**, **NETTOYER**, et **REFROIDIR RAPIDEMENT**.

CUIRE

Il est crucial de cuire les aliments à une température interne sûre pour détruire les bactéries qui sont présentes. La sécurité des hamburgers et autres aliments faits avec de la viande hachée a reçu dernièrement beaucoup d'attention, et pour une bonne raison. Quand la viande est hachée, les bactéries présentes sur la surface sont mélangées dans l'ensemble du mélange haché. Si cette viande hachée n'est pas cuite jusqu'à au moins 71oC à 74oC (160oF à 165oF), les bactéries ne seront pas détruites et il y a une forte chance que cela vous rendra malade.

Des morceaux solides de viande comme des steaks et côtelettes n'ont pas de bactéries dangereuses comme E. coli à l'intérieur, donc ils peuvent être servis plus saignants. Quand même, tout morceau de bœuf doit être cuit à une température interne d'au moins 63oC (145oF) (mi-saignant). La température sûre pour la volaille est 75oC (165oF) et les morceaux de viande entier de porc doivent être cuits à 71oC (160oF).

SÉPARER

Les aliments qui seront mangés crus et les aliments qui seront cuits avant d'être mangés **DOIVENT TOUJOURS** être séparés. La contamination croisée se produit quand des viandes crues ou des œufs viennent en contact avec des aliments qui seront mangés crus. Ceci est une source principale d'intoxication alimentaire. Enveloppez toujours deux fois les viandes crues et placez-les sur l'étagère la plus basse dans le réfrigérateur de manière qu'aucun jus ne puisse goûter sur les fruits et légumes crus. Puis utilisez les viandes crues entre 1 et 2 jours après l'achat, ou congélez-les pour les conserver plus longtemps. Décongelez les viandes congelées dans le réfrigérateur, pas sur le comptoir.

Quand vous grillez ou cuisez des viandes ou des poissons crus, assurez-vous de mettre la viande cuite sur un plat propre. N'utilisez pas le même plat que vous avez utilisé pour transporter les aliments avant de les mettre sur le grill. Lavez les ustensiles utilisés pour griller après que les aliments sont tournés pour la dernière fois sur le grill, aussi bien que les spatules et cuillers utilisées pour faire sauter à feu vif en remuant ou pour tourner la viande au fur et à mesure qu'elle cuit.

Assurez-vous de bien laver vos mains après avoir manipulé des viandes crues ou des œufs crus. Se laver les mains avec du savon et de l'eau, ou utiliser une lingette antibactérienne pré-humidifiée est absolument nécessaire après avoir touché de la viande crue ou des œufs crus. Ne pas se laver les mains et les surfaces pendant la cuisine est une cause majeure de contamination croisée.

NETTOYER

Lavez fréquemment vos mains et les surfaces de travail lorsque vous cuisinez. Lavez avec du savon et de l'eau chaude pendant au moins 15 seconds, puis séchez avec une serviette en papier.

REFROIDIR RAPIDEMENT

La réfrigération rapide des aliments est très importante. La zone de danger où les bactéries se multiplient est entre 4oC et 60oC (40oF et 140oF). Votre réfrigérateur doit être réglé à 4oC (40oF) ou en-dessous; votre congélateur doit être à -17oC (0oF) ou en-dessous. Une règle simple : servir chaud les aliments chauds, servir froid les aliments froids. Utilisez des réchauds ou plaques chauffantes pour garder les aliments chauds pendant le service. Utilisez des bains d'eau glacée pour garder au froid les aliments froids. Ne jamais laisser des aliments à la température ambiante pendant plus de deux (2) heures - 1 heure si la température ambiante est 32oC (90oF) ou au-dessus. Lorsque vous emballez les aliments pour un pique-nique, assurez-vous que les aliments sont déjà refroidis rapidement lorsqu'ils sont mis dans le panier à pique-nique isotherme. Le panier à pique-nique ne refroidira pas les aliments – il garde simplement les aliments froids lorsqu'il est emballé correctement avec de la glace. Les aliments cuits chauds doivent être placés dans des conteneurs peu profonds et immédiatement réfrigérés pour qu'ils se refroidissent rapidement. Assurez-vous de bien couvrir les aliments après qu'ils sont froids.

REMARQUE : Des considérations particulières doivent être prises lors de l'utilisation de venaison ou d'autre gibier sauvage, puisqu'ils peuvent devenir très contaminés durant l'opération de dépouille. La venaison est souvent gardée à des températures qui pourraient potentiellement permettre la croissance de bactéries, tel que lorsque celle-ci est transportée. Se référer au Département de la viande et de la volaille de l'USDA (USDA Meat and Poultry Department) pour d'autres questions ou informations sur la sécurité de la viande et des aliments.

INFORMATIONS SUR LES SAUCISSES

CHOIX DE VIANDE POUR LA FABRICATION DE SAUCISSE

La fabrication de saucisse s'est développée au cours des nombreuses années et générations, et il en résulte qu'un nombre incalculable de type de saucisses peuvent être fabriquées en utilisant les ingrédients de base de la viande, matière grasse et quelques épices soigneusement mélangées. Ci-dessous, vous trouverez quelques indications simples qui vous aideront à faire des saucisses avec le meilleur goût possible.

Tout type de viande peut être utilisé pour faire des saucisses : porc, bœuf, bison, original et caribou, même l'antilope font de la très bonne saucisse. Il est important lors de la préparation de venaison ou d'autres viandes de gibier rouges d'enlever la matière grasse de la viande, car le suif de gibier rouge rancira en aussi peu que cinq jours. Remplacez la matière grasse avec soit de la graisse de porc ou de bœuf, suivant le type de produit que vous faites, à un taux de 0,5 kg (1 livre) de graisse pour chaque 1,8 g (4 livres) de viande de gibier.

La teneur en matière grasse de vos saucisses affectera le goût, la texture, les caractéristiques de cuisson et la durée de conservation de votre produit. La plupart des saucisses fabriquées commercialement ont une teneur en matière grasse d'environ 20%. En utilisant moins de 12% de matière grasse, vous obtiendrez des saucisses avec un goût très sec, alors que si vous utilisez plus de 20%, cela peut résulter en des saucisses collantes et sans goût qui seront très difficiles à cuire.

SAUMURAGE

Il est important de saumer correctement les viandes pour conserver la viande et la volaille, et pour détruire les microorganismes indésirables sur les surfaces de la viande qui causent la détérioration et des maladies d'origine alimentaire. Il y a de nombreuses étapes qui aident à ce processus, y compris la fumaison, la cuisson, le séchage, le refroidissement rapide et l'addition d'ingrédients de saumure. Le plus ancien moyen d'accomplir cela est en introduisant le sel dans la viande. La résistance des bactéries au sel varie beaucoup parmi les différents types de bactéries. Le développement de certaines bactéries est inhibé par des concentrations en sel aussi basses que 3%, par exemple, Salmonella, alors que d'autres types peuvent survivre dans de plus hautes concentrations en sel, par exemple, Staphylococcus. Heureusement, le développement de nombreux microorganismes indésirables normalement trouvés dans les viandes et produits de volaille saumurés est inhibé à des basses concentrations de sel.

Le saumurage moderne est basé sur les Nitrates et est très scientifique. Achetez le sel de salage rose Weston (02-0000-W) et suivez les instructions fournies pour vous assurer que vous faites correctement votre saucisse maison.

BOYAUX

Weston offre une variété complète de boyaux. Le bon choix dépend de la préférence personnelle aussi bien que le type de saucisse que vous désirez faire. Pour la plupart des saucisses, vos choix sont "naturel" ou "collagène". Ne laissez pas les noms vous tromper; les boyaux en collagène ne sont pas un produit synthétique. Ils sont fabriqués à partir de peau de bœuf et d'autres tissus. Les boyaux en collagène sont uniformes en taille et en texture et ne nécessitent presque aucune préparation. Les boyaux "Naturels" sont les intestins d'agneau, de mouton, porc ou bœuf. Ils sont moins uniformes en taille et nécessitent une préparation. Il existe également des boyaux non comestibles en matière fibreuse qui sont le plus couramment utilisés pour le saucisson d'été et la mortadelle.

TYPES DE SAUCISSE

La plupart des saucisses se situent dans une des quatre catégories : Fraîche, Fumée, Cuite ou Sèche. Toutes les saucisses, sauf les sèches, exigent l'entreposage frigorifique. Il y a aussi une sous-catégorie de saucisses fumées non cuites.

Parmi les saucisses fraîches et fumées non cuites, vous trouverez des arômes tels que la kielbasa ou saucisse polonaise, saucisse italienne, saucisse petit déjeuner et beaucoup d'autres. Les saucisses fraîches aussi bien que les saucisses fumées non cuites doivent être cuites avant de les manger et elles nécessitent aussi l'entreposage frigorifique.

Les saucisses fumées et cuites comprennent le salami, le saucisson de Bologne, les toujours aussi populaires hot-dogs et de nombreux autres. La fumaison correcte nécessite un four ou appareil pour fumer les aliments. Ceux-ci peuvent être simplement des structures faites maison à partir de bidons Weston offre des fumoirs extérieurs au propane dans une panoplie de grosseurs (41-0701-W, 41-0301-W, ou 41-0401-W). La plupart des saucisses fumées sont réchauffées avant de servir. Un grand nombre de personnes pensent qu'une saucisse fumée durera plus longtemps sans altération, mais cela n'est pas vrai. Les saucisses fumées doivent être traitées de la même manière que les saucisses fraîches en termes d'entreposage.

Les saucisses sèches exigent le temps de transformation le plus long, puisqu'elles sont séchées à l'air pendant une longue période de temps. Weston offre des fumoirs extérieurs au propane dans une panoplie de grosseurs (41-0701-W, 41-0301-W, ou 41-0401-W). Les conditions sous lesquelles la viande est séchée sont très exigeantes; la température, la durée et l'humidité doivent toutes être soigneusement surveillées pour avoir un produit sûr et délicieux.

ENTREPOSAGE

Pour obtenir de meilleures saveurs, nous recommandons le scellage sous vide pour les saucisses fraîches, puis de les entreposer dans le réfrigérateur (à court terme) ou au congélateur (à long terme). Weston fabrique une variété d'appareils d'emballage sous vide. Demandez au détaillant où vous avez acheté cet appareil de vous parler de sa sélection. Conservez les produits salés à sec dans du papier ou un autre emballage qui respire, non réfrigéré.







UN AN DE GARANTIE WESTON LIMITÉE

La présente garantie s'applique aux produits, achetés et utilisés aux États-Unis et au Canada, qui ont été dûment enregistrés dans un délai de 30 jours à compter de la date d'achat initiale. La présente garantie est la seule garantie expresse pour ce produit et remplace toute autre garantie ou condition. Ce produit est garanti contre tout défaut de matériaux et de fabrication pour une durée d'un (1) an à compter de la date d'achat initiale. Au cours de cette période, votre seul recours est la réparation ou le remplacement de ce produit ou de tout composant s'avérant défectueux, à notre gré.

Pour enregistrer votre produit : remplissez le formulaire en ligne à l'adresse www.WestonProducts.com/Warranty

La présente garantie ne couvre pas les produits non enregistrés, ni les réparations ou services après-vente non autorisés, les produits vendus « tels quels » par les détaillants, le verre, les filtres et l'usure normale d'utilisation, toute utilisation non conforme aux directives écrites, ni les dommages au produit résultant d'un accident, d'une modification, d'une utilisation abusive ou incorrecte. La présente garantie est valable uniquement pour l'acquéreur initial ou le destinataire du cadeau et n'est pas cessible. Veuillez conserver le ticket de caisse d'origine, puisqu'une preuve d'achat est requise pour toute réclamation de garantie. La présente garantie devient caduque si le produit est soumis à une tension ou forme d'onde autre que celle indiquée sur l'étiquette (par ex., 120 V ~ 60 Hz).

Aucune réclamation en cas de dommages spéciaux, consécutifs ou indirects résultant du non-respect de toute garantie expresse ou implicite ne sera prise en compte.

Toute responsabilité se limite au montant du prix d'achat. Toute garantie implicite, notamment toute garantie légale, condition de commercialité ou d'adaptation à une fin particulière, est exclue, sauf dans la mesure où cela est interdit par la loi en vigueur, auquel cas cette garantie ou condition est limitée à la durée de la présente garantie écrite. La présente garantie vous confère des droits juridiques spécifiques. Vous pouvez également bénéficier d'autres droits juridiques qui varient selon l'endroit où vous vivez. Certains États ou provinces n'autorisent pas de limitations sur les garanties implicites ou sur les dommages spéciaux, consécutifs ou indirects, de sorte que les limitations susmentionnées pourraient ne pas vous concerner.

Avant de retourner le produit pour réparation ou entretien : il doit être propre et exempt de toute particule de nourriture ou d'autres débris; sans quoi nous serons dans l'obligation de vous le retourner ou nous vous facturerons des frais de nettoyage de 50 dollars, à notre gré.

Pour procéder à une réclamation de garantie : allez à l'adresse www.WestonProducts.com/Contact;

ou appelez le 1.800.814.4895 pour les États-Unis et le 001.440.638.3131 hors des États-Unis, du lundi au vendredi, de 8 h à 17 h HNE. Tous les frais liés à l'envoi du produit, frais de transport prépayés inclus, sont à votre charge.

Si le produit remplit les conditions pour une réparation ou un remplacement sous garantie, les frais de retour seront à notre charge. Nous déclinons toute responsabilité en cas de dommages dus au transport.

Pour toute réparation sans garantie : appelez le 1.800.814.4895 pour les États-Unis et le 001.216.801.6801 hors des États-Unis, du lundi au vendredi, de 8 h à 17 h HNE, pour obtenir un numéro d'autorisation de retour de marchandises (numéro de RMA). Tout envoi expédié sans numéro de RMA sera refusé. Tout diagnostic, travail d'entretien, de réparation ou de traitement sera facturé 35 USD/heure. Aucun travail d'entretien ou de réparation ne sera effectué sans autorisation préalable. Tous les frais liés à l'envoi du produit, frais de transport prépayés inclus, ainsi que ceux de retour sont à votre charge.

ATTENTION!

PLEASE INSPECT THIS PACKAGE THOROUGHLY FOR MISSING PARTS OR ANY PRODUCT DAMAGE. IF YOUR PRODUCT CONTAINS SHIPPING DAMAGE, PLEASE CONTACT RETAILER FOR ASSISTANCE.

For all other questions regarding product usage, missing parts, product damage, difficulty or warranty activation, please contact the Weston Brands Customer Service Team:
8:00 am to 5:00 pm ET, Monday thru Friday

CustomerService@WestonProducts.com

U.S. Residents Customer Service Line: 1-800-814-4895 (Outside U.S. Call: 001-216-801-6801)

Weston Brands LLC, Cleveland, Ohio 44149

WestonProducts.com

Please DO NOT return this item to the retailer before contacting
Weston Brands Customer Service.

SAVE THESE INSTRUCTIONS!

Refer to them often and use them to instruct others.

ATTENTION!

*VEUILLEZ INSPECTER CET EMBALLAGE AVEC SOIN POUR Y DÉTECTER
TOUTE PIÈCE MANQUANTE OU ENDOMMAGÉE.
SI DES PIÈCES ONT ÉTÉ ENDOMMAGÉES PENDANT LE TRANSPORT, VEUILLEZ
COMMUNIQUER AVEC LE DÉTAILLANT POUR OBTENIR DE L'AIDE.*

*Pour toutes les autres questions concernant l'utilisation du produit, les pièces manquantes, les problèmes ou l'activation de la garantie, veuillez communiquer avec l'équipe du service clientèle des produits Weston:
de 8:00 à 17:00 HNE, du lundi au vendredi.*

CustomerService@WestonProducts.com

Numéro de téléphone du service clientèle pour les résidents des É.-U. : 1-216-801-6801

Numéro de téléphone à l'extérieur des É.-U. : 001-440-638-3131 Weston Brands LLC,

Weston Brands LLC, Cleveland, Ohio 44149

WestonProducts.com

Veillez communiquer avec le service clientèle des produits Weston AVANT de retourner cet appareil au détaillant.

CONSERVER CES DIRECTIVES!

Veillez les consulter fréquemment et les utiliser pour la formation.

¡ATENCIÓN!

Revise completamente el envase y compruebe que no falten partes o que algún producto esté dañado. si el producto está dañado por el transporte, solicite asistencia al distribuidor.

Para todas aquellas preguntas referentes al uso del producto, partes faltantes, daño del producto, dificultad o activación de la garantía, comuníquese con el equipo de servicio al cliente de weston Brands:
desde las 8:00 am hasta las 5:00 pm ET, de lunes a viernes

CustomerService@WestonProducts.com

Línea de Servicio al Cliente para Residentes de EE.UU.: 1.800.814.4895 (Fuera de EE.UU., llame al:

001-216-801-6801) Weston Brands LLC, Cleveland, Ohio 44149

WestonProducts.com

NO devuelva este artículo al vendedor minorista antes de comunicarse con Servicio al Cliente de Weston Brands.

¡GUARDE ESTAS INSTRUCCIONES!

Consulte estas instrucciones y úselas para enseñar sobre el uso de este producto a otras personas.