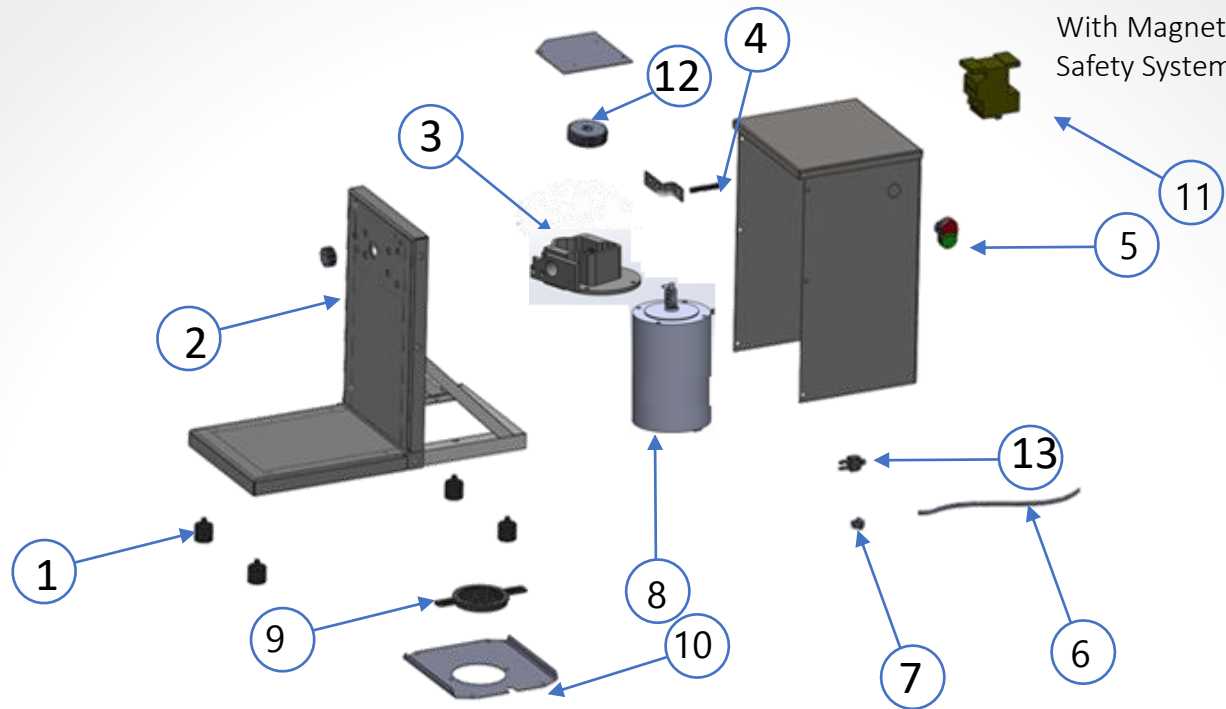


## SPARE PARTS MANUAL

Page 01  
KT8  
Section: Electrical System  
With Magnetic Sensor  
Safety System



ITEM	CODE	DESCRIPTION
1	M500335	RUBBER FOOT
2	M570324	GEAR S.S.
3	M501612	TRANSMISSION
4	M507486	MAGNETIC SENSOR
5	M502260	ON-OFF SWITCH
6	M500154	POWER CORD
7	M500799	GROMMET
8	M503924	MOTOR 3/4HP,M,115/220,4P,60/50,C,MT43WEG
9	M503117	BASE LID KIT
10	M570461	BASE FOR VENTILATION
11	M506750	RELAY
12	M573032	BRONZE GEAR
13	M507482	CIRCUIT BREAK

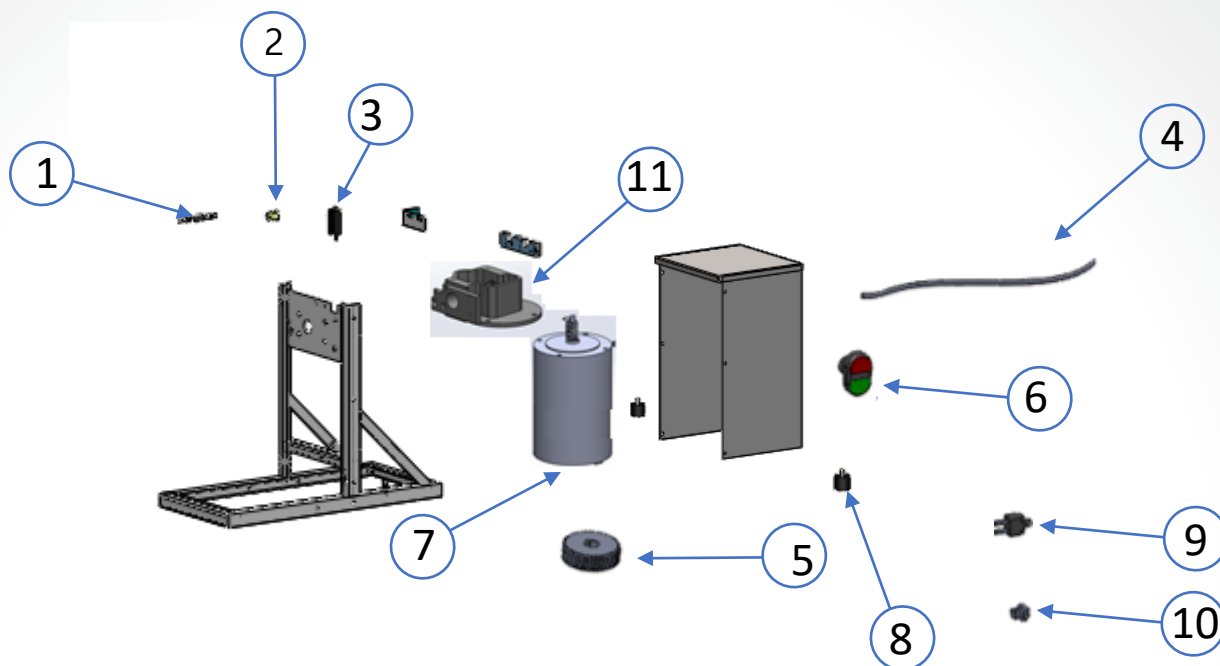
## SPARE PARTS MANUAL

Page 02

KT8

Section: Electrical System

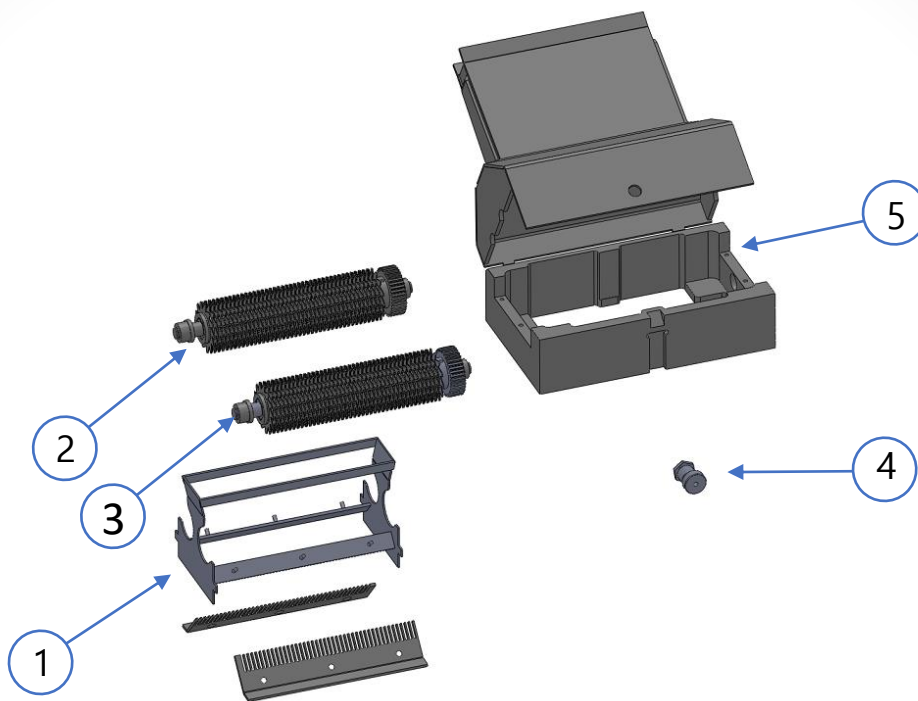
With Microswitch Safety System



ITEM	CODE	DESCRIPTION
1	M573047	SCREW PIN 5/16" S.S
2	M500701	HEXAGONAL NUT
3	M501509	MICROSWITCH
4	M500154	POWER CORD
5	M573032	BRONZE GEAR
6	M502260	ON-OFF SWITCH
7	M503924	MOTOR 3/4HP,M,115/220,4P,60/50,C,MT43WEG
8	M500335	RUBBER FOOT
9	M507482	CIRCUIT BREAK
10	M500799	GROMMET
11	M501612	TRANSMISSION

### SPARE PARTS MANUAL

Page 02  
 KT8  
 Section: Softening unit



ITEM	CODE	DESCRIPTION
1	M573090	KNIVES SUPPORT
2	M550006	REAR KNIVES ASSEMBLY
3	M550005	FRONTAL KNIVES ASSEMBLY
4	M550008	LOCK ASSEMBLY
5	M575591	STAINLESS STEEL LID