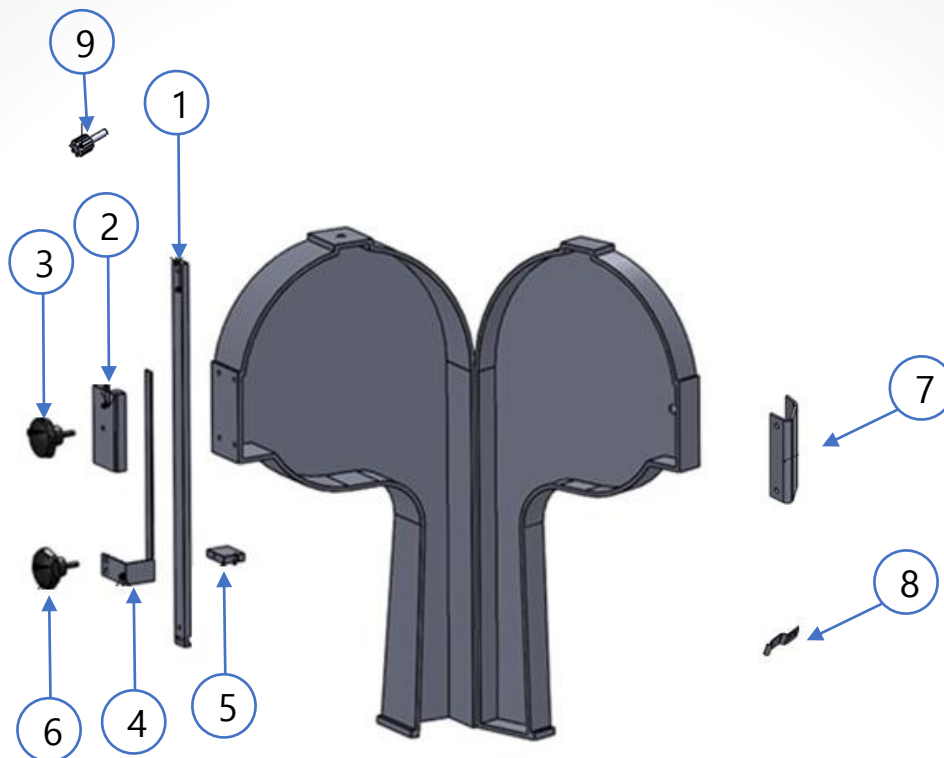


SPARE PARTS MANUAL

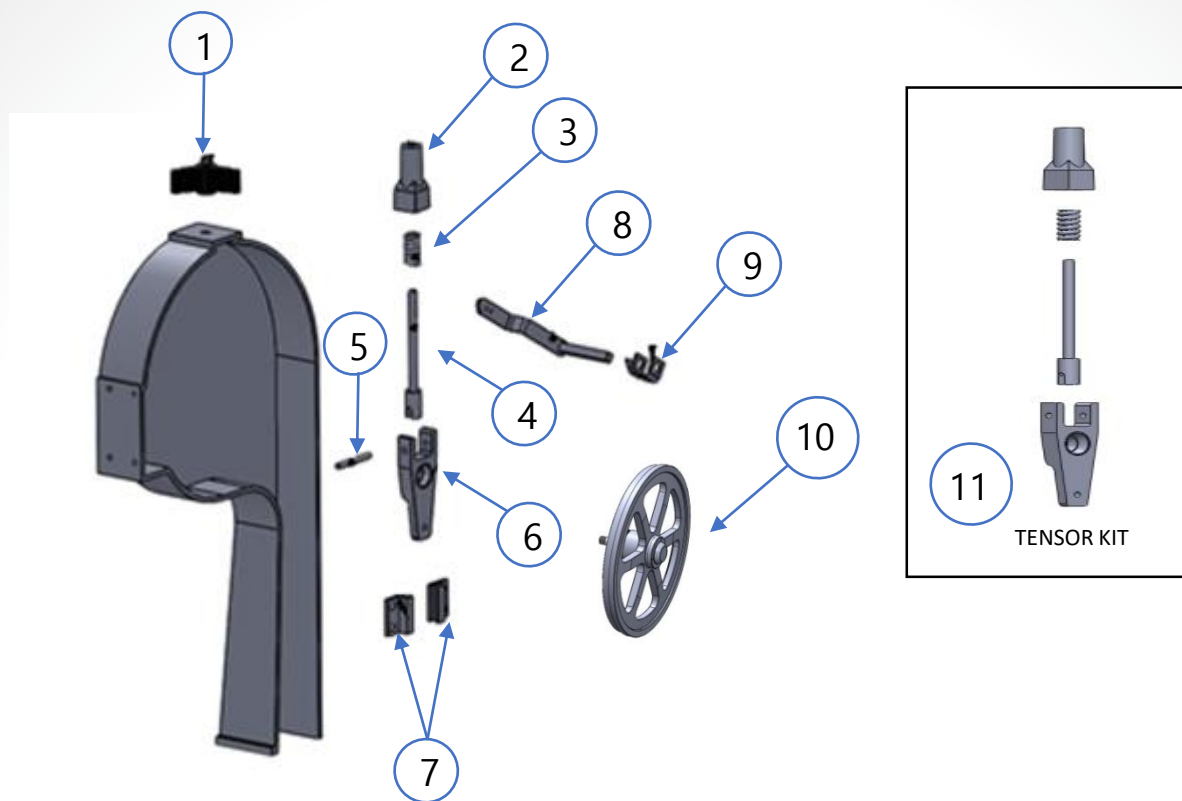
Page 01
KSP-116/KSP-116-XP
Section: Head



ITEM	CODE	DESCRIPTION
1	M571595	SLIDING BAR KIT
2	M571864	SLIDING BAR GUIDE KIT
3	M571295	UPPER KNOB FOR SLIDING BAR GUIDE
4	M571600	UPPER BLADE GUARD S.S.
5	M570513	UPPER SAW GUIDE
6	M571606	KNOB
7	M571820	DOOR SPRING LATCH KIT
8	M571818	HANDLE DOOR KIT
9	M570426	LIMIT KNOB

SPARE PARTS MANUAL

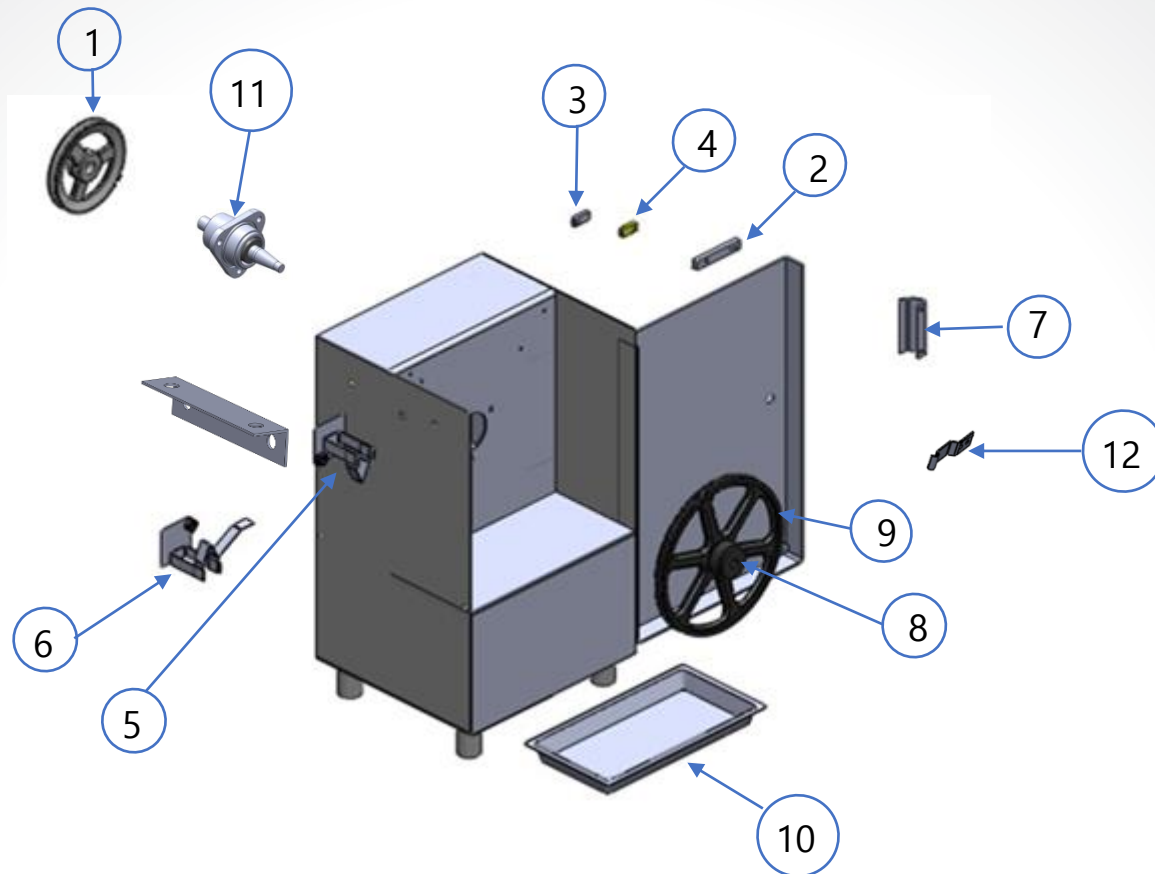
Page 02
KSP-116/KSP-116-XP
Section: Head(2)



ITEM	CODE	DESCRIPTION
1	M571869	TENSION HANDLE KIT
2	M571534	TENSION GAUGE HOUSING
3	M500290	TENSION GAUGE SPRING
4	M571535	ROD & INDICATOR 1/2" S.S.
5	M570656	TENSION GAUGE PIN S.S.
6	M571536	UPPER WHEEL HANGER
7	M571823	TENSOR GUIDES KIT
8	M572679	UPPER WHEEL SCRAPER ARM S.S.
9	M572680	UPPER WHEEL SCRAPER (CLEANER)
10	CREAR	14" UPPER PULLEY ASSY
11	M571551	TENSOR KIT

SPARE PARTS MANUAL

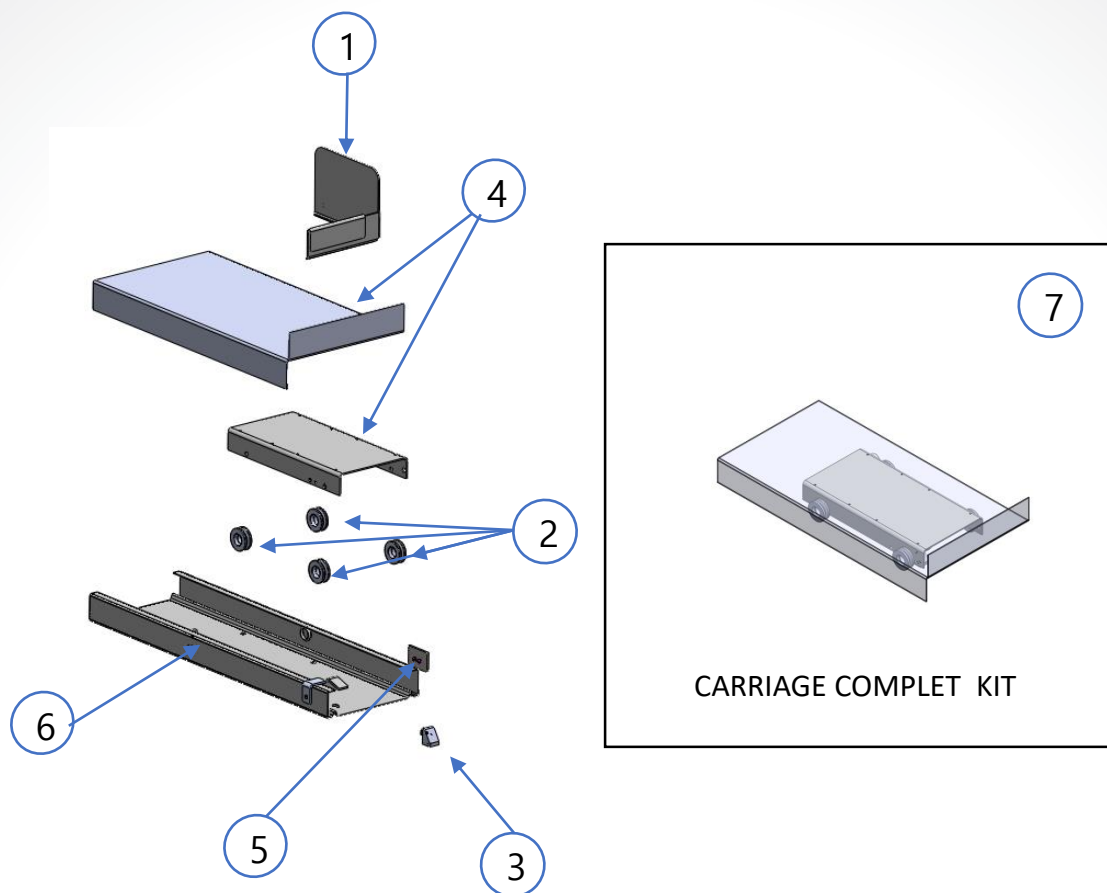
Page 03
KSP-116 / KSP-116-XP
Section: Cabinet



ITEM	CODE	DESCRIPTION
1	M571876	PULLEY 8" KIT 60Hz
2	M571836	GUIDES BASE KIT
3	M570844	LOWER SAW GUIDE (S.S.)
4	M570140	FIBER GUIDE
5	M577383	RIGHT CLEANER ASSY
6	M577382	LEFT CLEANER ASSY
7	M571818	HANDLE DOOR KIT
8	M571824	BEARING CAP KIT
9	M570363	LOWER WHEEL 14"
10	M500321	SCRAP TRAY
11	CREAR	LOWER MAIN BEAR. HOUS. ASSY.
12	M571820	DOOR SPRING LATCH KIT

SPARE PARTS MANUAL

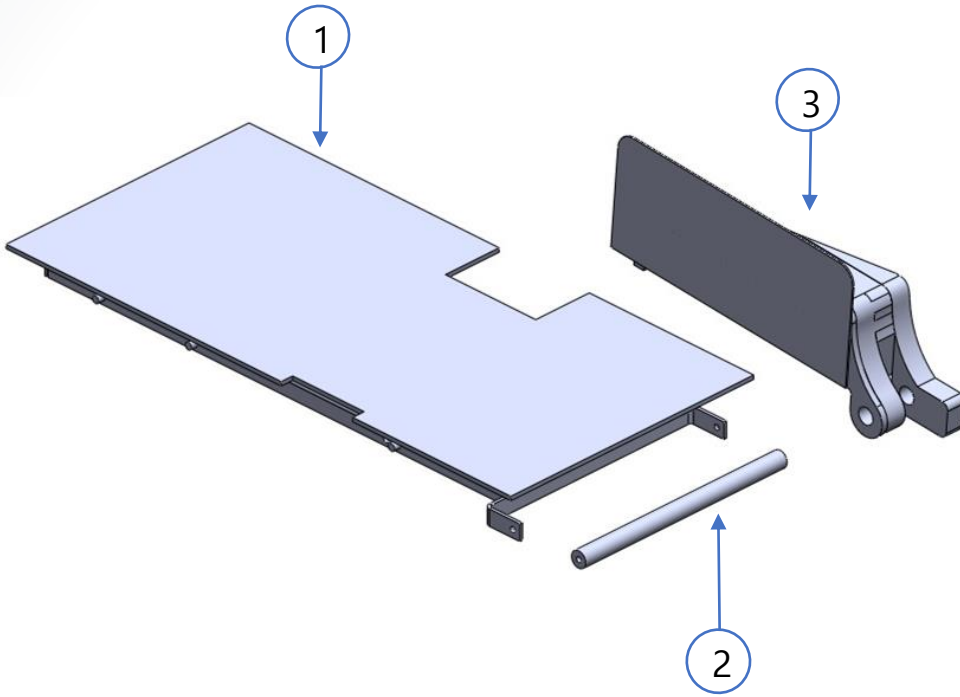
Page 04
KSP-116 /KSP-116-XP
Section: Carriage



ITEM	CODE	DESCRIPTION
1	M571618	PUSHER
2	M574465	S.S. WHEEL ASSY.
3	M572683	CARRIAGE STOP BLOCK (FRONT) KIT
4	M570970	STAMPING TABLE CARRIAGE
5	M571090	MOVIL STOPPER FOR CARRIAGE
6	M573117	"V" CARRIAGE GUIDE ASSY
7	M573161	SLIDING CARRIAGE TYPE "V" KIT

SPARE PARTS MANUAL

Page 05
KSP-116 / KSP-116-XP
Section: Table System



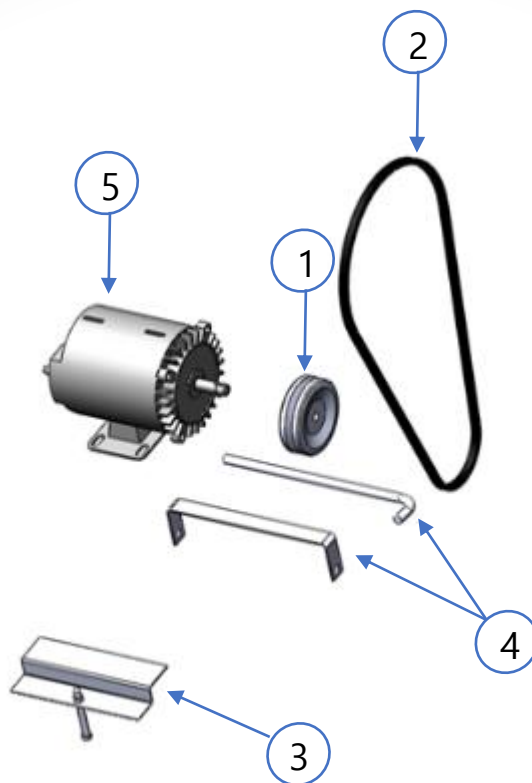
ITEM	CODE	DESCRIPTION
1	M570628	TABLE ASSY.
2	M573299	BAR KIT
3	M572226	GAUGE PLATE ASSY.

KSP-116 / KSP-116-XP MEAT BAND SAW

PRO-CUT®

SPARE PARTS MANUAL

Page 06
KSP-116 / KSP-116-XP
Section: Table System



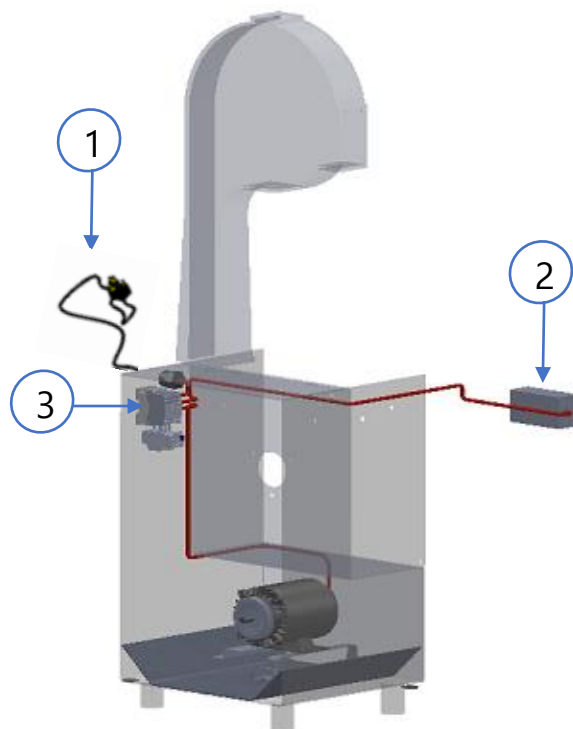
ITEM	CODE	DESCRIPTION	HZ	HP
1	M571887	PULLEY 4" KIT (SHAFT 7/8")	60	3
	M571840	PULLEY 4" KIT (SHAFT 5/8")	60	1.5

ITEM	CODE	DESCRIPTION	HP
2	M501087	# B-47 RUBBER BELT	1.5
	M501088	V-BELT # B-48	3
3	M572678	MOTOR BASE KIT ST295	1.5
4	M571888	BRACKET - MOTOR KIT (PE)	1.5 / 3

ITEM	CODE	DESCRIPTION	HP	VOLTAGE	PHASE	HZ
5	M500803	1.5HP MOTOR MONOPHASE 110/220V 60Hz	1.5	110/220	1	60
	M500178	3HP MOTOR, T, 220/440V, 50/60Hz	3	220/440	3	60

SPARE PARTS MANUAL

Page 07
 KSP-116 / KSP-116-XP
 Section: Eelctric System



ITEM	CODE	DESCRIPTION	PHASE
1	M500154	POWER CORD 3X14AWG,300V, 75°C UL	1
	M572708	CORD KIT (4x14AWG)	3

ITEM	CODE	DESCRIPTION
2	M502135	PUSH BUTTON BOX KIT

ITEM	CODE	DESCRIPTION	VOLTAGE
1	M503351	DP25-2 CONTACTOR (037H4151-23) 110V	110
	M507640	CONTACTOR ABB AF12301013 100-250V 50/60H	220