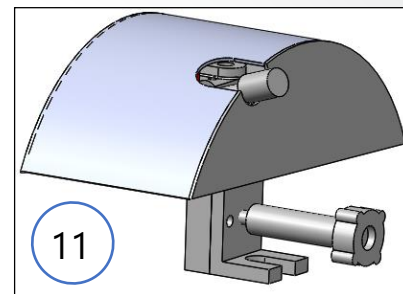
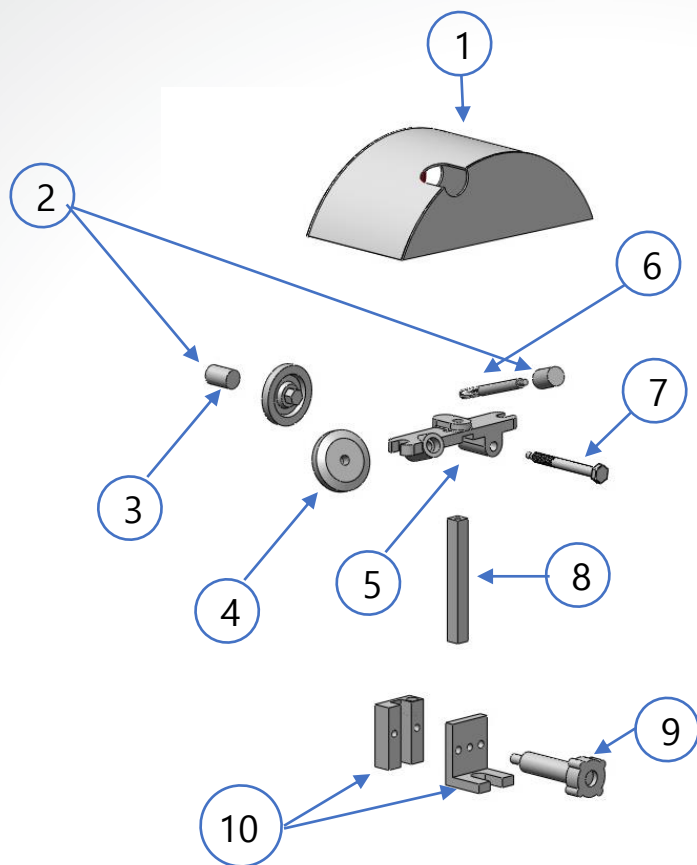


## SPARE PARTS MANUAL

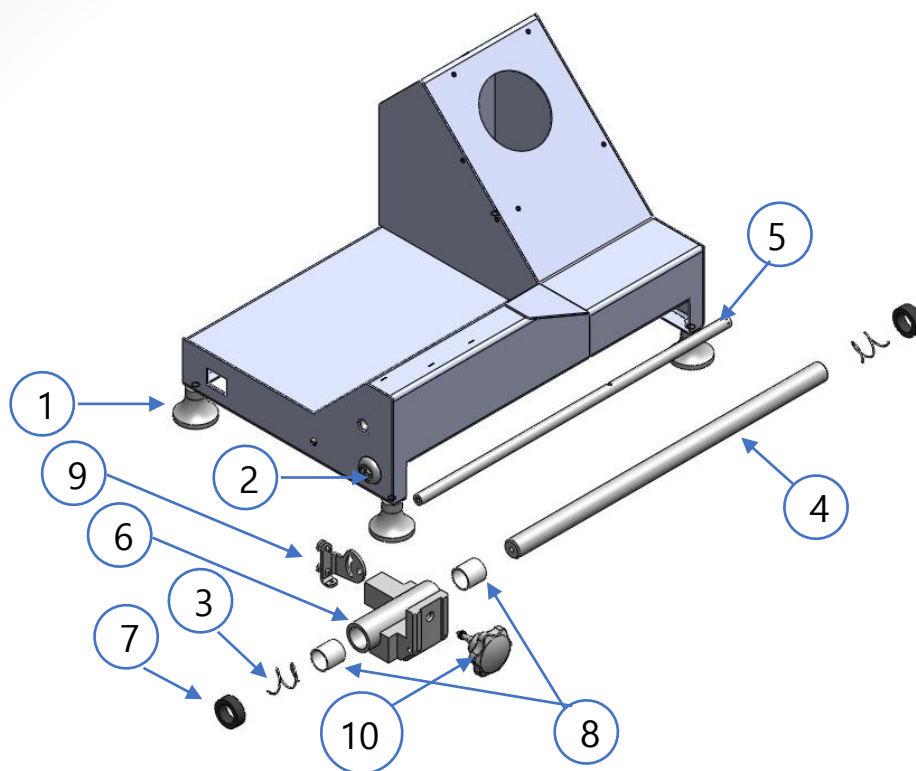
Page 01  
KSDS-12  
Section: Sharpener System



ITEM	CODE	DESCRIPTION
1	M570063	SHARPENER BOX
2	M500933	SHAFT KNOB (KDS-KSDS)
3	M500859	WHETSTONE FOR KDS-KSDS
4	M500858	TRUING WHEEL (KDS-KSDS)
5	M504519	CROSSBAR FOR SHARPENER
6	M570949	SHAFT GRINDING WHEEL (KDS-KSDS)
7	M570950	SHAFT TRUING WHEEL (KDS-KSDS)
8	M573304	SHARPENER COLUMN & SCREW (KDS12, KSDS12)
9	M506929	SHARPENER SUPPORT KNOB ( RB-250, RB-300, SS-275 )
10	M575339	SHARPENER SUPPORT ASSY. (KDS12-KSDS12)
11	M570064	SHARPENER ASSY.

## SPARE PARTS MANUAL

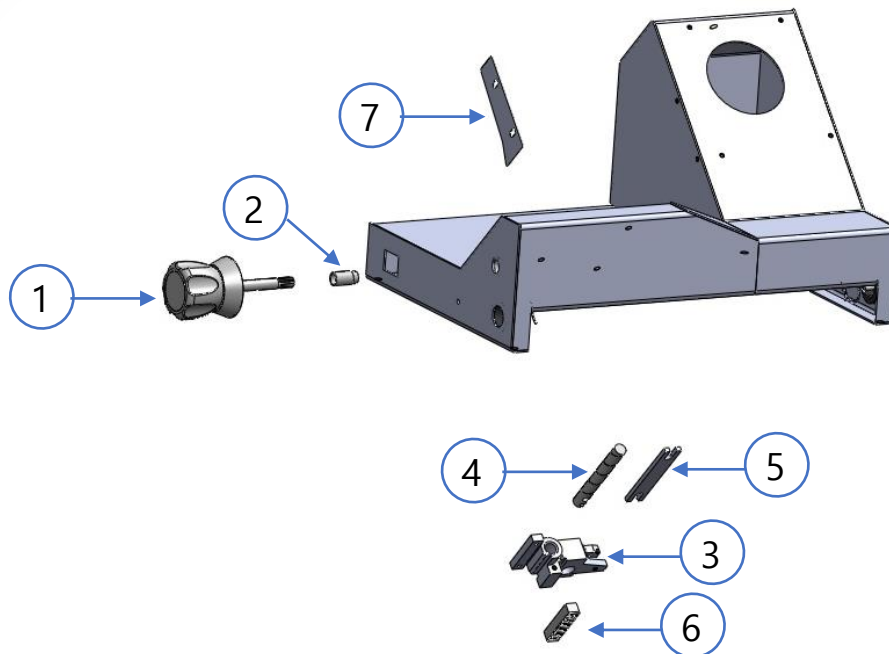
Page 02  
KSDS-12  
Section: Bushing System



ITEM	CODE	DESCRIPTION
1	M503434	RUBBER PLUG-PAD 5/16"
2	M571948	FORM WASHER & BOLT
3	M500937	SPRING BUMPER (KDS-KSDS)
4	M574499	SLIDE ROD FOR CARRIAGE BUSHING (KSDS)
5	M574714	STABILIZING SLIDE ROD (KSDS)
6	M574690	CARRIAGE BUSHING (KSDS)
7	M500931	RUBBER BUMPER ( RB-250, RB-300, SS-275 )
8	M570968	SLEEVE BEARING d7/8" X D1"
9	M575341	BEARING BASE SUB-ASSY. (KSDS)
10	M503449	INDEXING KNOB (KSDS)

## SPARE PARTS MANUAL

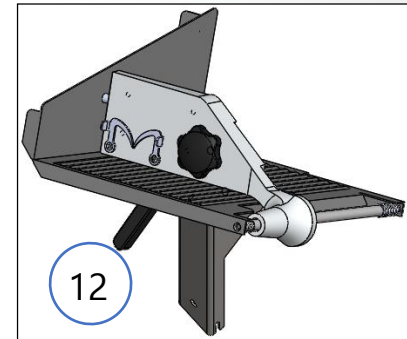
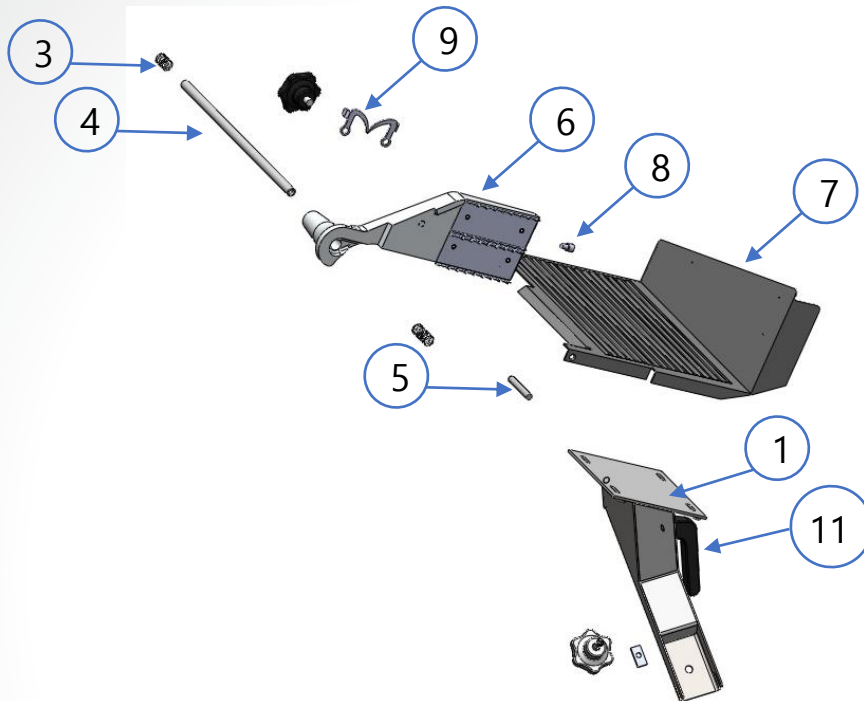
Page 03  
KSDS-12  
Section: Chassis



ITEM	CODE	DESCRIPTION
1	M503449	INDEXING KNOB (KSDS)
2	M574488	INDEXING KNOB BUSHING
3	M574494	INDEXING REGULATOR (KSDS12)
4	M574761	GAUGE GUIDE BOLT (KSDS)
5	M574712	LEVELING PLATE (KSDS)
6	M574717	RACK (KSDS)
7	M503418	GAGE SUPPORT SLIDING

## SPARE PARTS MANUAL

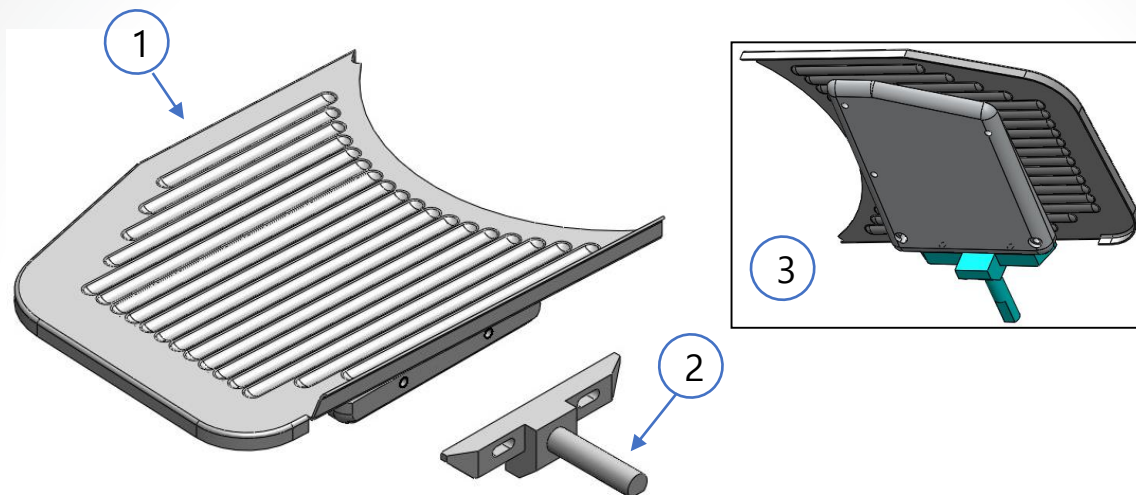
Page 04  
KSDS-12  
Section: Carriage



ITEM	CODE	DESCRIPTION
1	M570987	GAGE SUPPORT SLIDING
2	M503450	KNOB FOR CARRIAGE SUPPORT (KSDS)
3	M501545	LOWER SPRING
4	M570184	SLIDE ROD F/MEAT GRIP(KDS12,KSDS12,KMS)
5	M570075	MEAT GRIP SCREW HOLDER (KDS12, KSDS12)
6	M574758	MEAT GRIP (KSDS12)
7	M574755	CARRIAGE ASSY. (KSDS12)
8	M500332	BUMPER (NYLON)
9	M573787	HOOK KIT
10	M500092	KNOB 3/8" ( R-300A, RB-250\300 ) (REF 96)
11	M531159	HANDLE KIT (RB, SS)
12	M574764	RETAINER RING FOR KNOB
13	M571932	CARRIAGE ASSY. (KMS12)

## SPARE PARTS MANUAL

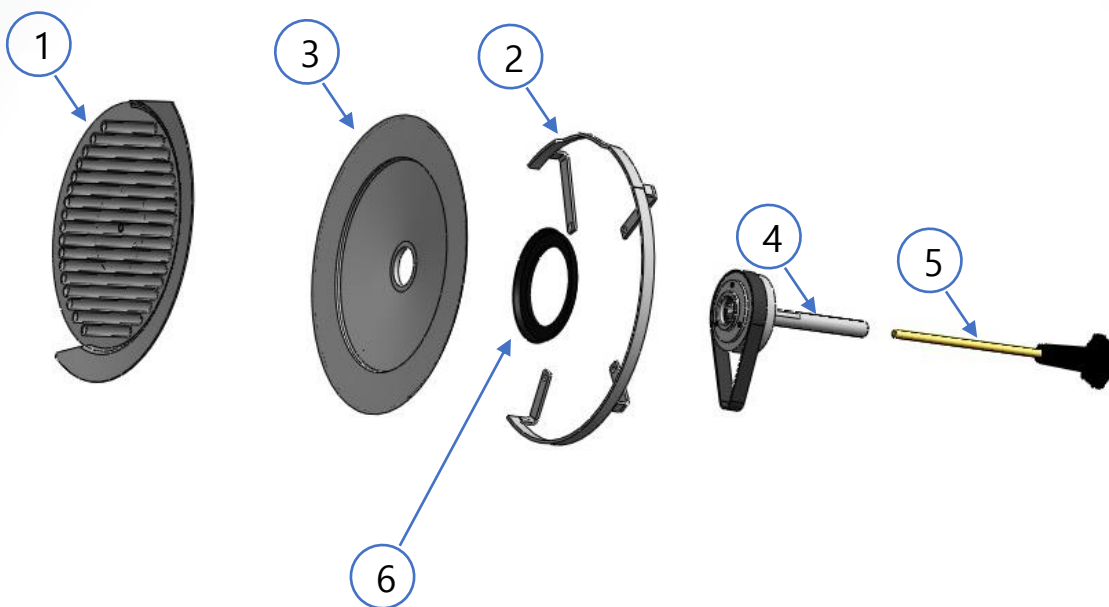
Page 05  
KSDS-12  
Section: Carriage Plate



ITEM	CODE	DESCRIPTION
1	M570612	CARRIAGE ASSY. (KMS12)
2	M571950	GAGE PLATE SUPPORT ASSY. (KSD-KSDS)
3	M570613	GAUGE PLATE & SUPPORT ASSY. (KSDS12)

## SPARE PARTS MANUAL

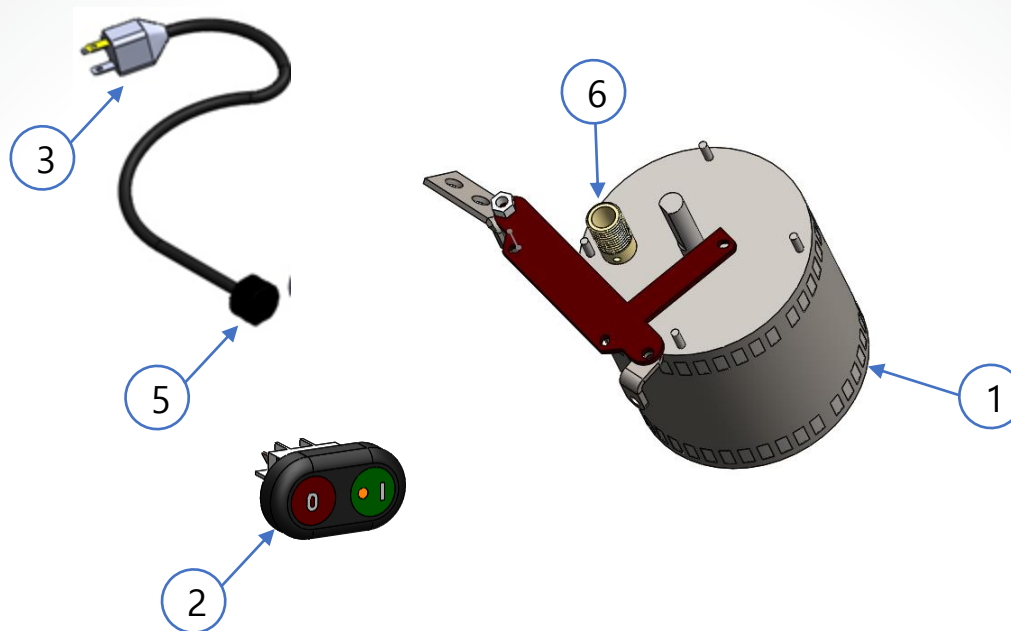
Page 06  
KSDS-12  
Section: Cutting System



ITEM	CODE	DESCRIPTION
1	M570890	GAUGE PLATE & SUPPORT ASSY. (KSDS12)
2	M570883	KNIFE GUARD (KSDS)
3	M500975	KNIFE (300mm)
4	M571940	BEARING HOUSING (KDS-KSDS) ASSY.
5	M574834	PLATE KNOB (KSDS)
6	M503417	KNIFE SLIDING

## SPARE PARTS MANUAL

Page 07  
KSDS-12  
Section: Motor System



ITEM	CODE	DESCRIPTION	HP	VOLTAGE	PHASES	HZ
1	M500115	1/3HP MOTOR SUBASSEMBLY 115Vav (US)	1/3	110	1	60

ITEM	CODE	DESCRIPTION
2	M503481	SWITCH 0401/TTR RED B142/GREEN B143 (R300A,RB250,RB300,SS275,LM,LP)
3	M500154	POWER CORD 3X14AWG,300V, 75°C UL
4	M500799	GROMMET MP7P2
5	M574804	MOTOR COUPLING KIT (KDS, KSDS)