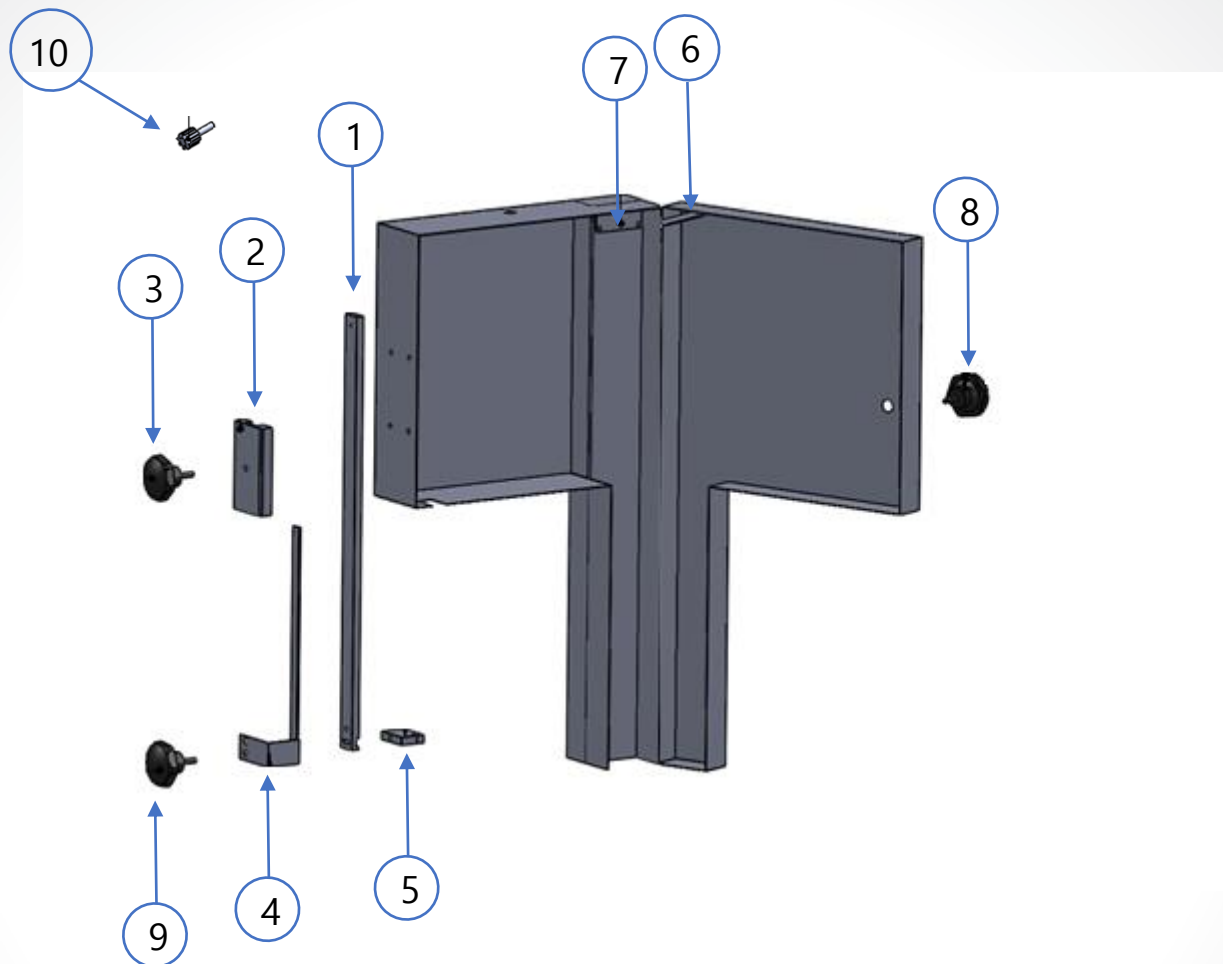


SPARE PARTS MANUAL

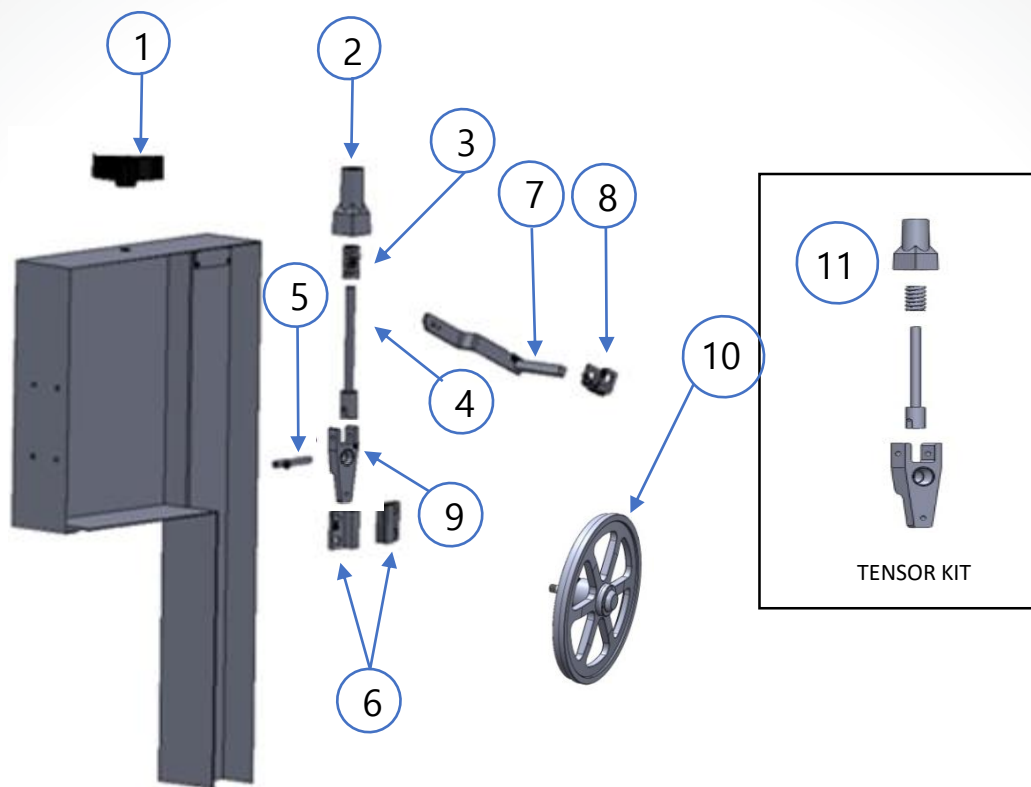
Page 01
 KS-116 / KS-116-V2
 Section: Head



ITEM	CODE	DESCRIPTION
1	M571865	SLIDING BAR
2	M571864	SLIDING BAR GUIDE KIT
3	M571295	UPPER KNOB FOR SLIDING BAR GUIDE
4	M570637	BLADE GUARD
5	M570835	UPPER SAW GUIDE S.S.
6	M575021	UPPER MAGNET
7	M575022	SUPERIOR MAGNETIC SENSOR (UPPER)
8	M571867	DOOR KNOB KIT
9	M571606	KNOB
10	M530779	LIMIT KNOB

SPARE PARTS MANUAL

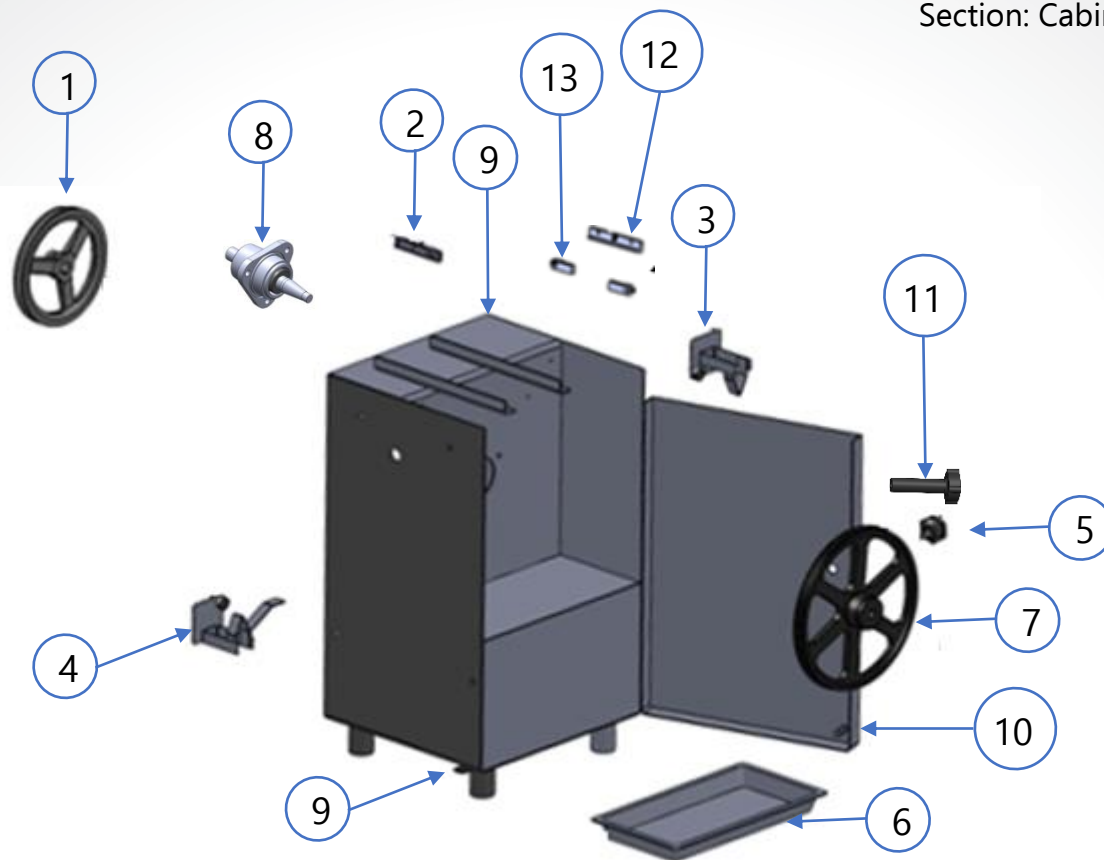
Page 02
KS-116 / KS-116-V2
Section: Head(2)



ITEM	CODE	DESCRIPTION
1	M571869	TENSION HANDLE KIT (ST-295 AI,200AI)
2	M571534	TENSION GAUGE HOUSING
3	M500290	TENSION GAUGE SPRING (ST\SB\SJ-295, SJ-198\200, ST-355 Y ST-355 PE)
4	M571535	ROD & INDICATOR 1/2" S.S. (ST-295 AI,PE)
5	M570656	TENSION GAUGE PIN S.S. (ST-295 AI,PE)
6	M571870	TENSION GUIDES KIT
7	M572679	UPPER WHEEL SCRAPER ARM S.S. KIT (ST-295 AI\ PE)
8	M572680	UPPER WHEEL SCRAPER (CLEANER) KIT (ST-295 AI\ PE)
9	M571536	UPPER WHEEL HANGER ST295AI
10	M571552	UPPER WHEEL 14" KIT
11	M571551	TENSOR KIT

SPARE PARTS MANUAL

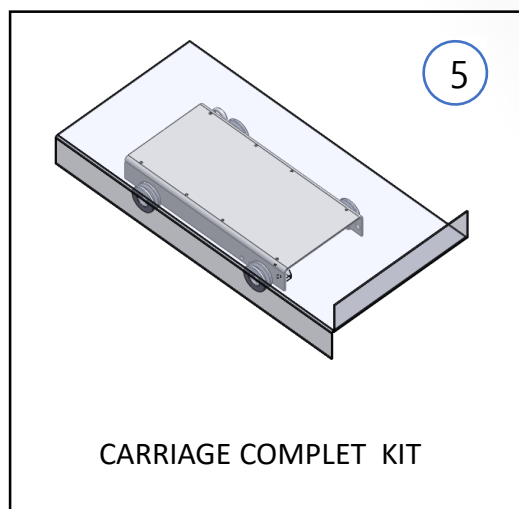
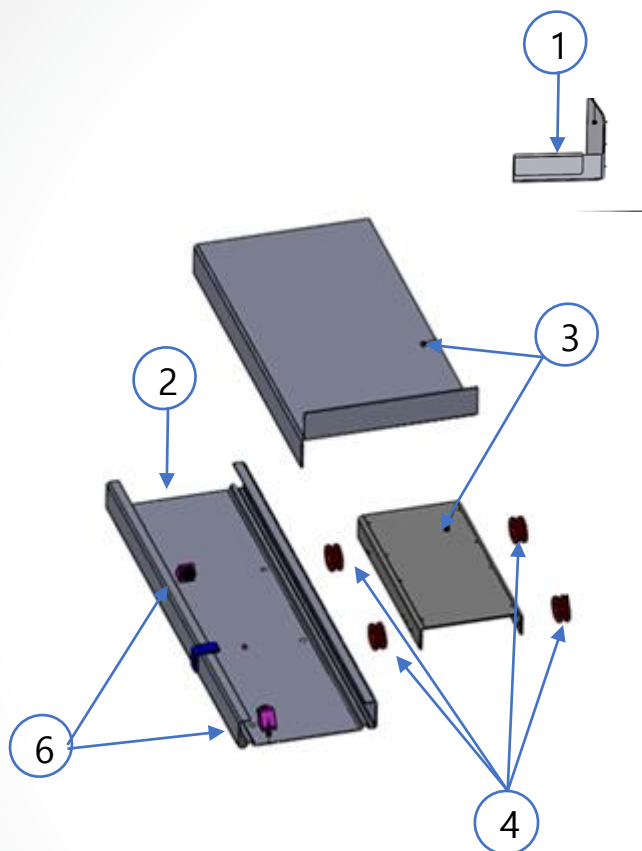
Page 03
KS-116 / KS-116-V2
Section: Cabinet



ITEM	CODE	DESCRIPTION
1	M571875	PULLEY 8" KIT 60Hz
2	M571882	GUIDES BASE KIT FOR TENSOR
3	M577383	RIGTH CLEANER ASSY
4	M577382	LEFT CLEANER ASSY
5	M571867	DOOR KNOB KIT
6	M572222	SCRAP TRAY (295AI)
7	M571109	LOWER WHEEL 14" (ST-295 AI)
8	M570995	LOWER MAIN BEAR. HOUS. ASSY. INCL ITEMS 8 TO 12(ST\SJ\SB\PE-295)
9	M575023	LOWER MAGNETIC SENSOR (ST- 295 AI)
10	M575020	LOWER MAGNET (ST- 295 AI)
11	M572830	KNOB FOR SCRAPER WITH NUT
12	M570844	LOWER SAW GUIDE (S.S.)
13	M570140	FIBER GUIDE (ST\SJ\SB\AI\PE -295, SJ-198, Y ST-355)

SPARE PARTS MANUAL

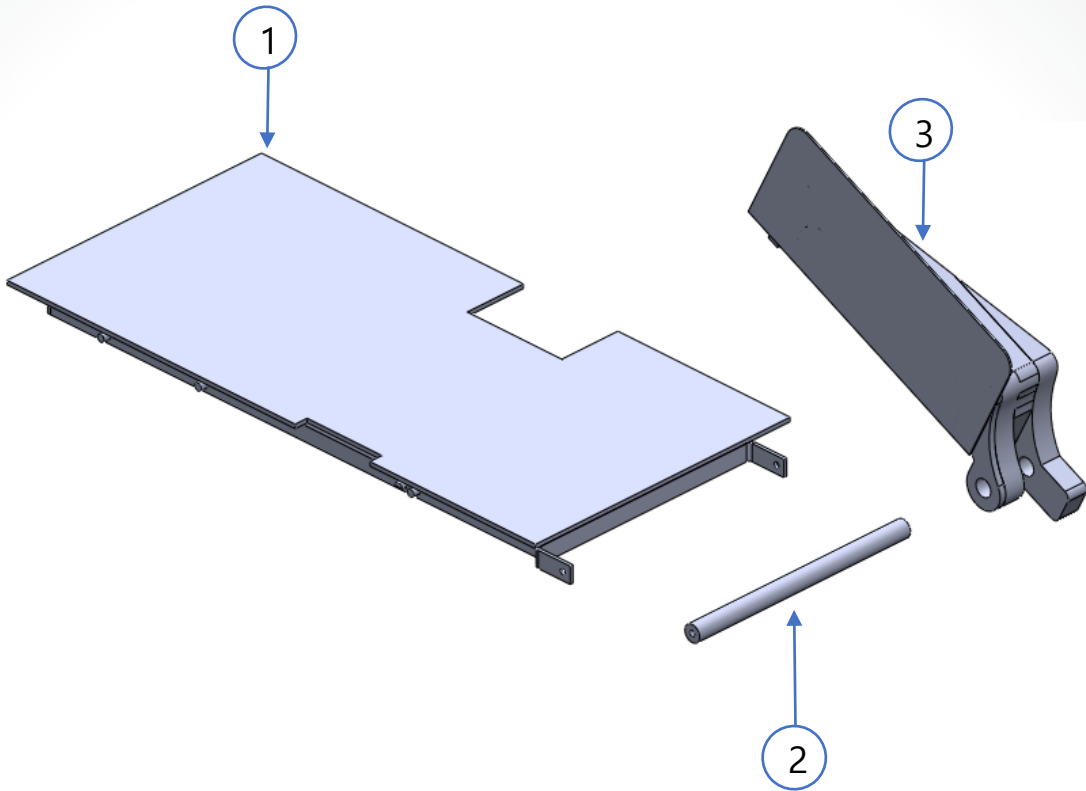
Page 04
 KS-116 / KS-116-V2
 Section: Carriage



ITEM	CODE	DESCRIPTION
1	M571618	PUSHER (AI\PE -295, AI\PE-200)
2	M573117	"V" CARRIAGE GUIDE ASSY ST295AI.
3	M570970	STAMPING TABLE CARRIAGE ST295
4	M574465	S.S. WHEEL ASSY. 295AI,PE,355AI,PE (REF 02)
5	M573161	SLIDING CARRIAGE TYPE "V" KIT
6	M572683	CARRIAGE STOP BLOCK (FRONT) KIT (AI\PE -295)

SPARE PARTS MANUAL

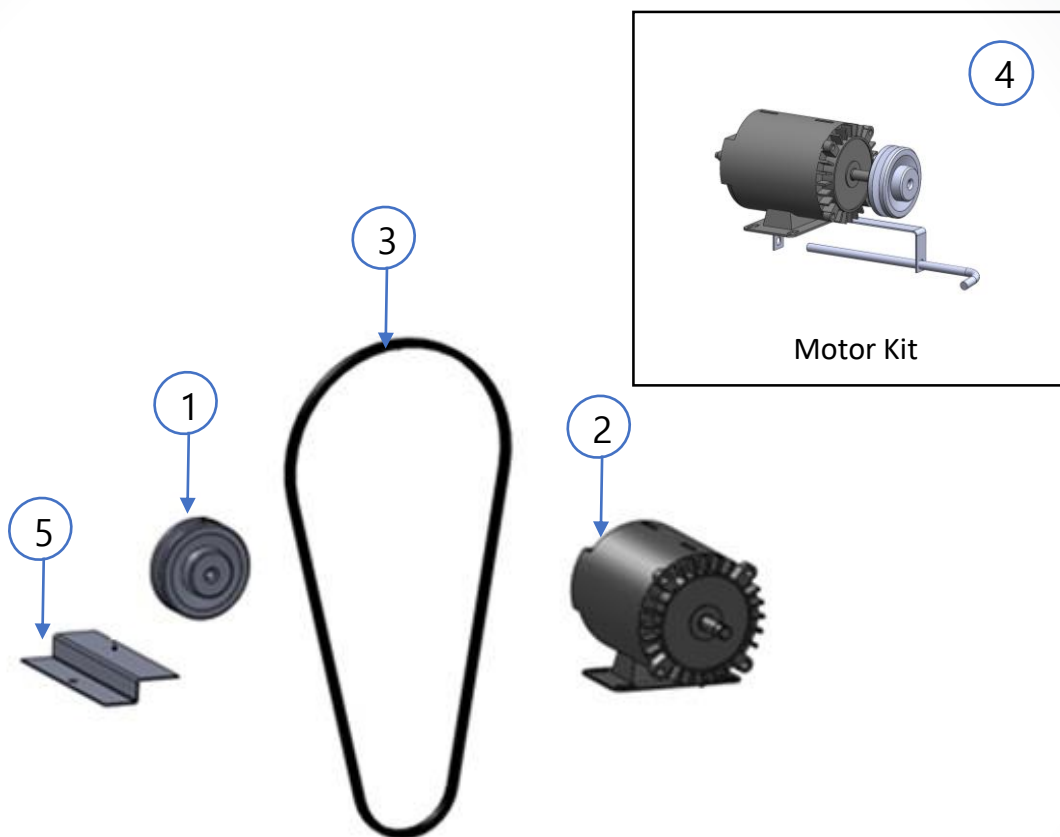
Page 05
KS-116 / KS-116-V2
Section: Table System



ITEM	CODE	DESCRIPTION
1	M571077	TABLE ASSY.
2	M573299	BAR KIT (295, 305)
3	M572226	GAUGE PLATE ASSY.

SPARE PARTS MANUAL

Page 06
 KS-116 / KS-116-V2
 Section: Table System



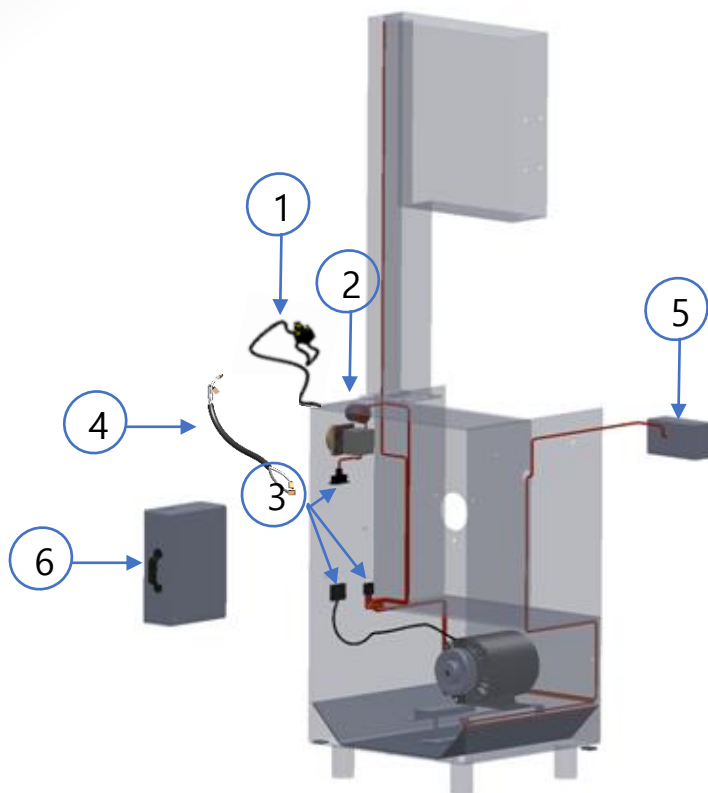
ITEM	CODE	DESCRIPTION	HP	HZ
1	M571838	PULLEY 4" KIT (SHAFT 5/8") (S.S.)	1.5	60

ITEM	CODE	DESCRIPTION	HP	VOLTAGE	PHASE	HZ
1	M500803	1.5HP MOTOR MONOPHASE 110/220V 60Hz	1.5	110/220	1	60

ITEM	CODE	DESCRIPTION
3	M501087	# B-47 RUBBER BELT
4	M571891	1.5HP MOTOR KIT ASSY. (295AI)
5	M572678	MOTOR BASE KIT ST295

SPARE PARTS MANUAL

Page 07
 KS-116 / KS-116-V2
 Section: Eelctric System



ITEM	CODE	DESCRIPTION	VOLTAGE
1	M500154	POWER CORD 3X14AWG,300V, 75°C UL	110
	M501194	POWER CORD 3X14AWG,300V, 75°C UL	220

ITEM	CODE	DESCRIPTION
2	M575025	COMPLETE SINGLE PHASE GENERAL INTERRUPTER
3	M571015	HARNESS KIT FOR ST295AI SINGLEPHASE
4	M553214	DISCONNECTOR-CONTROL BOX HARNESS 295, 305 (1F)
5	M502135	PUSH BUTTON BOX KIT

ITEM	CODE	DESCRIPTION	HP	VOLTAGE	PHASE	HZ
6	M507561	ELECTRICAL CONTROL BOX KS116, 110VAC, 60Hz	1.5	110	1	60
	M507562	ELECTRICAL CONTROL BOX KS116, 220VAC, 60Hz	1.5	220	1	60