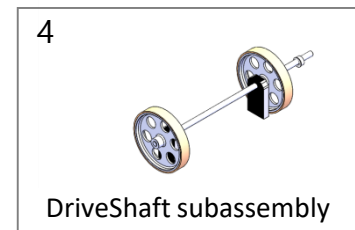
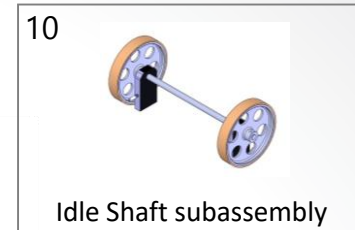
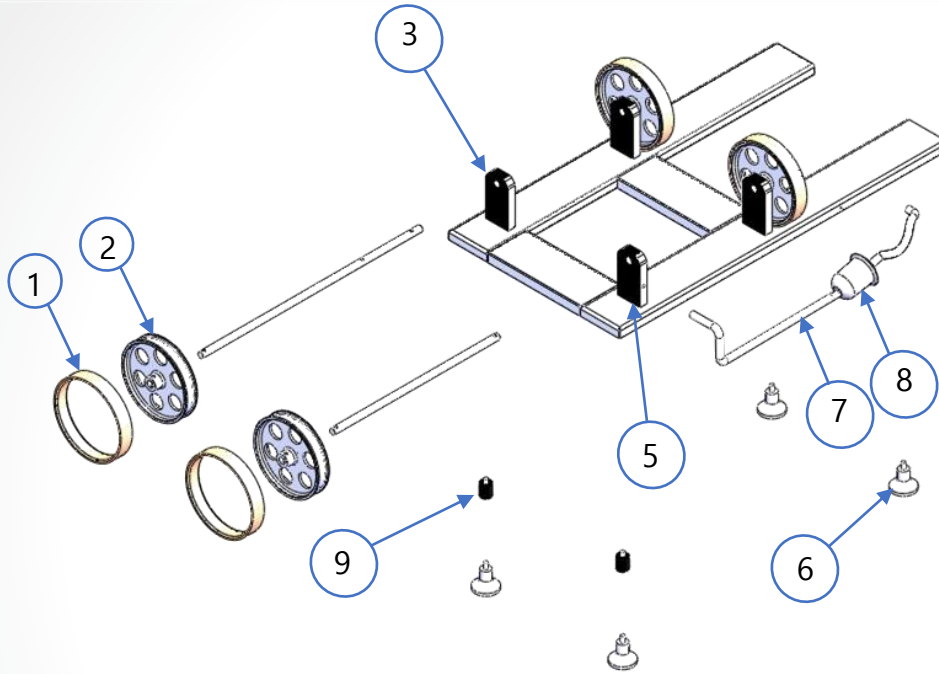
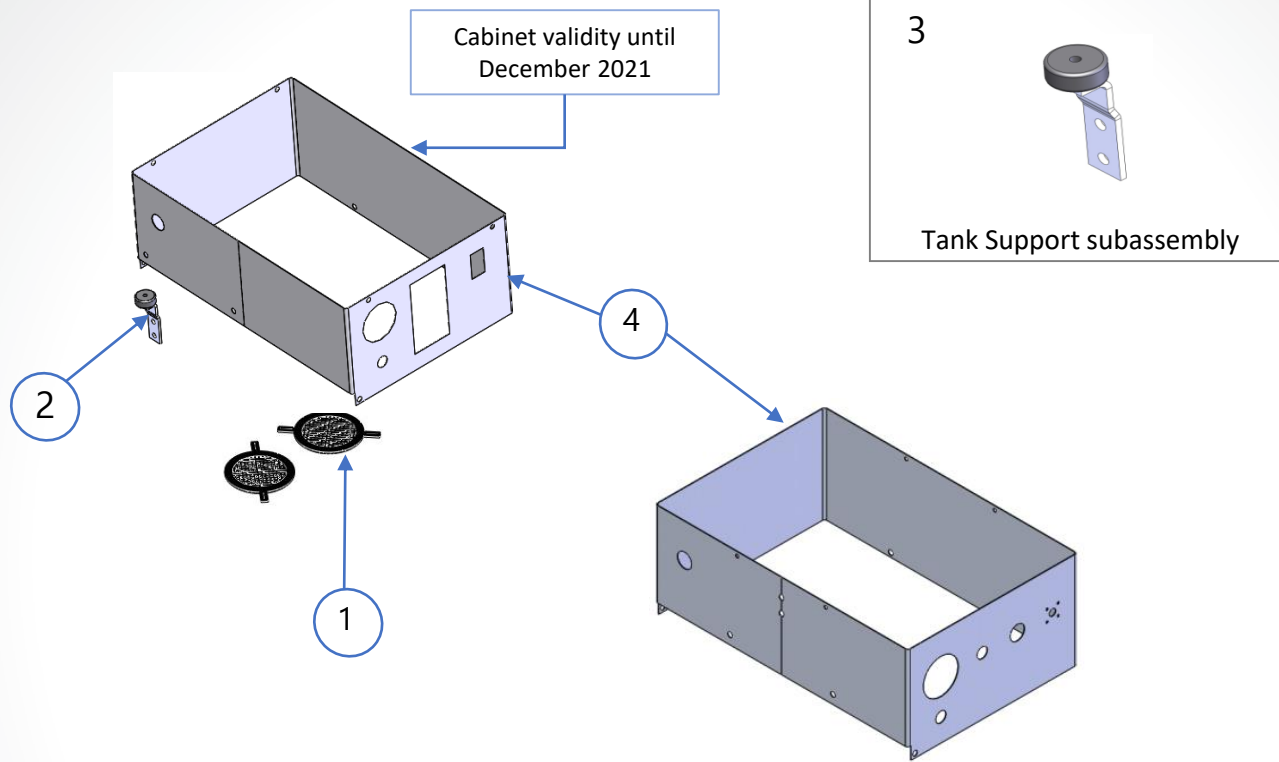


### SPARE PARTS MANUAL

Page 01  
**KMV-25**  
 Section: Chasis



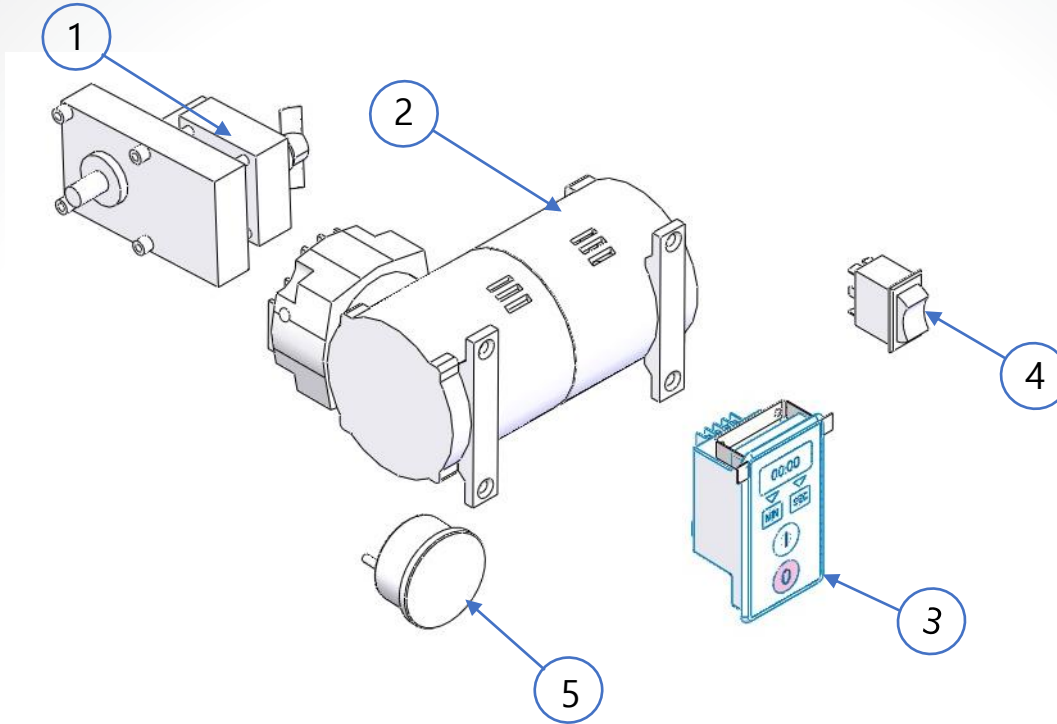
ITEM	CODE	DESCRIPTION
1	M506633	RUBBER COATING FOR WHEEL 5X1
2	M506673	POLYPROPYLENE WHEEL OF 5 3/4 KMV25
3	M506661	SHAFT SUPPORT KMV25
4	M550091	DRIVE SHAFT SUBASSEMBLY
5	M506662	SHAFT AND HOSE SUPPORT KMV25
6	M503434	RUBBER PLUG-PAD 5/16"
7	M506621	1/4 HATCHED HOSE KMV25
8	M506622	AIR FILTER
9	M506674	HEIGHT RUBBER INCREASE FOR KMV25
10	M550090	IDLE SHAFT SUBASSEMBLY



ITEM	CODE	DESCRIPTION
1	M500325	BASE CAP
2	M503125	SPACER FOR TANK SUPPORT
3	M556909	TANK SUPPORT SUBASSEMBLY FOR KMV257
4	M577079	CABINET KMV25 (Updated Design from HB-01296)

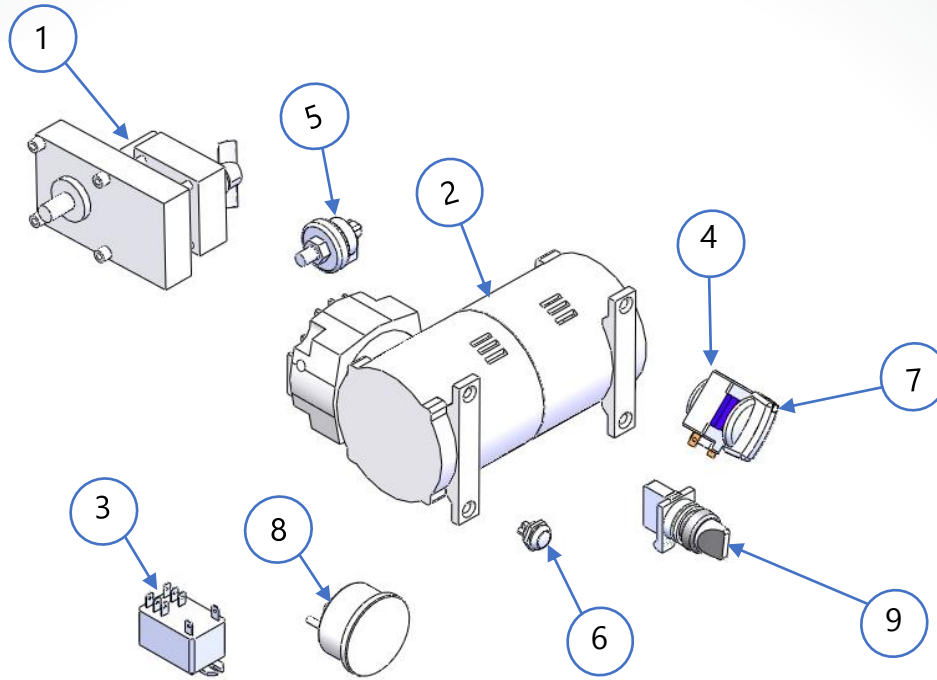
## SPARE PARTS MANUAL

Page 03  
**KMV-25**  
 Section: Electrical system



ITEM	CODE	DESCRIPTION
1	M506616	GEAR MOTOR FOR 110V
2	M506619	VACUUM PUMP FOR 110V
3	M506617	DIGITAL TIMER 110V, 50/60 Hz <sup>(1)</sup>
4	M506618	SWITCH FOR KMV25 <sup>(1)</sup>
5	M506620	VACUUMETER FOR KMV25

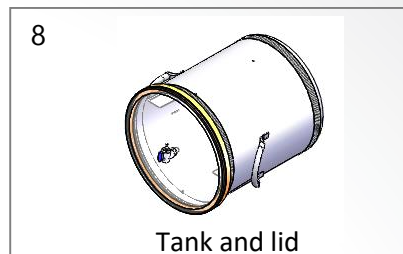
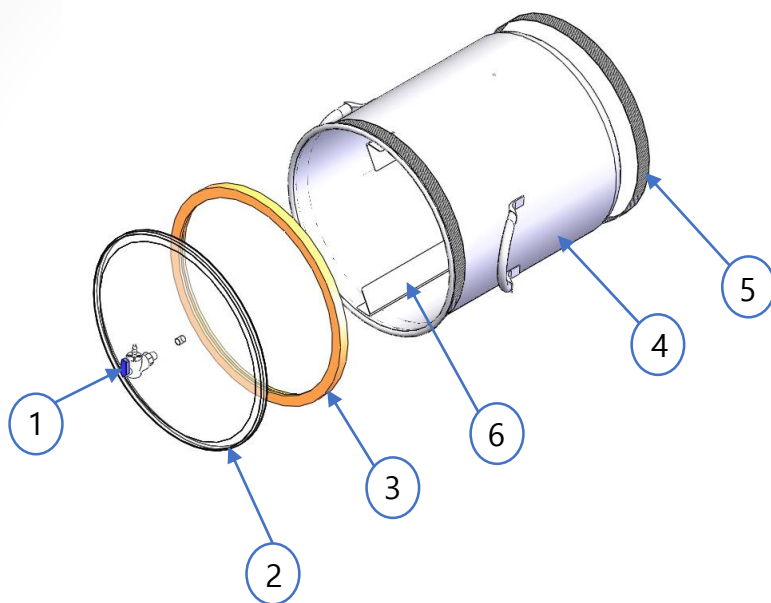
(1) Validity of Spare Parts until December 2021



ITEM	CODE	DESCRIPTION
1	M506616	GEAR MOTOR FOR 110V
2	M506619	VACUUM PUMP FOR 110V
3	M501243	CONTROL RELEY 120 VAC
4	M507604	TIMER DKJ-Y60
5	M507603	VACUUM SWITCH NC 1/8 NPT, 575 mbar
6	M507589	PUSH BOTTON CONTACT N.O. 16mm
7	M507588	KNOB FOR TIMER FOR KMV25
8	M506620	VACUUMETER FOR KMV25
9	M507323	3 POSITION SWITCH, 2 N.C. CONTACTS

## SPARE PARTS MANUAL

Page 05  
**KMV-25**  
Section: Tank



ITEM	CODE	DESCRIPTION
1	M506636	VALVE PVC ¼ NPT x ¼ SMC 6577090
2	M537373	LID FOR TANK KMV25
3	M506635	ORANGE O-RING GASKET NBR FDA
4	M550088	TANK KMV25
5	M500876	SKID TAPE KIT 1"
6	M575422	DEFLECTING PADDLE
7	M570579	LID AND PVC VALVE KIT FOR KMV25
8	M551024	TANK AND LID KIT FOR KMV25