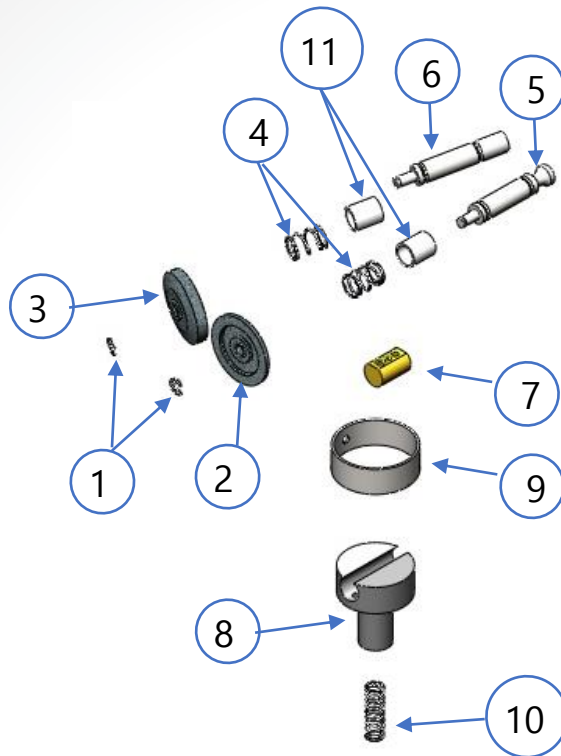


SPARE PARTS MANUAL

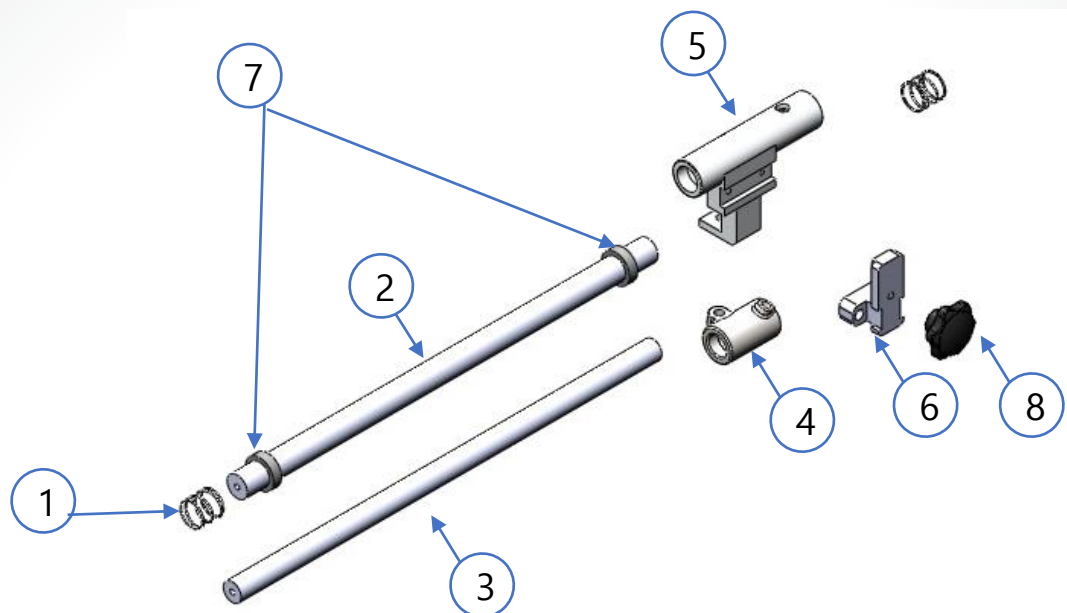
Page 01
KMS-12
Section: Sharpener System



ITEM	CODE	DESCRIPTION
1	M500280	SHAFT RETAINER # 5133-31
2	M570541	TRUING WHEEL ASSY (R-300\A) (REF 96)
3	M502177	WHETSTONE FOR KMS-KAMS
4	M501544	SPRING FOR SHAFT OF SHARPENER (KMS-KAMS)
5	M570134	SHAFT TRUING WHEEL (KMS-KAMS)
6	M570136	SHAFT GRINDING WHEEL (KMS-KAMS)
7	M570398	BRASS CYLINDER R-300A
8	M570323	ZAMAK ROD (KMS12)
9	M533000	S.S. RING
10	M501546	SPRING ROD
11	M500131	BRONZE BUSHING #4258
12	M571934	SHARPENER ASSY. (KMS12)

SPARE PARTS MANUAL

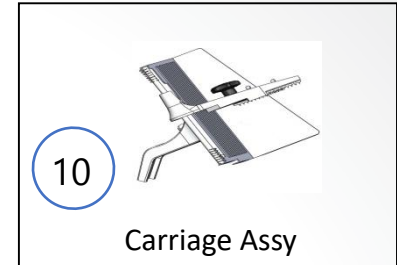
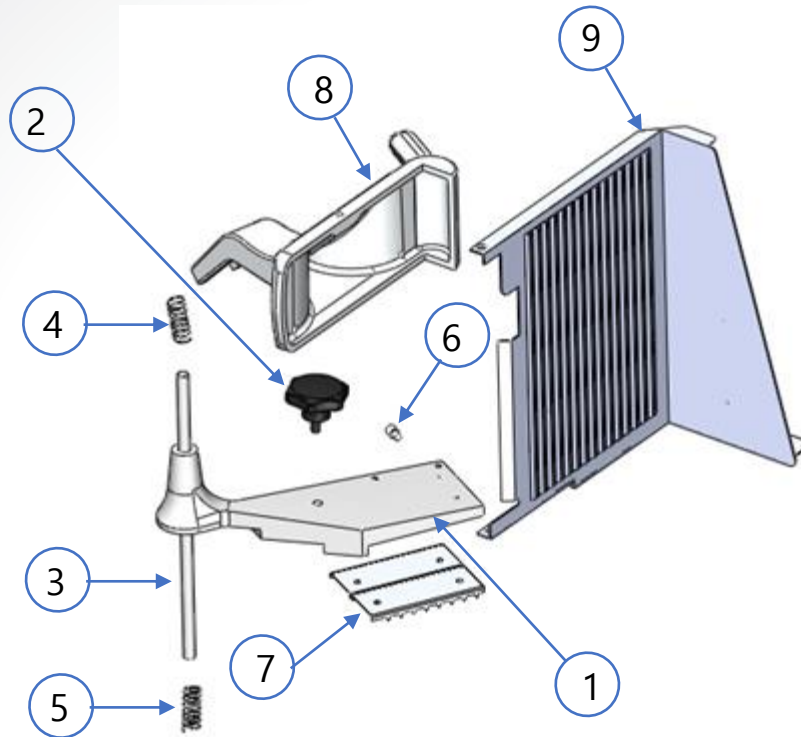
Page 02
KMS-12
Section: Bushing System



ITEM	CODE	DESCRIPTION
1	M501543	SPRING BUMPER (KMS-KAMS)
2	M571921	UPPER CARRIAGE BUSHING SLIDE ROD (KMS12)
3	M571922	LOWER CARRIAGE BUSHING SLIDE ROD (KMS12)
4	M570341	LOWER CARRIAGE BUSHING
5	M570344	UPPER CARRIAGE BUSHING
6	M571923	SUPPORT FOR CARRIAGE SUPPORT (KMS12)
7	M500336	RUBBER BUMPER
8	M506930	KNOB FOR CARRIAGE SUPPORT

SPARE PARTS MANUAL

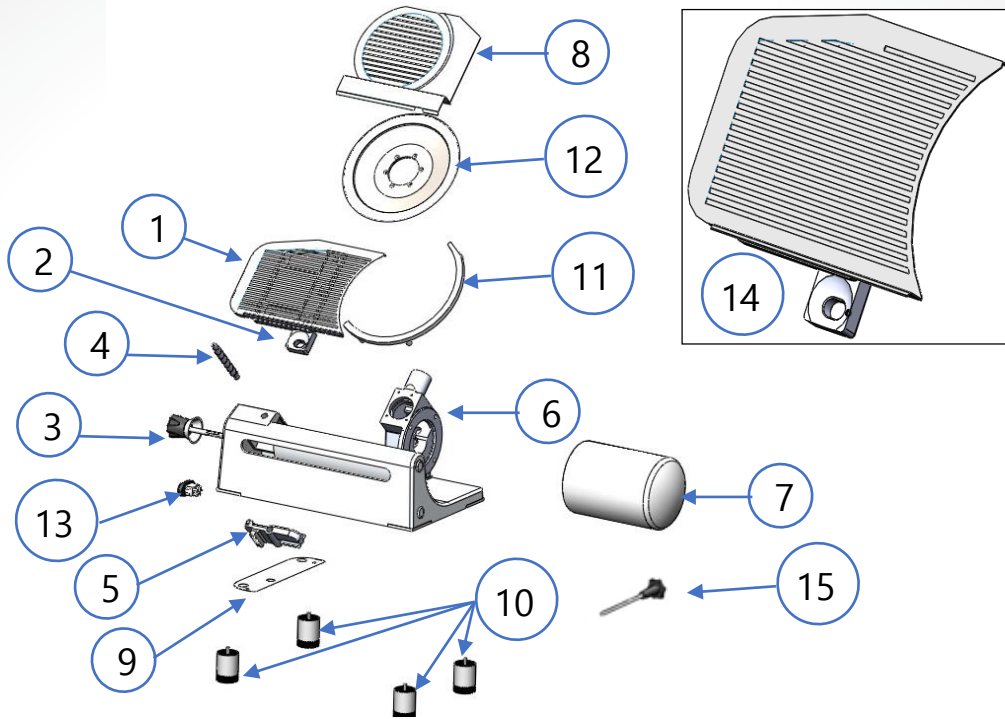
Page 03
KMS-12
Section: Carriage



ITEM	CODE	DESCRIPTION
1	M571380	KNOB FOR CARRIAGE SUPPORT
2	M500092	HANDLE KIT (RB, SS)
3	M570184	MEAT GRIP ASSY. (KDS10)
4	M501550	SPRING BUMPER (S.S.)
5	M501545	NYLON BUMPER
6	M500332	KNOB 3/8" (R-300A, RB-250\300) (REF 96)
7	M572230	HOOK KIT
8	M571417	SLIDE ROD FOR MEAT GRIP (KDS10)
9	M571173	CARRIAGE, SOCKET SET SCREWS, & BOLTS
10	M571932	CARRIAGE KIT

SPARE PARTS MANUAL

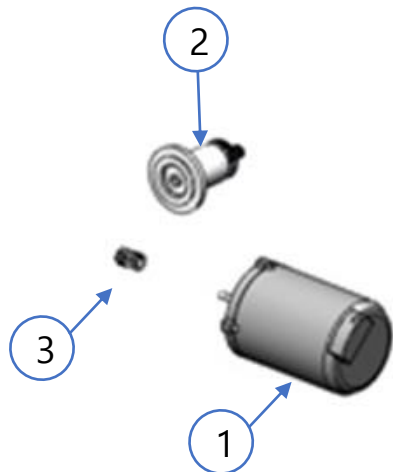
Page 04
KMS-12
Section: Gauge Plate



ITEM	CODE	DESCRIPTION
1	M571174	GAUGE PLATE (KMS12)
2	M571418	GAUGE PLATE SUPPORT (KMS12)
3	M502208	INDEXING KNOB (KMS)
4	M570156	GAUGE GUIDE BOLT (KMS)
5	M571423	INDEXING REGULATOR (KMS)
6	M571938	TRANSMISSION BOX KIT (KMS, KAMS)
7	M573213	MOTOR GUARD ASSY (KMS)
8	M571935	PLATE KNIFE GUARD (KMS12) ASSY.
9	M571925	DEFLECTOR & BOLTS (KMS12)
10	M503465	RUBBER FOOT (KMS12)
11	M571671	KNIFE GUARD (KMS12)
12	M501470	KNIFE (KMS12)(300mm)
13	M503481	SWITCH 0401/TTR RED B142/GREEN B143 (R300A,RB250,RB300,SS275,LM,LP)
14	M571936	GAUGE PLATE ASSY. (KMS12)
15	M532908	PLATE KNOB (KMS, KAMS)

SPARE PARTS MANUAL

Page 05
KMS-12
Section: Motor System



ITEM	CODE	DESCRIPTION	HP	VOLTAGE	PHASES	HZ
1	M571927	1/3HP MOTOR KIT (110VAC)	1/3	110	1	60

ITEM	CODE	DESCRIPTION
3	M571931	BEARING HOUSING (KMS12) ASSY.
4	M571152	WORM, KEY & NUT (KMS, KAMS)