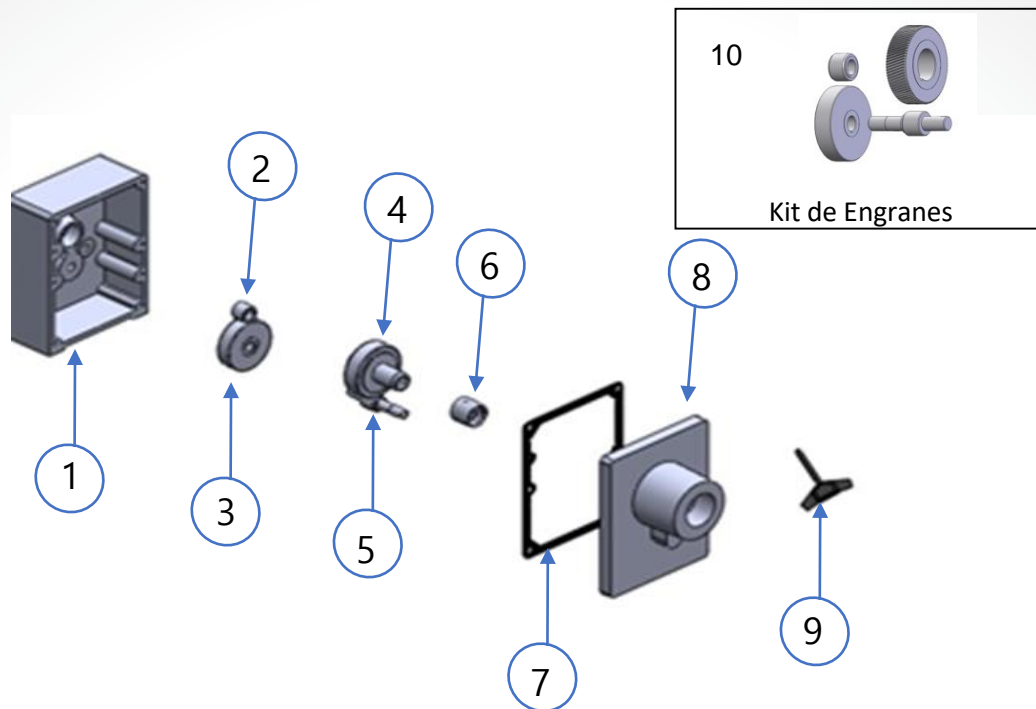


## SPARE PARTS MANUAL

Page 01

**KG-32**

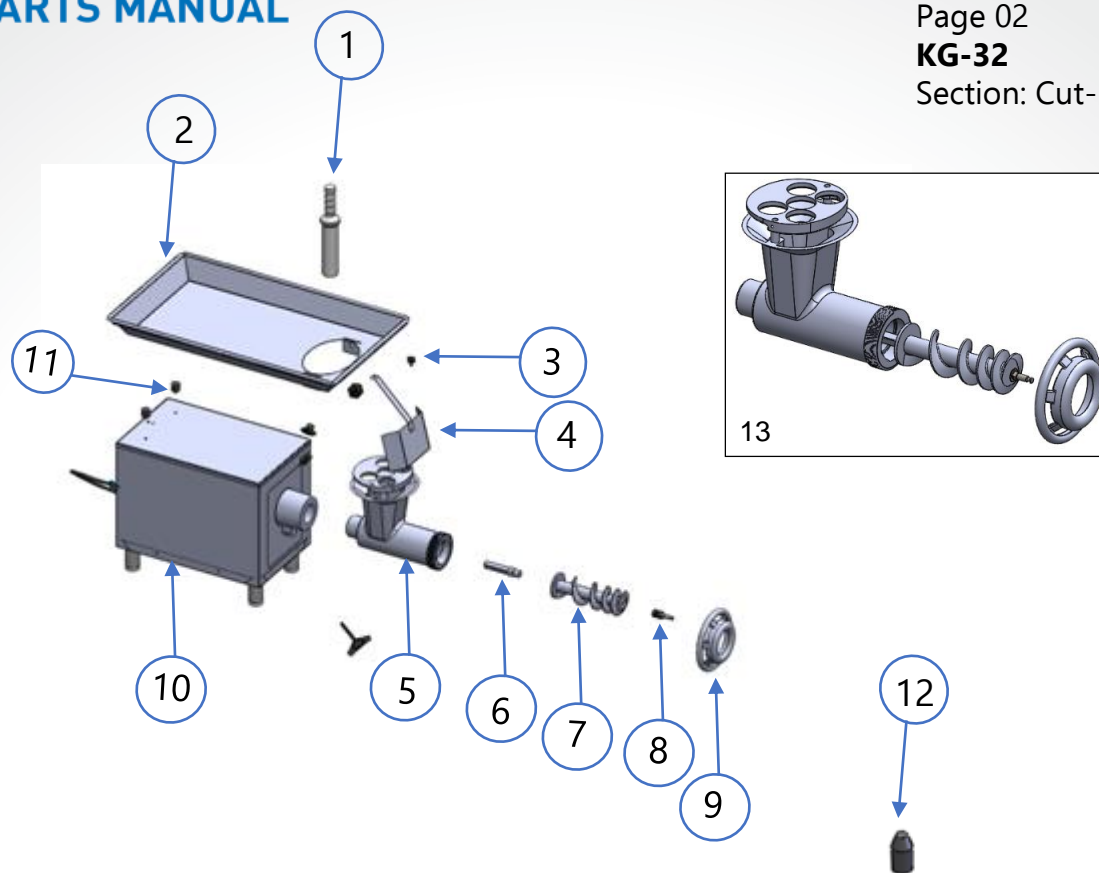
Section: Transmission System



ITEM	CODE	DESCRIPTION
1	M570496	GEAR BOX KIT
2	M570223	GEAR (PINION)
3	M570224	GEAR (FLAT)
4	M571913	SQUARE GEAR KIT
5	M570222	DOUBLE ROD GEAR
6	M570396	BRONZE CHUMACERA
7	M500147	GASKET
8	M570503	GEAR COVER KIT
9	M507692	HEAD KNOB
10	M571045	KIT GEAR

## SPARE PARTS MANUAL

Page 02  
**KG-32**  
Section: Cut- System



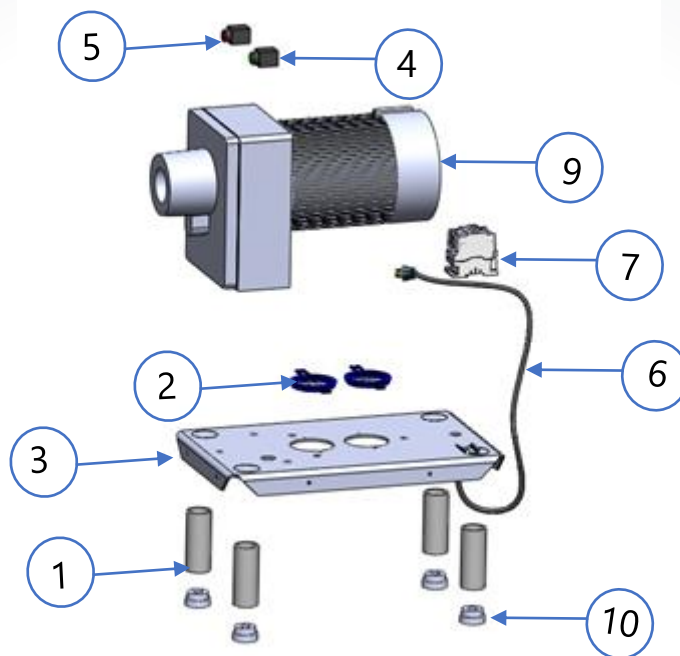
ITEM	CODE	DESCRIPTION
1	M501607	STOMPER
2	M571591	TRAY S.S.
3	M532573	DEFLECTOR KNOB
4	M572578	DEFLECTOR
5	M572562	HEADSTOCK ASSY
6	M530207	REAR ROD
7	M537005	FEED SCREW (WORM)
8	M530203	FRONT ROD
9	M537004	HEADSTOCK RING
10	M570498	CASE AND THERMIC-ISOLATING ASSY
11	M500335	RUBBER
12	M501572	GREASE ALIPLIX C2 FOOD GRADE
13	M576933	GRINDING UNIT

## SPARE PARTS MANUAL

Page 03

**KG-32**

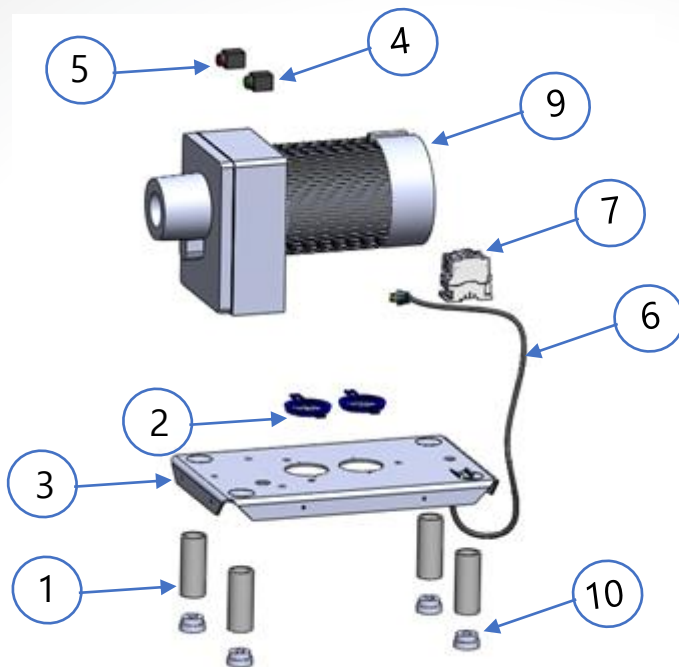
Section: Electrical-System  
Single phase version



ITEM	CODE	DESCRIPTION
1	M571407	ALUMINIUM LEG
2	M503117	BASE LID
3	M570494	BASE
4	M502264	SWITCH BUTTON GREEN
5	M502263	SWITCH BUTTON RED
6	M503338	CABLE SJT 3X14AWG, 300V,75° UL(B-N-R)
7	M507638	CONTACTOR ABB AF26-30-00-13 100-250V
8	M507598	THERMAL RELAY (Not shown)
9	M503168	MOTOR 3HP,M,115/230,4P,60,C,LEE132005.0
10	M500333	BUMPER (RUBBER)

## SPARE PARTS MANUAL

Page 03  
**KG-32**  
 Section: Electrical-System  
 Three phase version



ITEM	CODE	DESCRIPTION
1	M571407	ALUMINIUM LEG
2	M503117	BASE LID
3	M530434	BASE
4	M502264	SWITCH BUTTON GREEN
5	M502263	SWITCH BUTTON RED
6	M572708	SJT POWER CORD (4X14AWG)
7	M507640	CONTACTOR ABB AF12-30-00-13 100-250V
8	M507595	THERMAL RELAY (Not shown)
9	M503169	MOTOR 3HP,T,230/440,4P,50/60,C,LEE132004
10	M500335	BUMPER (RUBBER)