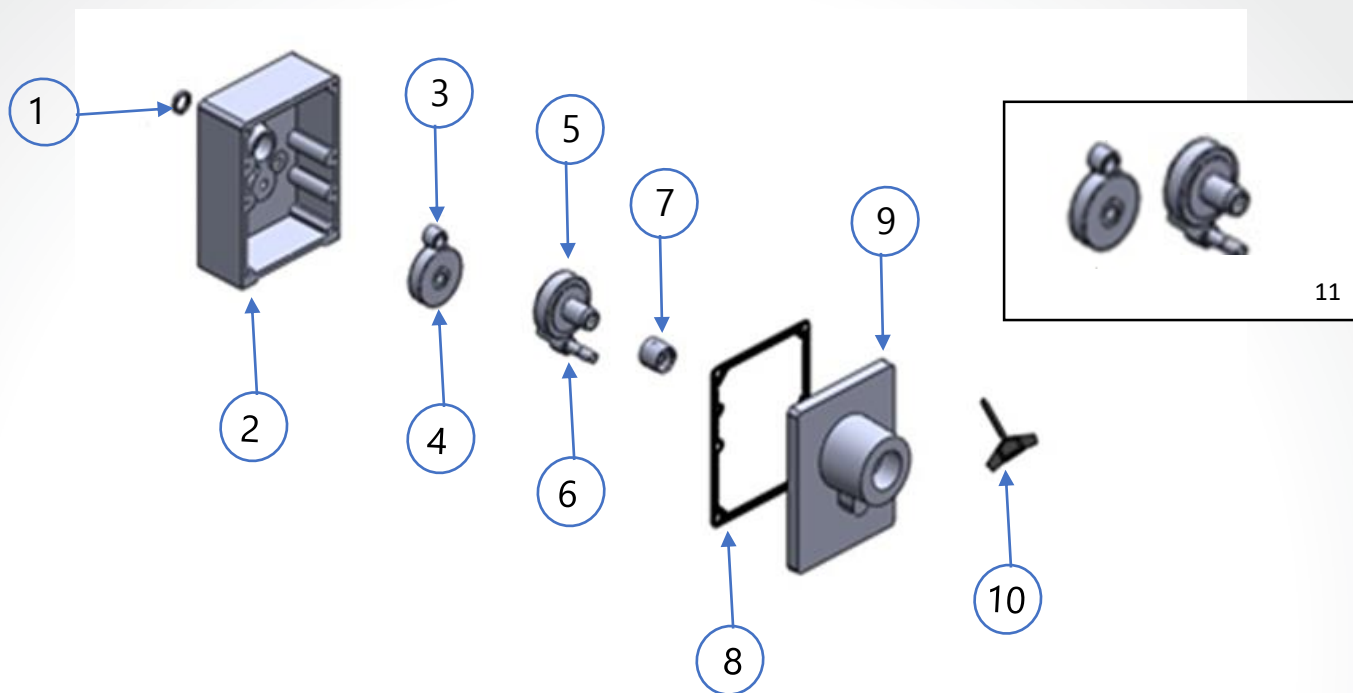


SPARE PARTS MANUAL

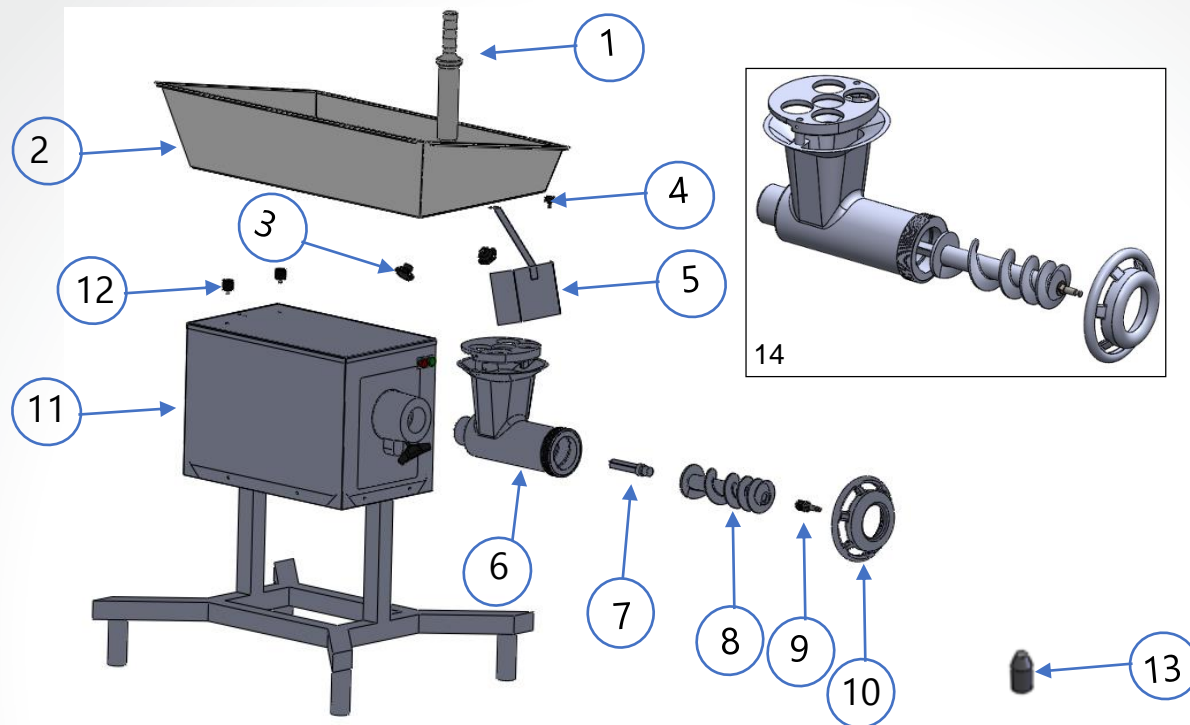
Page 01
KG-32-XP
 Section: Trasmission System



ITEM	CODE	DESCRIPTION
1	M500187	SEAL #11081 (11065)
2	M570496	GEAR BOX KIT
3	M570223	GEAR (PINION)
4	M570327	GEAR (FLAT)
5	M570226	SQUARE GEAR KIT
6	M570322	DOUBLE ROD GEAR
7	M570396	BRONZE CHUMACERA
8	M500147	GASKET
9	M570503	GEAR COVER KIT
10	M507692	HEAD KNOB
11	M571045	KIT GEAR

SPARE PARTS MANUAL

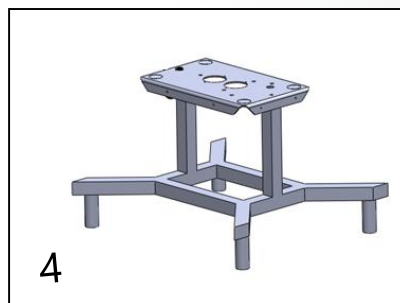
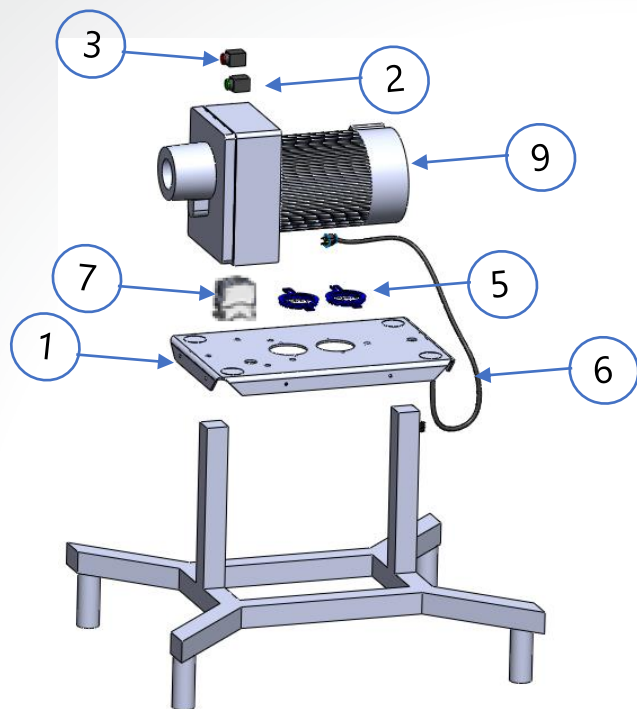
Page 02
KG-32-XP
Section: Cut-System



ITEM	CODE	DESCRIPTION
1	M501607	STOMPER
2	M572665	TRAY S.S
3	M507692	HEAD KNOB
4	M532573	DEFLECTOR KNOB
5	M572578	DEFLECTOR
6	M572562	HEADSTOCK ASSY
7	M570207	REAR ROD
8	M572557	FEED SCREW (WORM)
9	M530203	FRONT ROD
10	M537004	HEADSTOCK RING
11	M570498	CASE AND THERMIC-ISOLATING ASSY
12	M500335	BUMPER (RUBBER)
13	M501572	GREASE ALIPLIX C2 FOOD GRADE 60 G
14	M576933	GRINDIN UNIT

SPARE PARTS MANUAL

Page 03
KG-32-XP
 Section: Electrical-System



ITEM	CODE	DESCRIPTION
1	M532841	BASE
2	M502264	SWITCH BUTTON GREEN
3	M502263	SWITCH BUTTON RED
4	M573209	BASE SUPPORT
5	M503117	BASE LID
6	M572708	SJT POWER CORD (4X14AWG)
7	M507639	CONTACTOR AF16-30-10-13 100-250V
8	M507597	THERMAL RELAY
9	M503170	MOTOR 5 HP,T,230/440,4P,60,C,LEE 132006.