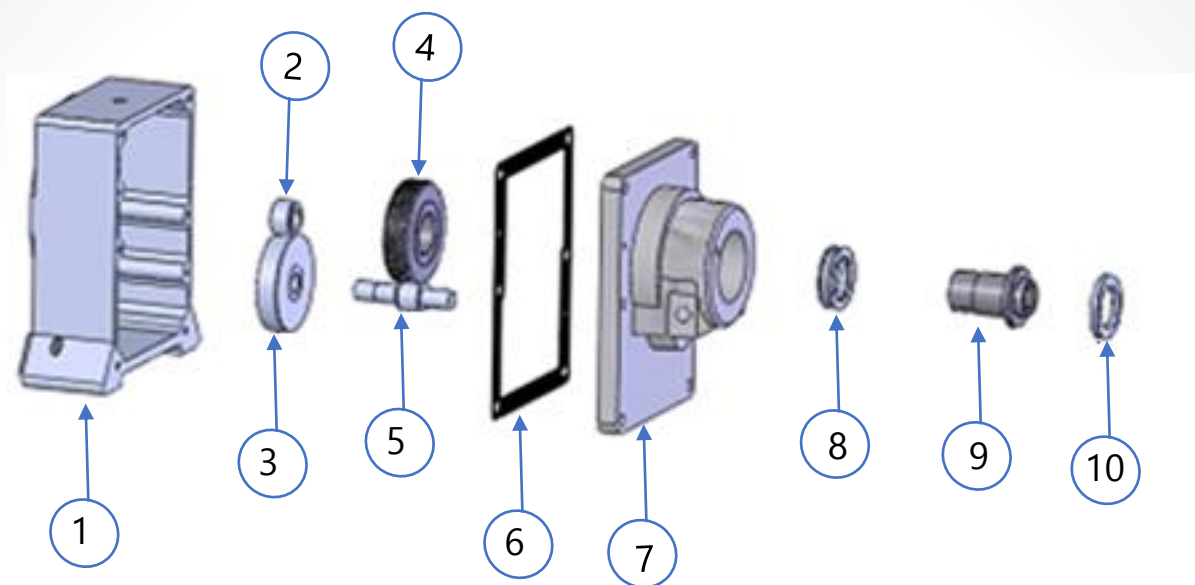


### SPARE PARTS MANUAL

Page 01

**KG-22W-SS**

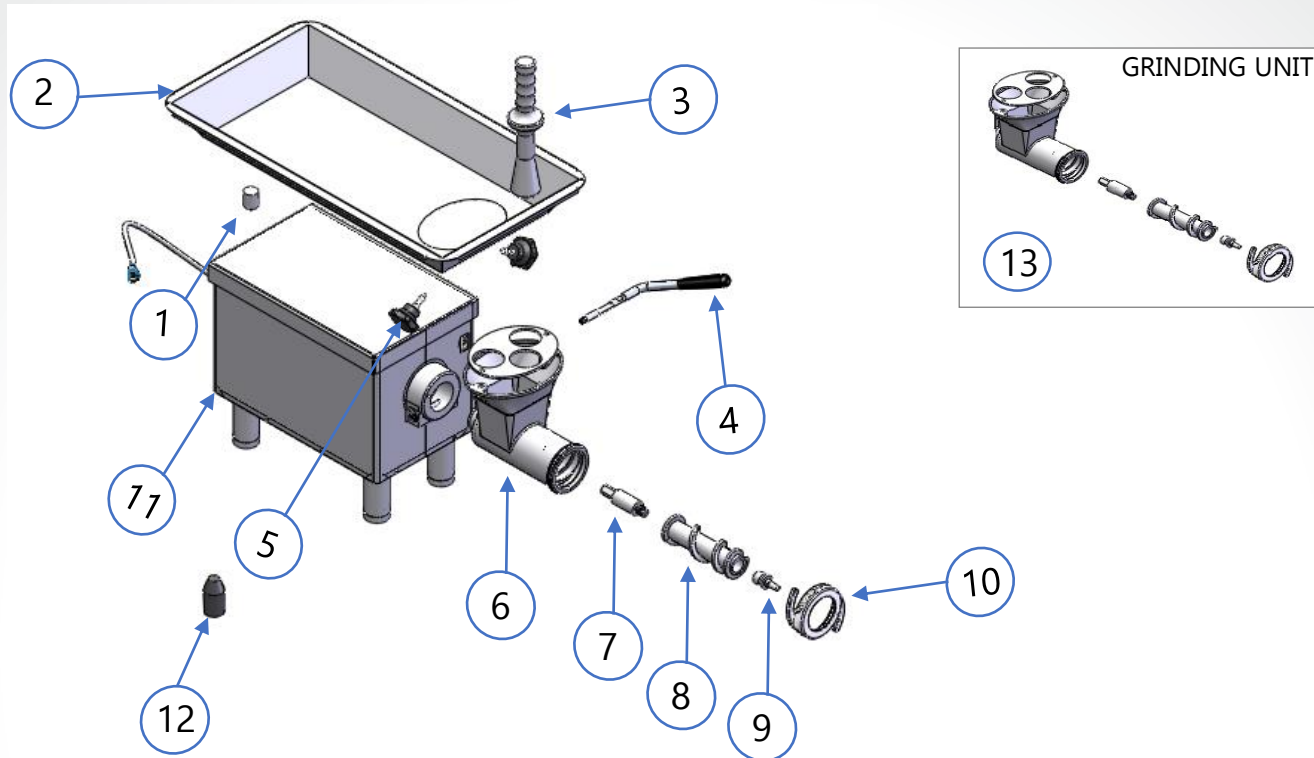
Section: Transmission System



ITEM	CODE	DESCRIPTION
1	M570605	GEAR BOX KIT
2	M570193	GEAR (PINION)
3	M570567	GEAR (FLAT)
4	M575643	GEAR FOR SQUARED INNER COUPLIN 60 HZ
5	M572180	DOUBLE SHAFT GEAR 60 HZ
6	M500146	GASKET
7	M577066	GEAR COVER KIT
8	M506571	AXIAL BALL BEARING 51107
9	M575642	SQUARED INNER COUPLING FOR GEAR
10	M506572	SEAL #12545

## SPARE PARTS MANUAL

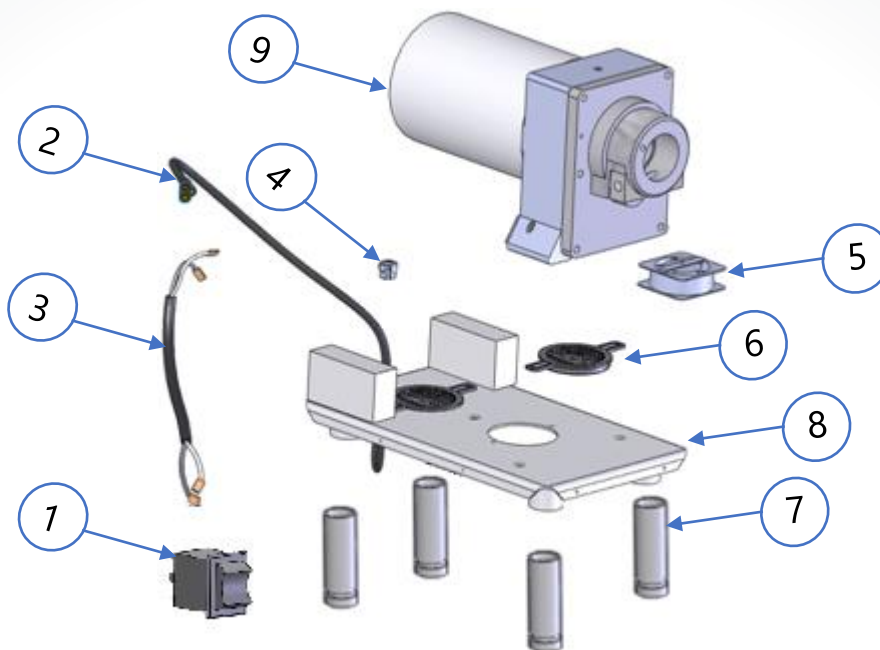
Page 02  
**KG-22W-SS**  
 Section: Cut System



ITEM	CODE	DESCRIPTION
1	M530335	BUMPER (RUBBER)
2	M571576	TRAY S.S.
3	M501794	STOMPER
4	M572413	HANDLE AND ACORN NUT
5	M502270	KNOB
6	M577115	HEADSTOCK ASSY
7	M577070	REAR ROD
8	M500695	FEED SCREW (WORM)
9	M536958	FRONT ROD
10	M500696	HEADSTOCK RING
11	M572690	CASE AND THERMIC-ISOLATING ASSY
	M575299	CASE AND THERMIC-ISOLATING ASSY. (2 HP VERSION)
12	M501572	GREASE ALIPLIX C2 FOOD GRADE
13	M577419	GRINDING UNIT

### SPARE PARTS MANUAL

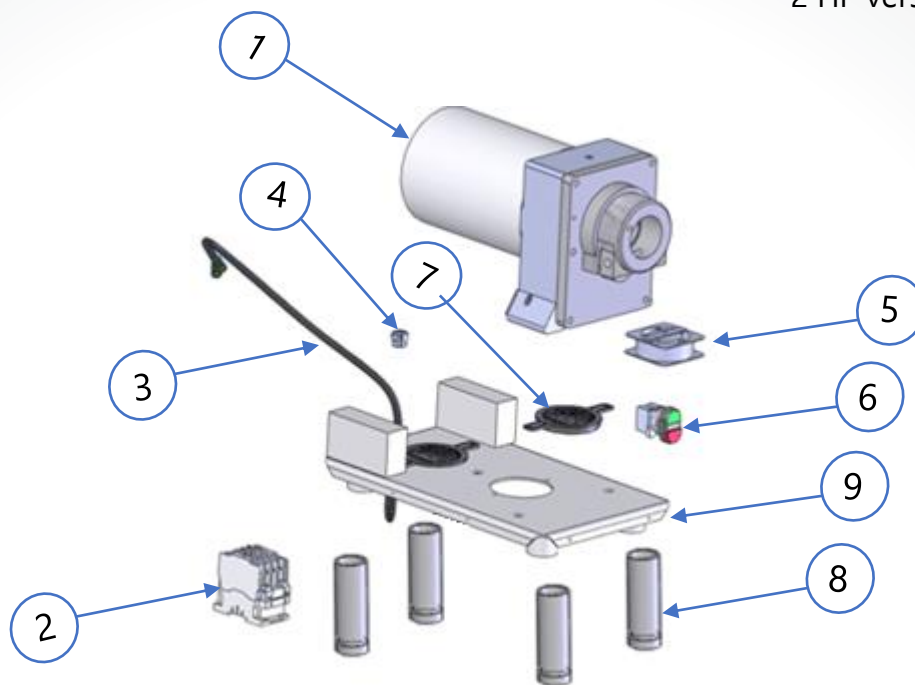
Page 03  
**KG-22W-SS**  
 Section: Electrical System  
 1 HP version



ITEM	CODE	DESCRIPTION
1	M501802	SWITCH BUTTON
2	M500154	UL POWER CORD
3	M500850	2 x 14 SJT UL APP CABLE W/HARNESS
4	M500799	GROMMET
5	M501291	FAN 115VCA
6	M503117	BASE LID
7	M571407	4 3/4" ALUMINIUM LEG
8	M531748	BASE
9	M503927	MOTOR 1 HP,M,115/220,4P,60,C

### SPARE PARTS MANUAL

Page 04  
**KG-22W-SS**  
 Section: Electrical System  
 2 HP version



ITEM	CODE	DESCRIPTION
1	M507398	MOTOR 2HP,M,220,4P,60,C
2	M504848	CONTACTOR 220
3	M500154	3X14AWG,300V, 75°C UL CABLE W/ARNES
4	M500799	GROMMET
5	M501534	230 VCA AXIAL FAN
6	M502260	DOUBLE BUTTON
7	M503117	BASE LID ASSY.
8	M571407	3/4" ALUMINIUM LEG
9	M531748	BASE AND BASE LID ASSY.