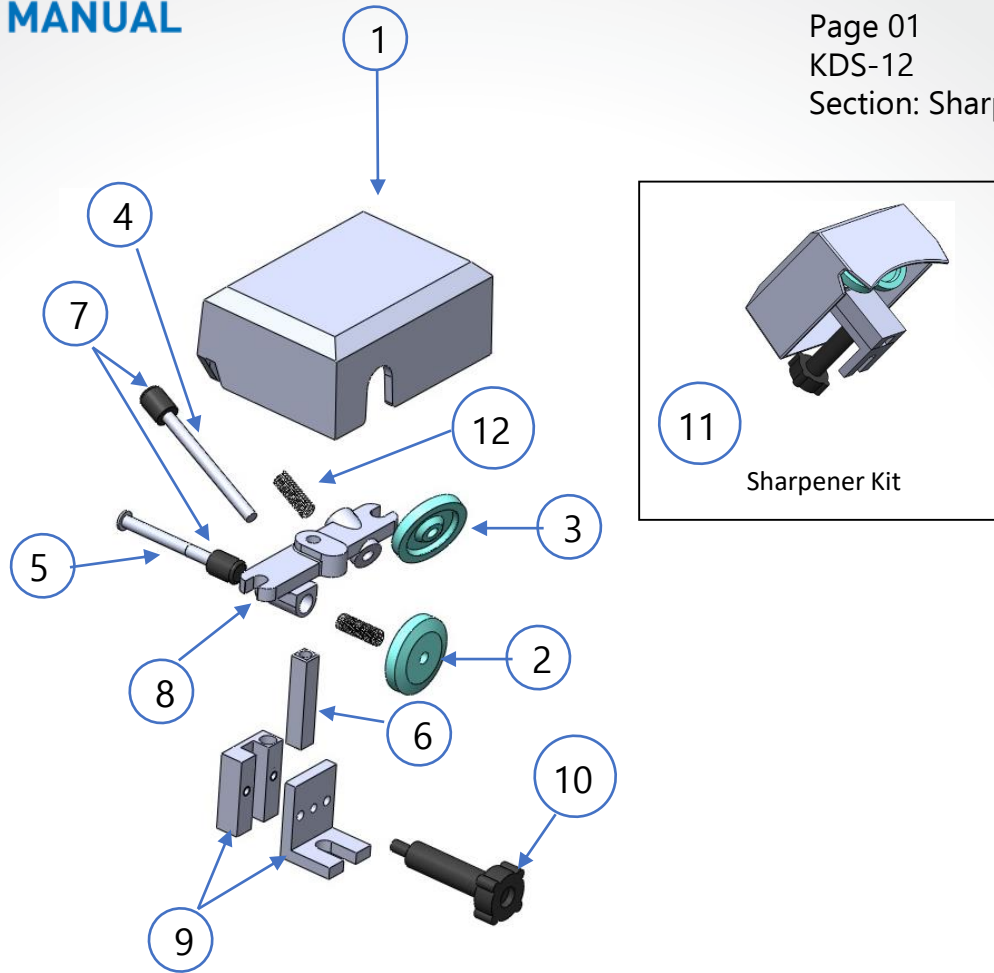


SPARE PARTS MANUAL

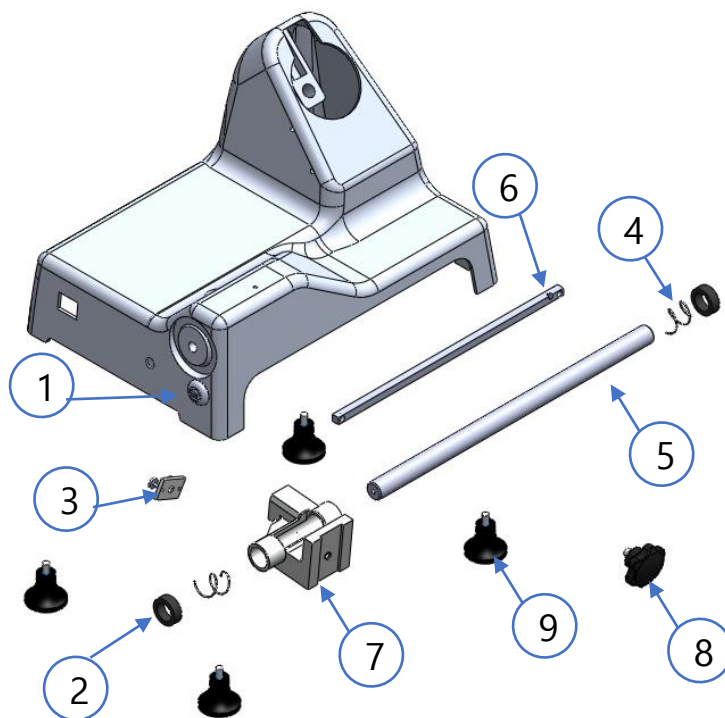
Page 01
KDS-12
Section: Sharpener System



| ITEM | CODE | DESCRIPTION |
|------|---------|---|
| 1 | M571442 | SHARPENER BOX (KDS) |
| 2 | M571943 | WHEEL GRINDING & NUTS (KDS-KSDS) |
| 3 | M501942 | WHEEL TRUING & NUTS (KDS-KSDS) |
| 4 | M570950 | SHAFT TRUING WHEEL (KDS-KSDS) |
| 5 | M570949 | SHAFT GRINDING WHEEL (KDS-KSDS) |
| 6 | M573304 | SHARPENER COLUMN & SCREW (KDS12, KSDS12) |
| 7 | M500933 | SHAFT KNOB (KDS-KSDS) |
| 8 | M571944 | CROSSBAR FOR SHARPENER KIT |
| 9 | M570005 | SHARPENER SUPPORT ASSY |
| 10 | M506929 | SHARPENER SUPPORT KNOB (RB-250, RB-300, SS-275) |
| 11 | M500002 | KNIFE SHARPENER KIT (RB300) |
| 12 | M500933 | SHAFT KNOB (KDS-KSDS) |

SPARE PARTS MANUAL

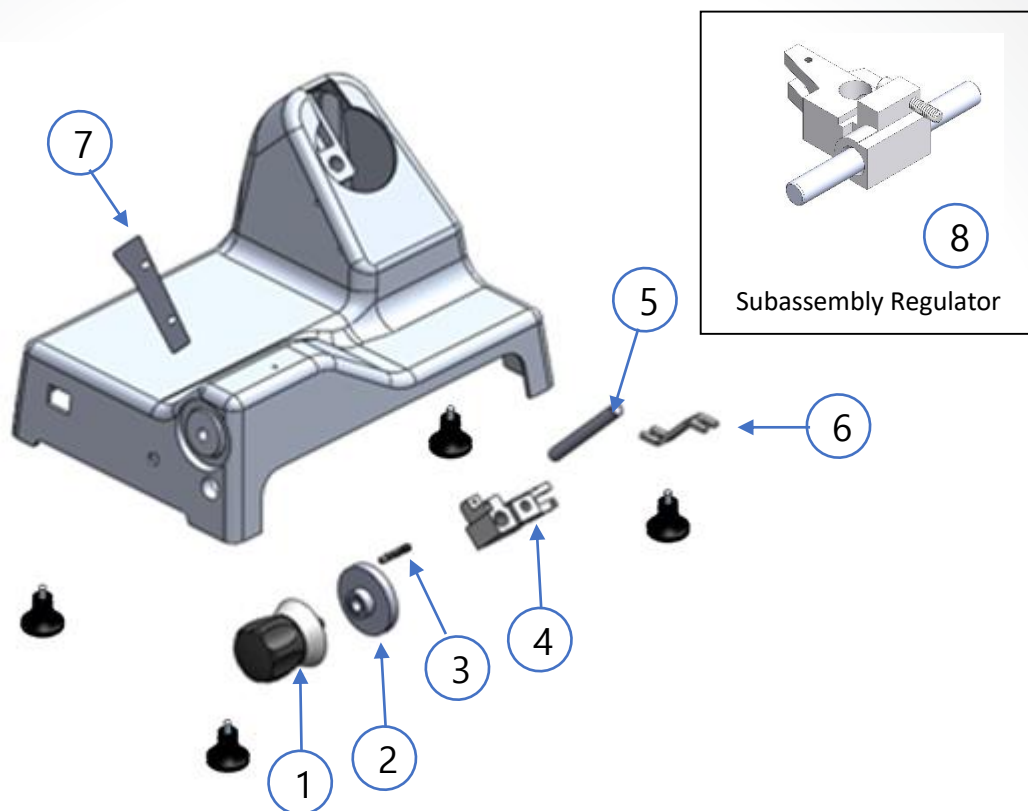
Page 02
KDS-12
Section: Bushing System



| ITEM | CODE | DESCRIPTION |
|------|---------|---|
| 1 | M571948 | FORM WASHER & BOLT |
| 2 | M500931 | RUBBER BUMPER (RB-250, RB-300, SS-275) |
| 3 | M573309 | BEAR BASE ASSY RB250/300 |
| 4 | M500937 | SPRING BUMPER (KDS-KSDS) |
| 5 | M570898 | SLIDE ROD FOR CARRIAGE BUSHING (KDS) |
| 6 | M571025 | STABILIZING SLIDE ROD (KDS) |
| 7 | M571583 | CARRIAGE BUSHING ASSY. (RB-250, RB-300) |
| 8 | M506930 | KNOB FOR CARRIAGE SUPPORT |
| 9 | M503434 | RUBBER PLUG-PAD 5/16" |

SPARE PARTS MANUAL

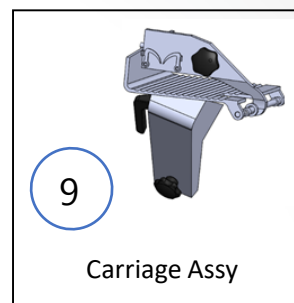
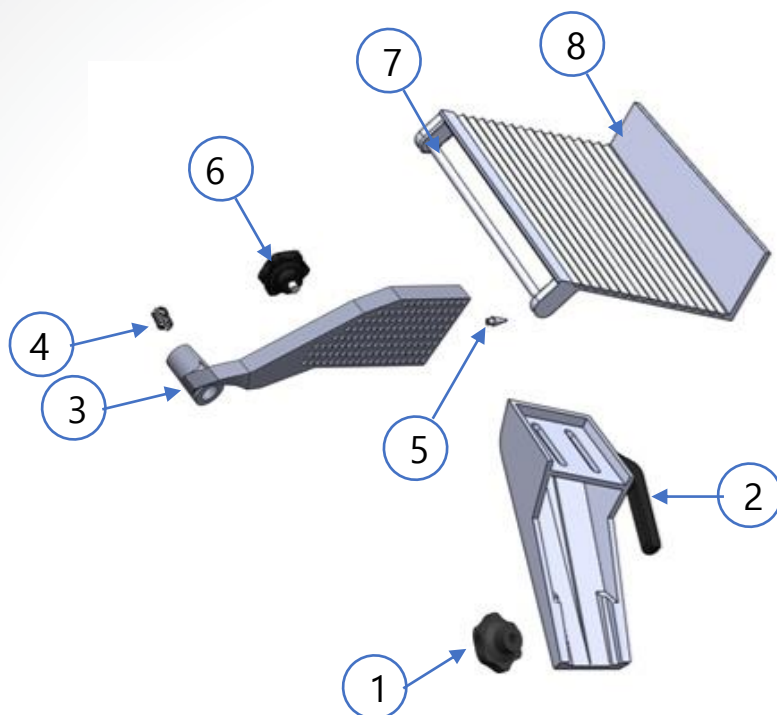
Page 03
KDS-12
Section: Chassis



| ITEM | CODE | DESCRIPTION |
|------|---------|---|
| 1 | M502209 | INDEXING KNOB SUB-ASSY (RB-250, RB-300) |
| 2 | M570900 | GAUGE LEVY RB250 |
| 3 | M571946 | FOLLOWER PIN AND NUT |
| 4 | M570931 | INDEXING REGULATOR (KDS12) |
| 5 | M570948 | GAUGE GUIDE BOLT (KDS) |
| 6 | M570958 | LEVELING PLATE (KDS) |
| 7 | M570060 | DEFLECTOR & BOLTS |
| 8 | M570061 | THICKNESS REGULATOR ASSY |

SPARE PARTS MANUAL

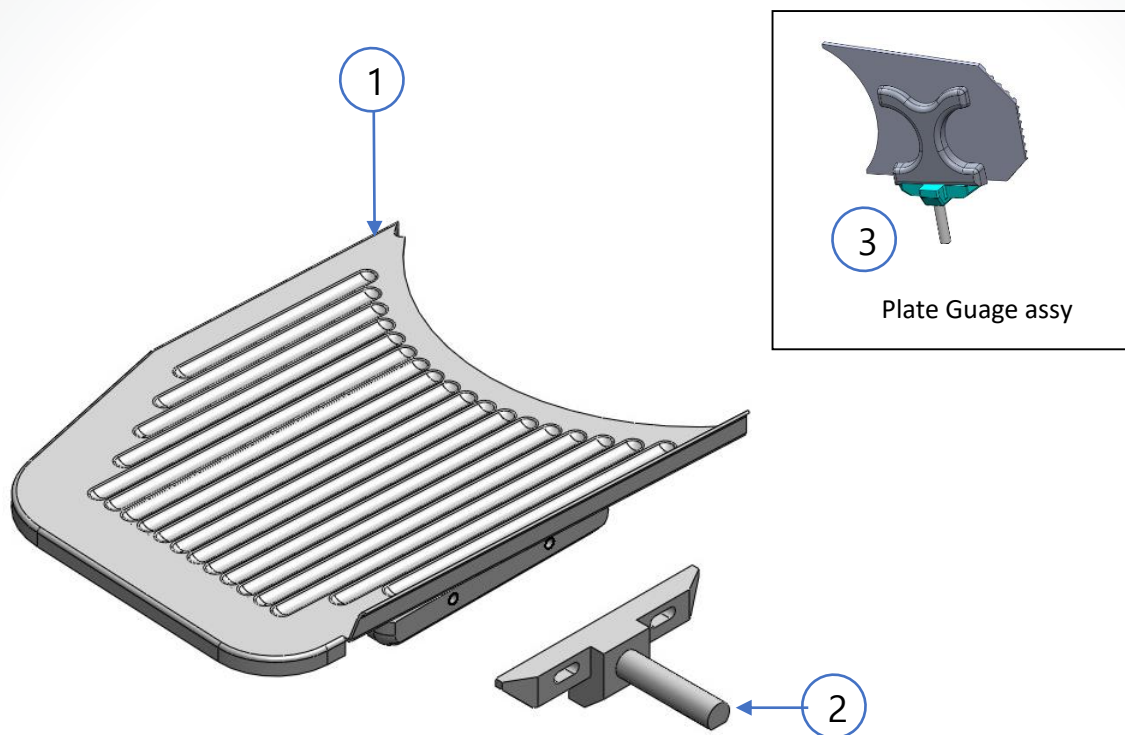
Page 04
KDS-12
Section: Carriage



| ITEM | CODE | DESCRIPTION |
|------|---------|---|
| 1 | M506930 | KNOB FOR CARRIAGE SUPPORT |
| 2 | M531159 | HANDLE KIT (RB, SS) |
| 3 | M570062 | MEAT GRIP ASSY. |
| 4 | M501788 | SPRING BUMPER (S.S.) |
| 5 | M500332 | NYLON BUMPER |
| 6 | M500092 | KNOB 3/8" (R-300A, RB-250\300) (REF 96) |
| 7 | M501550 | UPPER SPRING |
| 8 | M570074 | CARRIAGE SUPPORT (KDS12) |
| 19 | M570072 | CARRIAGE KIT |

SPARE PARTS MANUAL

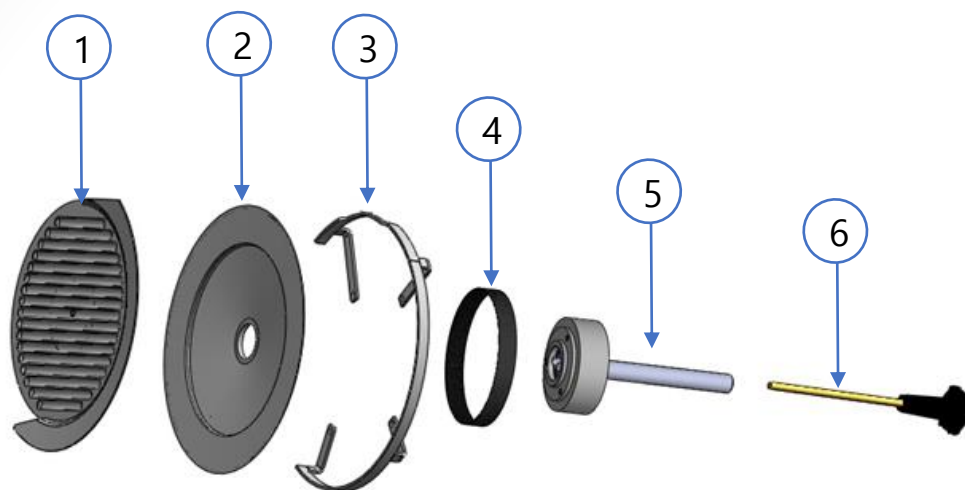
Page 05
KDS-12
Section: Gauge Plate



| ITEM | CODE | DESCRIPTION |
|------|---------|--------------------------------------|
| 1 | M570612 | GAUGE PLATE ASSY. (KSDS12) |
| 2 | M571950 | GAGE PLATE SUPPORT ASSY. (KSD-KSDS) |
| 3 | M570613 | GAUGE PLATE & SUPPORT ASSY. (KSDS12) |

SPARE PARTS MANUAL

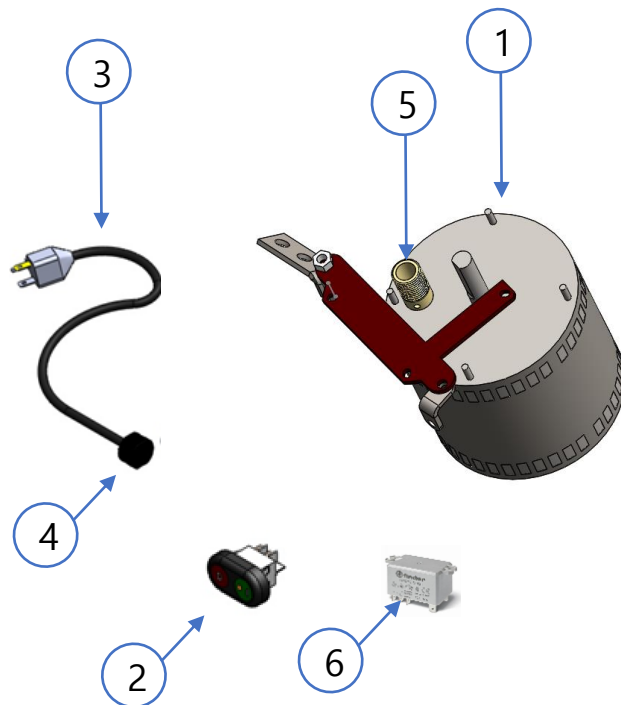
Page 06
 KDS-12
 Section: Cutting System



| ITEM | CODE | DESCRIPTION |
|------|---------|------------------------------------|
| 1 | M570890 | PLATE (KSDS) |
| 2 | M500975 | KNIFE (300mm) |
| 3 | M570017 | KNIFE PROTECTOR |
| 4 | M500935 | BELT # 360-TB2-8 (RB-250,RB-300) |
| 5 | M571940 | BEARING HOUSING (KDS-KS DS) ASSY. |
| 6 | M533817 | PLATE KNOB (KDS) |

SPARE PARTS MANUAL

Page 07
KDS-12
Section: Motor System



| ITEM | CODE | DESCRIPTION | HP | VOLTAGE | PHASES | HZ |
|------|---------|--------------------------|-----|---------|--------|----|
| 1 | M507669 | 1/3HP MOTOR KIT (110VAC) | 1/3 | 110 | 1 | 60 |

| ITEM | CODE | DESCRIPTION |
|------|---------|----------------------------------|
| 2 | M502260 | DOUBLE SWITCH BUTTON |
| 3 | M500154 | POWER CORD 3X14AWG,300V, 75°C UL |
| 4 | M500799 | GROMMET MP7P2 |
| 5 | M574804 | MOTOR COUPLING KIT (KDS, KSDS) |
| 6 | M501243 | THERMAL RELAY 110V |